

Instruction for mounting

PL35 TWO SIDE LIGHT OUTPUT

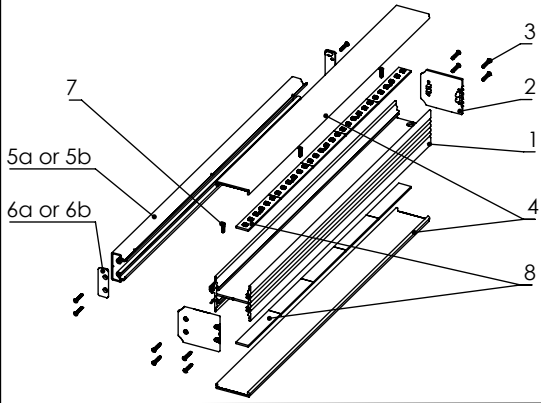
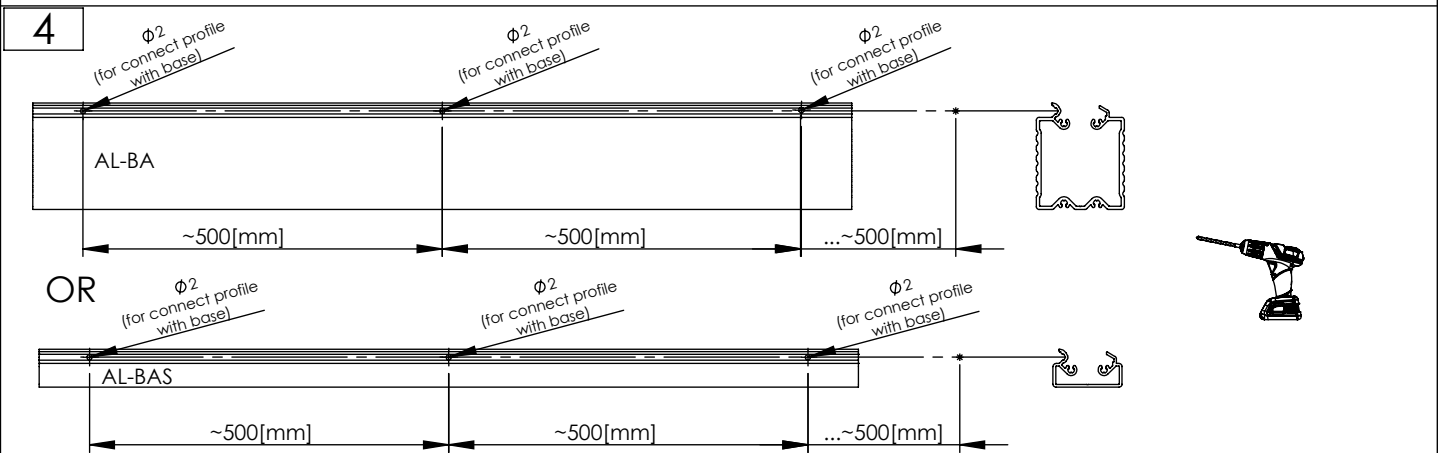
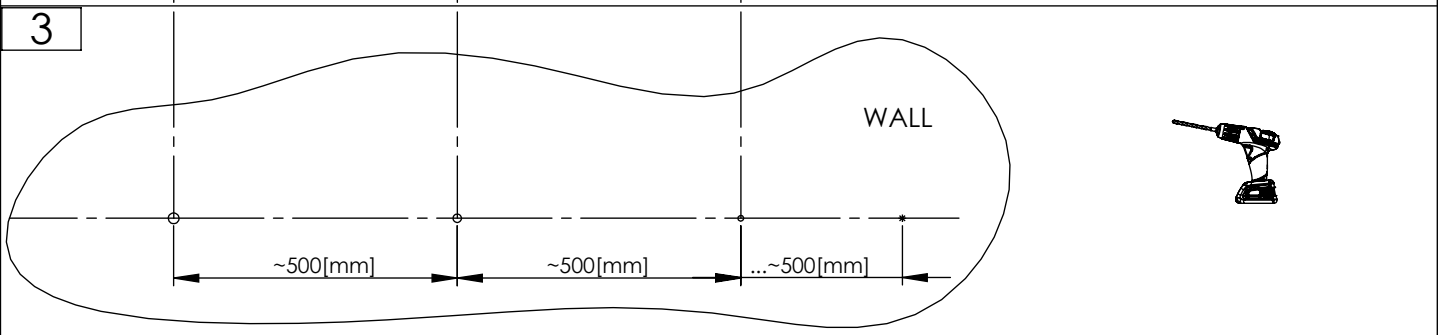
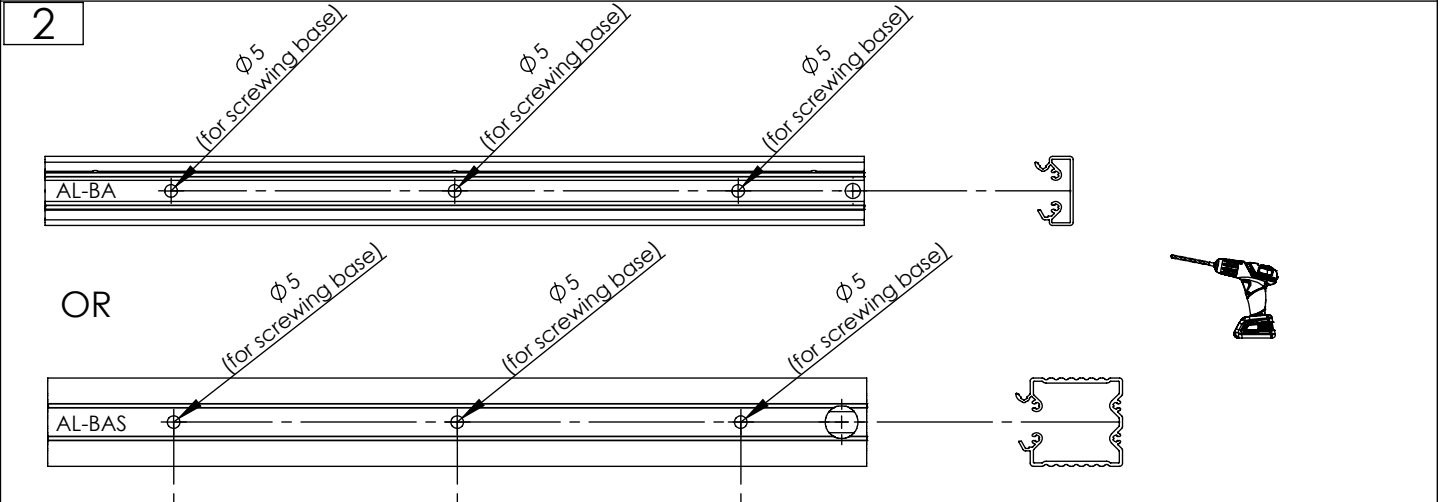
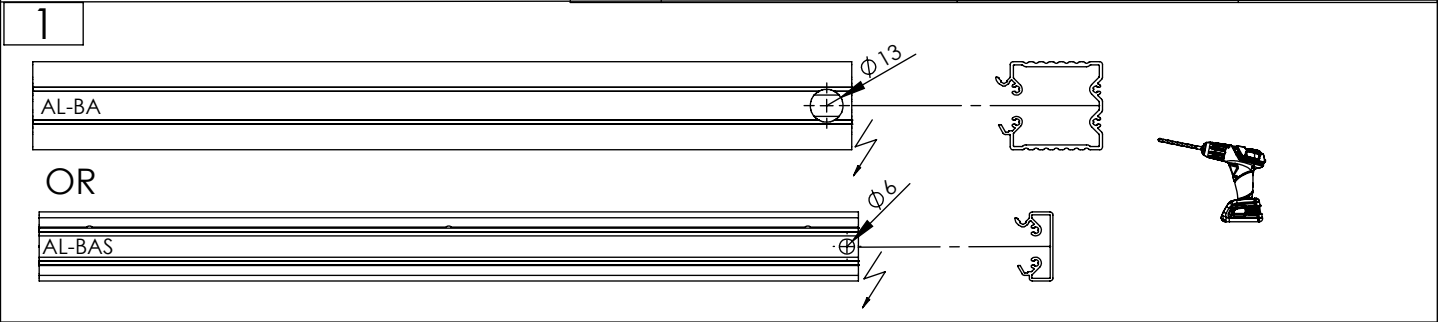
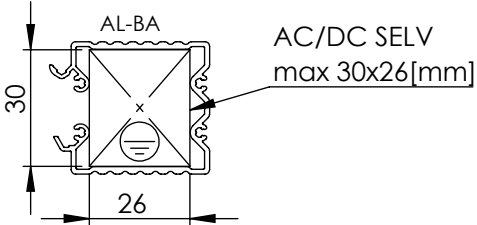


		Tabela LM		
Nr	Code	Comments	Quantity	
1	AL-PL35S	1 or 2[m]	1	
2	EC-PL35D	end cap	2 per 1 luminaire	
3	DIN 7982 ST2.2x13		4 per 1 end cap and 4 per end cap for AL-BA/BS	
4	AB-PL-K/M	top and bottom diffuser 1 or 2[m]	2 per 1 luminaire	
5a	AL-BA	base for power supply 1 or 2[m]	1	
5b	AL-BAS	small base 1 or 2[m]	1	
6a	EC-BA-HI	end cap for AL-BA	2 per 1 luminaire	
6b	EC-BAS	end cap for AL-BAS	2 per 1 luminaire	
7	DIN 7982 ST2.2x9,5	for mounting profile on base	1 per 0,5[m]	
8	12x300 PCB with 3528 LEDs	2 stripes of leds (top and bottom)		



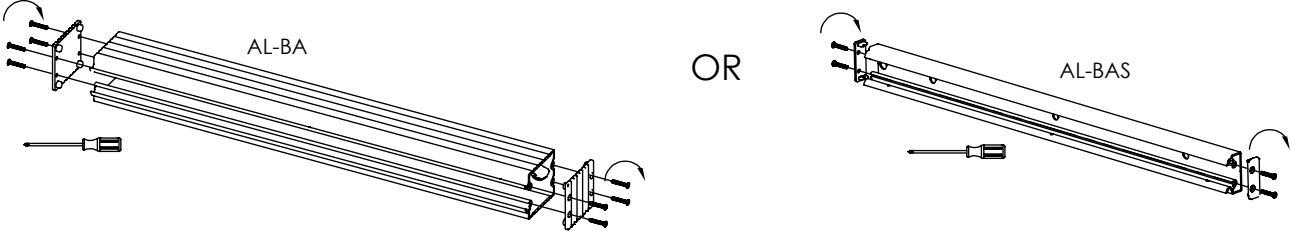
Instruction for mounting

5



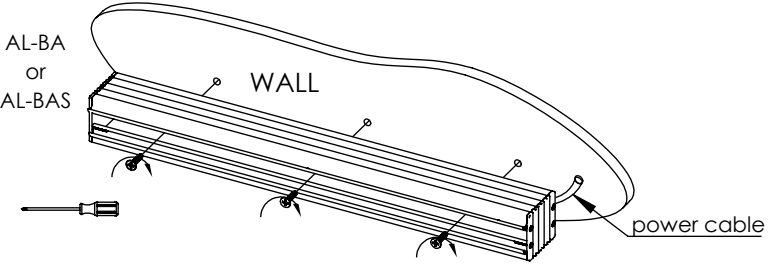
AL-BA
AC/DC SELV
max 30x26[mm]

6



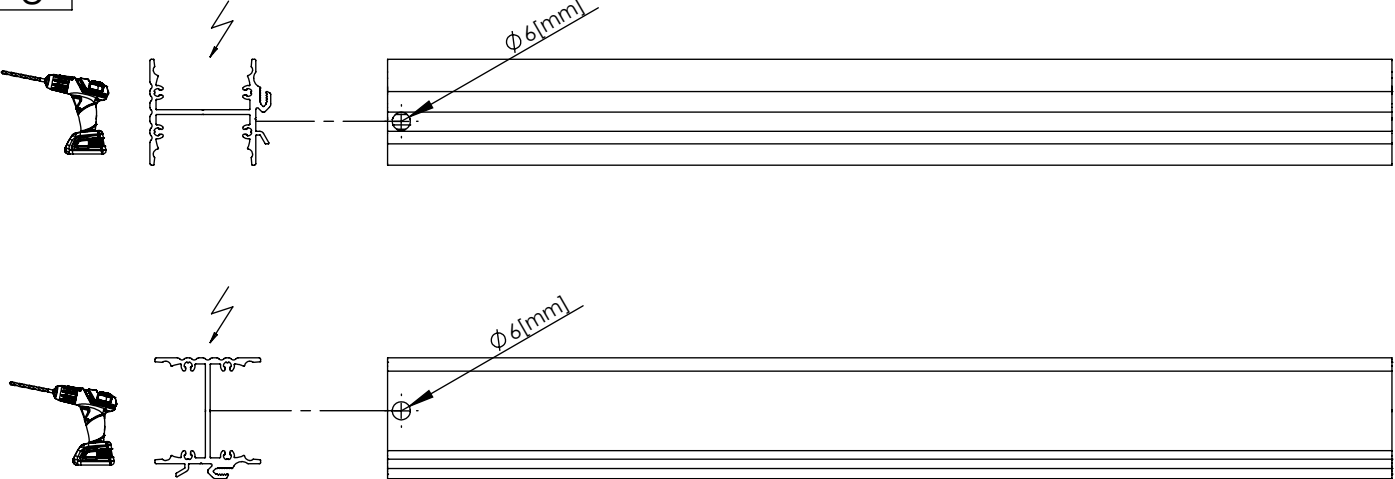
AL-BA OR AL-BAS

7



AL-BA or AL-BAS WALL power cable

8

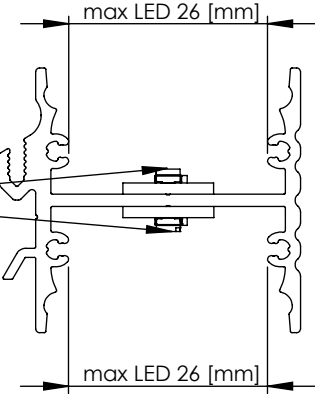


$\Phi 6[\text{mm}]$

9

Use thermally conductive tape

12x300 PCB with 3528 LEDs



max LED 26 [mm]

max LED 26 [mm]

Instruction for mounting

