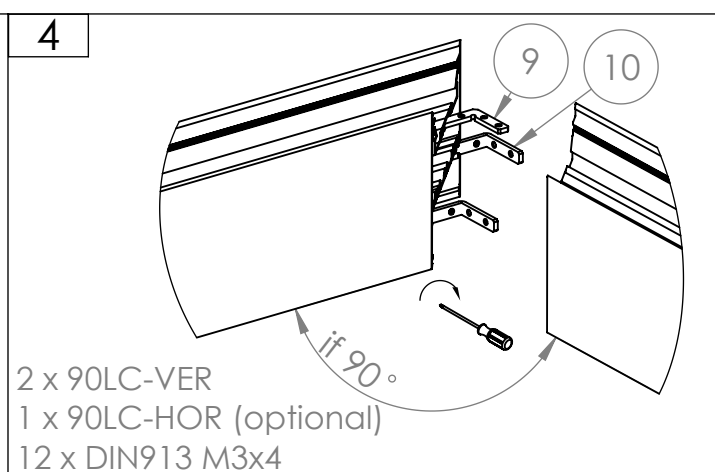
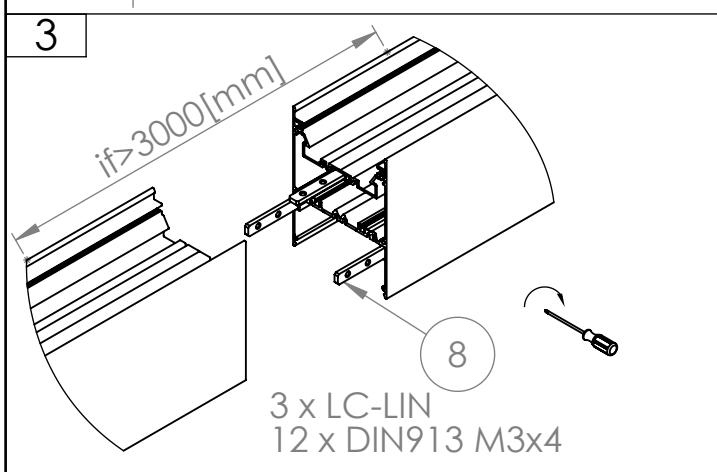
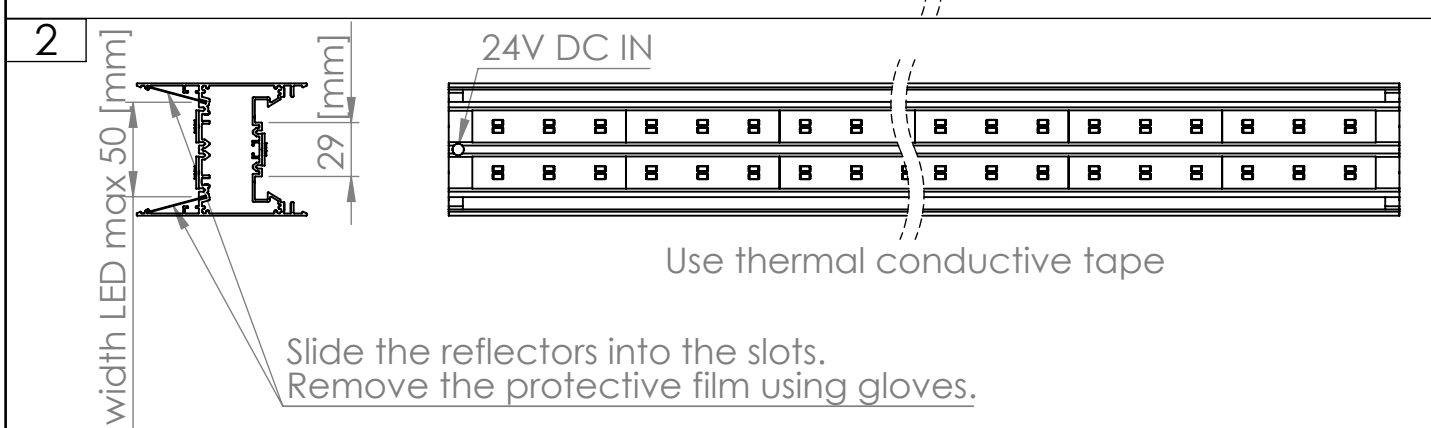
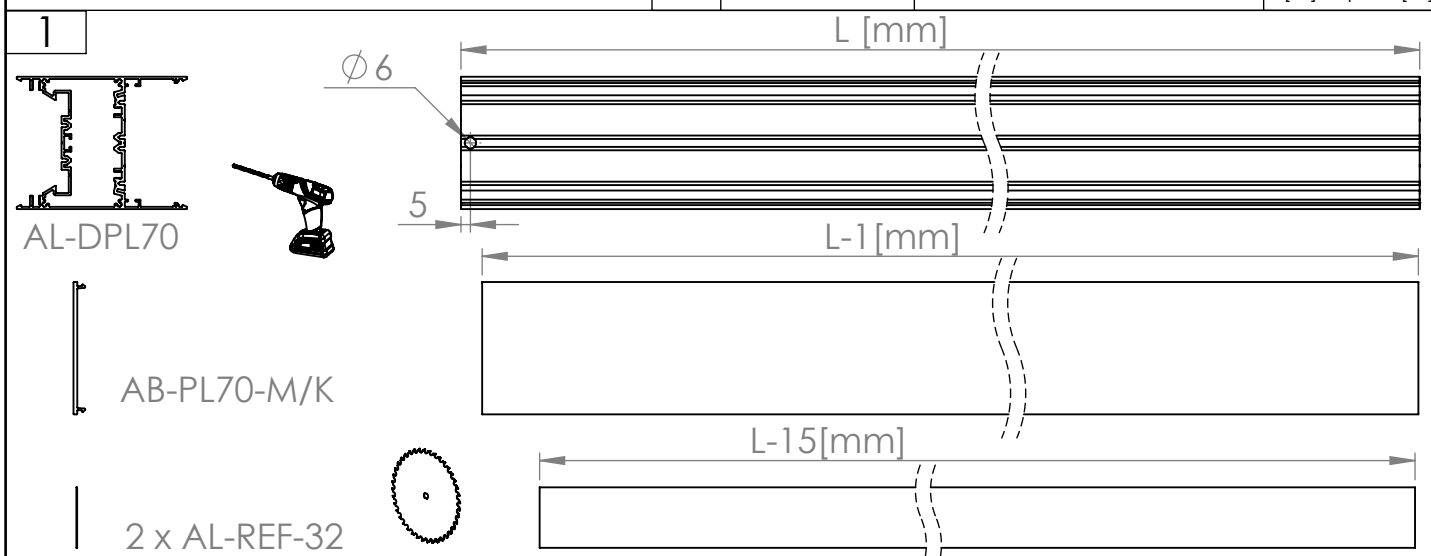
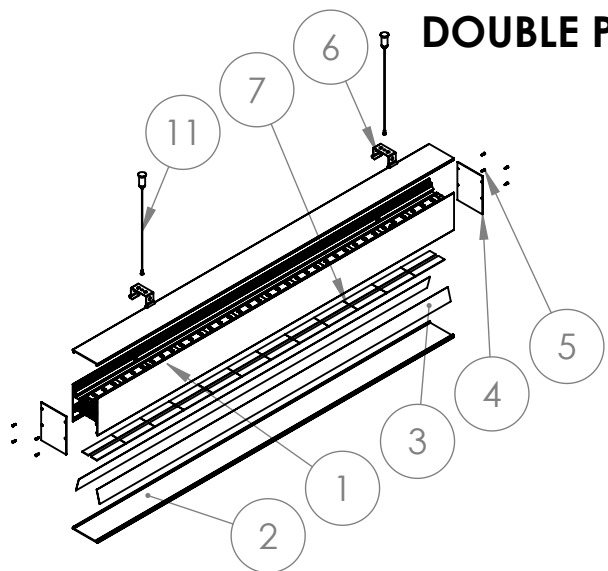


DOUBLE POWER LINE 70 mm

List of luminaire components

Item	Code	Comments	Quantity
1	AL-DPL70	2, 3 or 6,1 [m]	1
2	AB-PL70-M/K	diffuser 2, 3 or 6,1 [m]	1 or 2
3	AL-REF-32	reflector Vega 95 1,98 or 2,98 [m]	2 per profile
4	EC-DPL70	end cap	2 per luminaire
5	DIN 7982 ST2.2x9.5	included	4 per end cap
6	MC-DPL55	spring steel mounting bracket	2 per 1 [m], 3 per 2 [m], 4 per 3 [m]
7	17-DURIS	PCB 24VDC LEDs Osram Duris E5	3 per 1 [m]
8	LC-LIN	linear connector	2-3 per join
9	90LC-HOR	90° horizontal connector	2 per join
10	90LC-VER	90° vertical connector	2 per join
11	MC-CAB-2	set of two	2 per 1 [m], 3 per 2 [m], 4 per 3 [m]

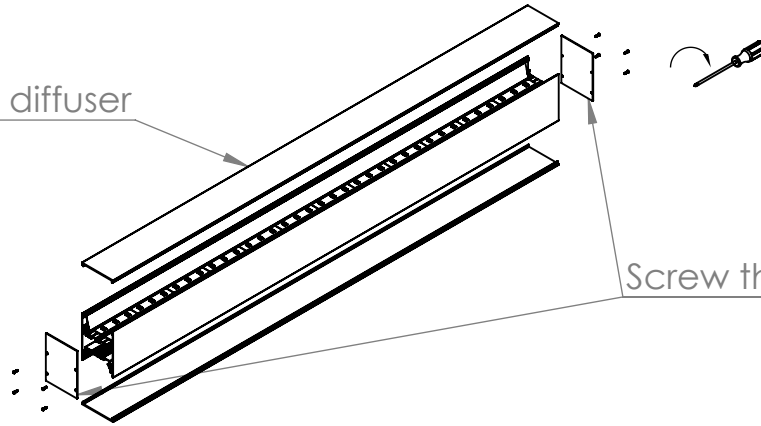


Instruction for mounting

5

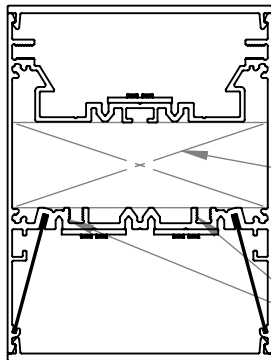
Click the diffuser

Screw the end caps



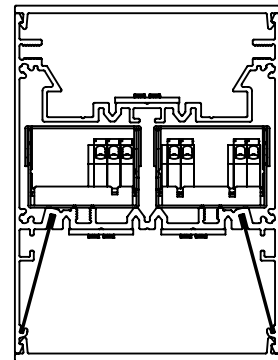
6 You can hide the power supply in profile

Space for the power supply:



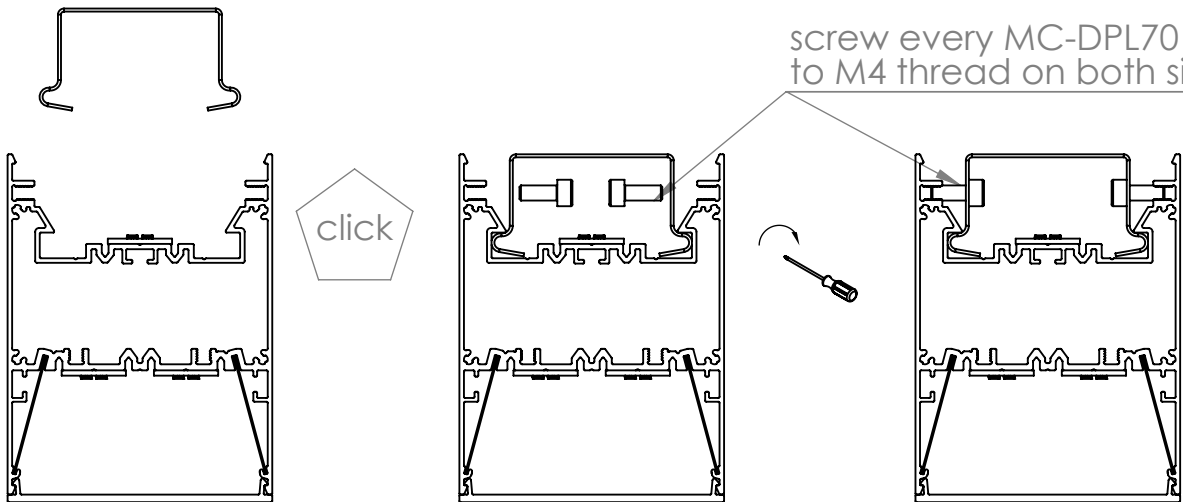
AC/DC SELV
max 22,5 x 67,5 [mm]

M4 thread



7

screw every MC-DPL70
to M4 thread on both sides



8

ST 4,2 x 32 (DIN7982)

Type of screw vary
and depends of the
type of the surface

Drill $\varnothing 5$ holes in up
diffuser for cords

