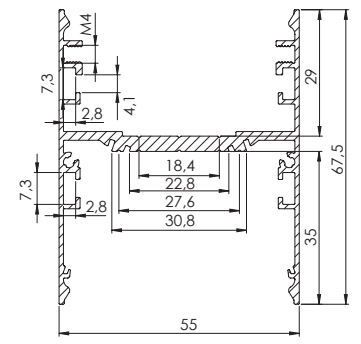


AL-DPL55FL  
 AB-PL55/PRI55-M/K  
 AL-REF32 (x2)  
 30-DURIS

# DPL55FL LED PROFILE

**DPL55FL; 55 x 67,5 mm**

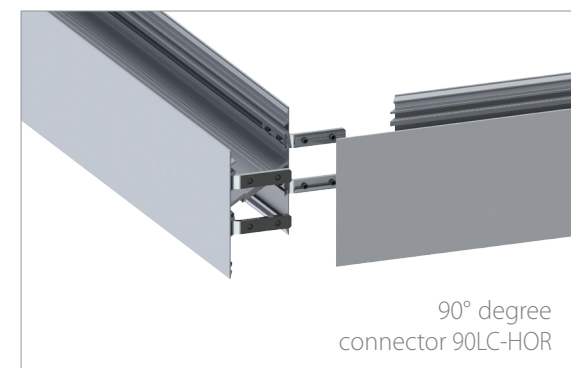
DPL55 FL is a new version of our double-sided LED profile- DPL55. This multi-functional LED profile can be both suspended as well as installed on a surface. Depending on your needs, it can be equipped with two light sources. The heat dissipation capacity of this luminaire is up to 72 W/m. The extrusion can also be equipped with reflectors made of highly polished aluminium with a high light reflectance (> 95%). In addition, the reflectors can be set in two positions to get a narrow or a wide light distribution depending on your needs. Thanks to the innovative mounting thread, the power supply does not adhere to the LED shelf and does not overheat. The profile has been designed so that there are no visible light points. DPL55 FL is available with matt and two prismatic diffusers: transparent and opal. Thanks to the available accessories, such as linear and 90 degree angle connectors, multifunctional mounting brackets and safety cable, it can be easily and securely mounted with a single click.



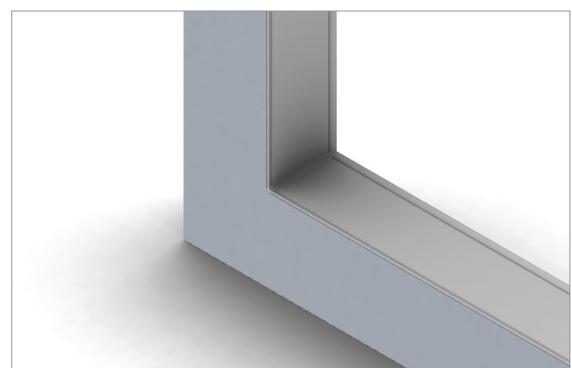
Mounting Brackets  
 MC-DPL55FL



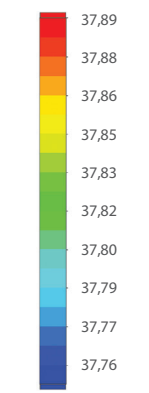
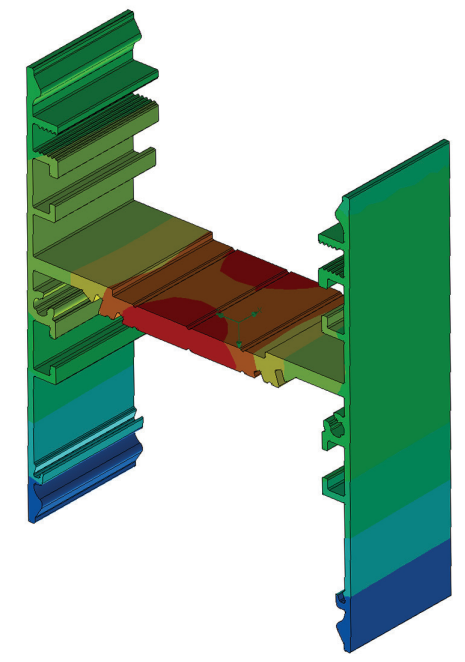
Aluminum end caps  
 EC-DPL55FL



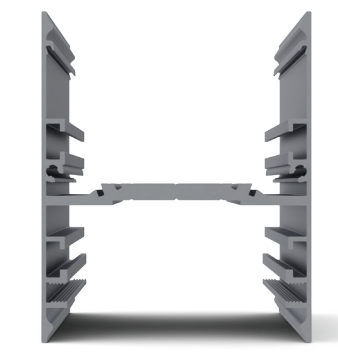
90° degree  
 connector 90LC-HOR



AL-DPL55FL  
 AB-PL55/PRI55-M/K  
 AL-REF32 (x2)  
 30-DURIS  
 EC-DPL55FL



Temperature (Solid) [°C] (direct light)  
 Temperature ambient: 25°C  
 Total power: 36W/m (72 Duris E5 LEDs)  
 LED stripe: 17-DURIS (narrow) / 30-DURIS (wide)  
 Installation mode for test purpose: surface



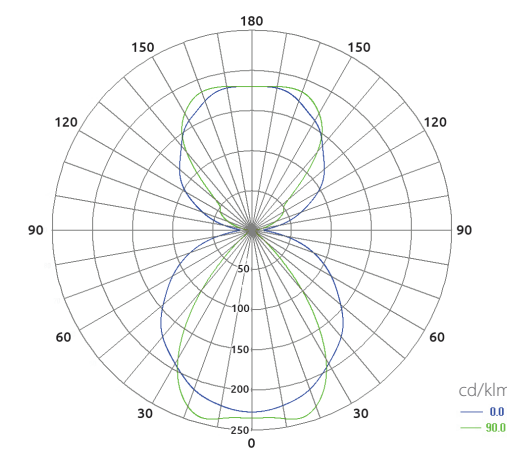
Cross section view of DPL55FL



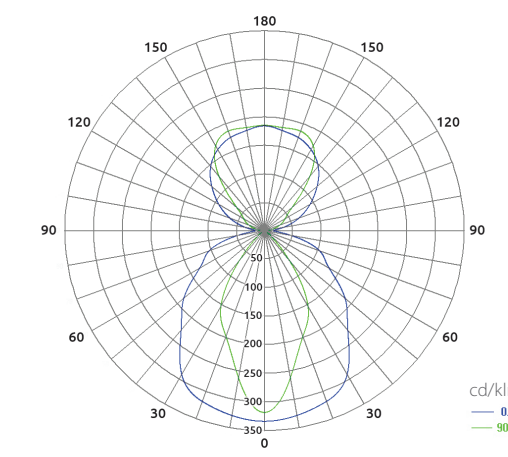
AL-DPL55FL  
 AL-REF32 (x2)  
 30-DURIS  
 AB-PL55/PRI55-M/K

Polar Candela Distribution Plot  
 Using Missed Rays

Light reflector in slot 1: light more uniform



Light reflector in slot 2: light more concentrated (60° degree)



AL-DPL55FL  
 MC-DPL55FL  
 EC-DPL55FL

