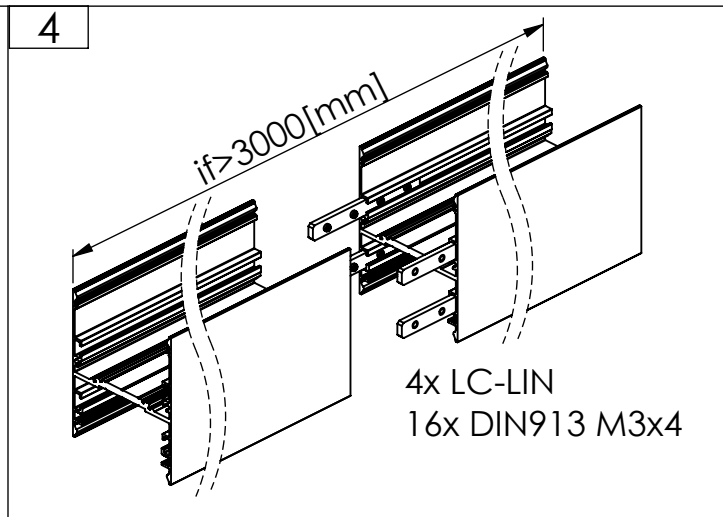
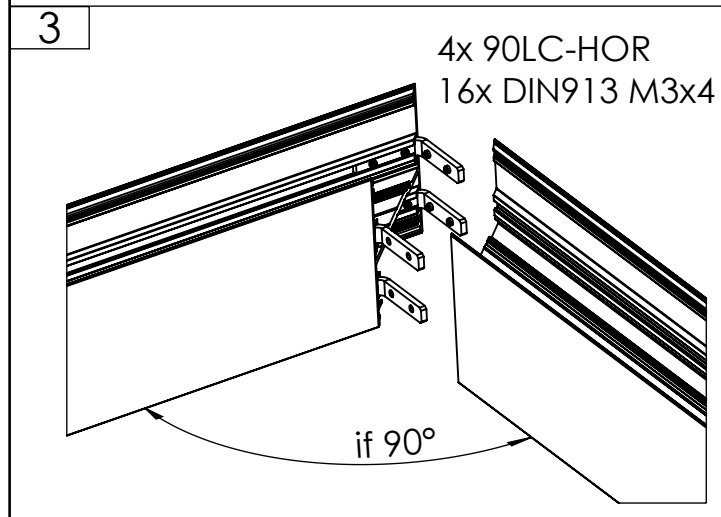
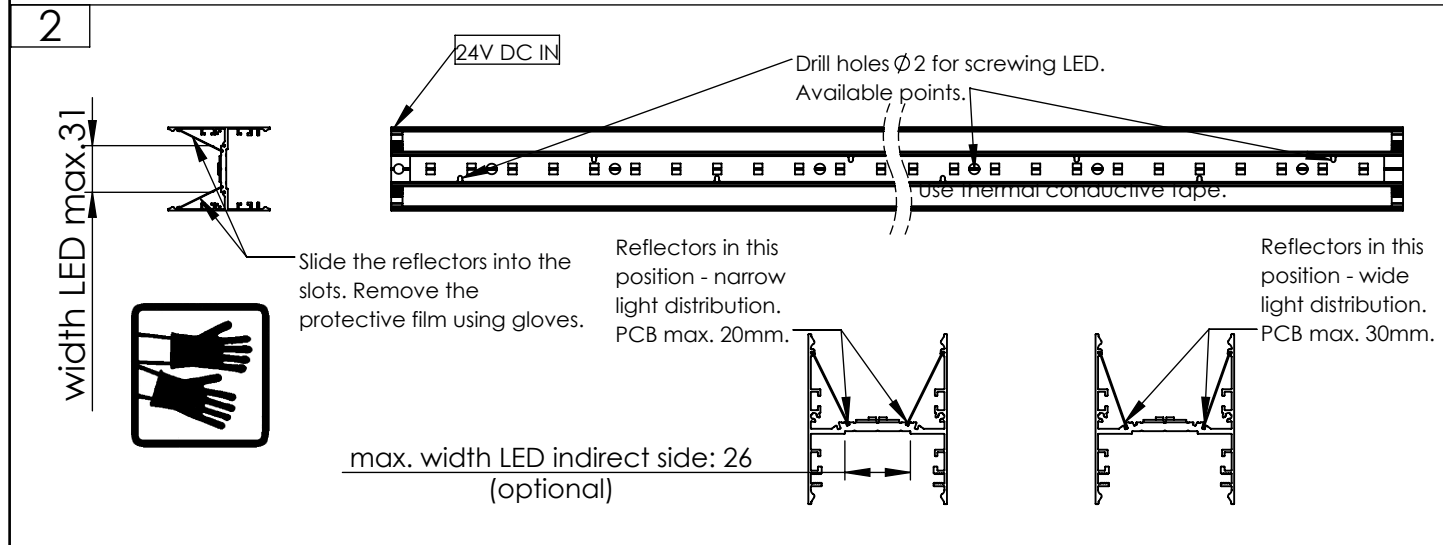
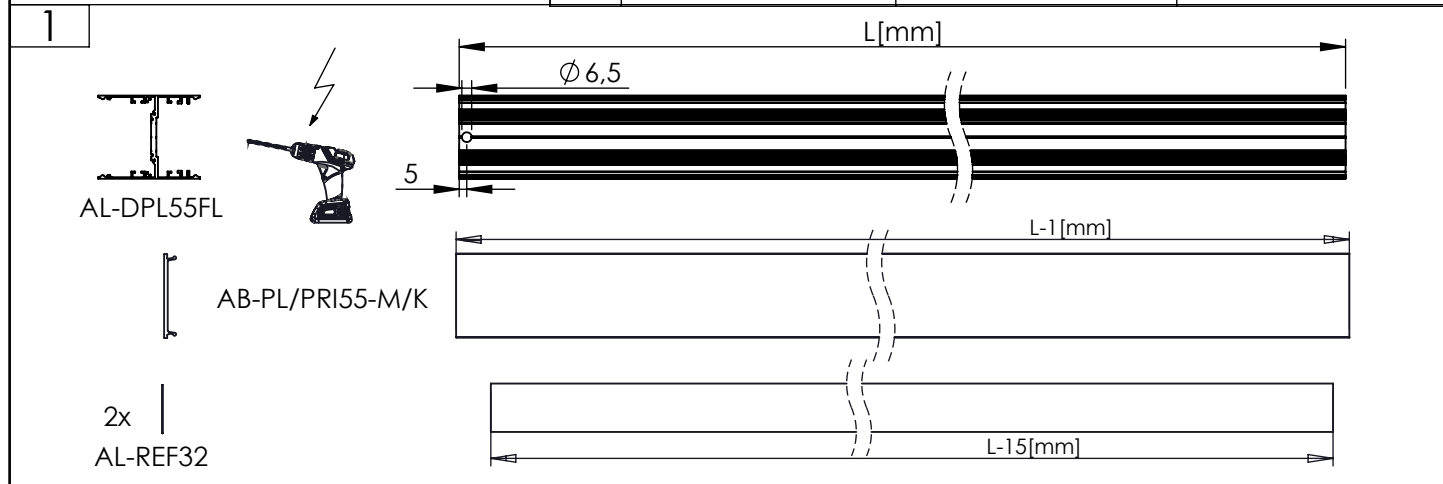


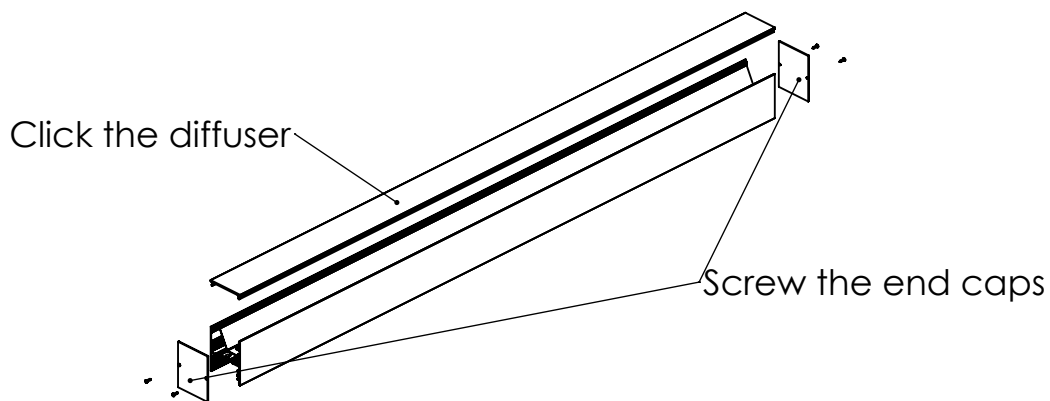
# Instruction for mounting

DPL55 FL PENDANT		Item	Code	Comments	Quantity
		1	AL-DPL55FL	2 or 3[m]	1
		2	17/30 DURIS	PCB 24VDC LEDs OSRAM DURIS E5	3 per 1[m]
		3	AL-REF32	reflector Vega95 1,98 or 2,98[m]	2 per profile
		4	AB-PL55/PRI55-M/K	diffuser 2 or 3[m]	1 or 2
		5	EC-DPL55FL	end cap	2 per luminaire
		6	DIN7982 ST2,2x9,5		2 per end cap
		7	MC-DPL55-STEEL	spring steel mounting bracket	2 per 1[m], 2 per 2[m], 3 per 3[m]
		8	MC-CAB	cord, cord lock, fixity	2 per 1[m], 2 per 2[m], 3 per 3[m]
		9	LC-LIN	linear connector	4 per join
		10	90LC-VER	90° connector	4 per join
		11	DIN913 M3x4		4 per LC-LIN / 90LC-VER

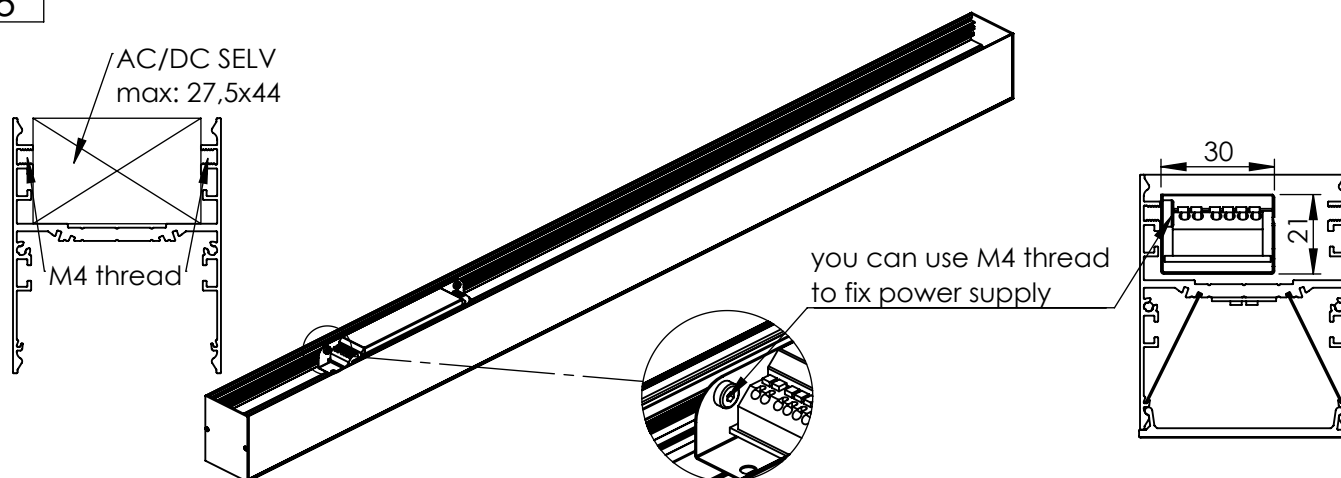


# Instruction for mounting

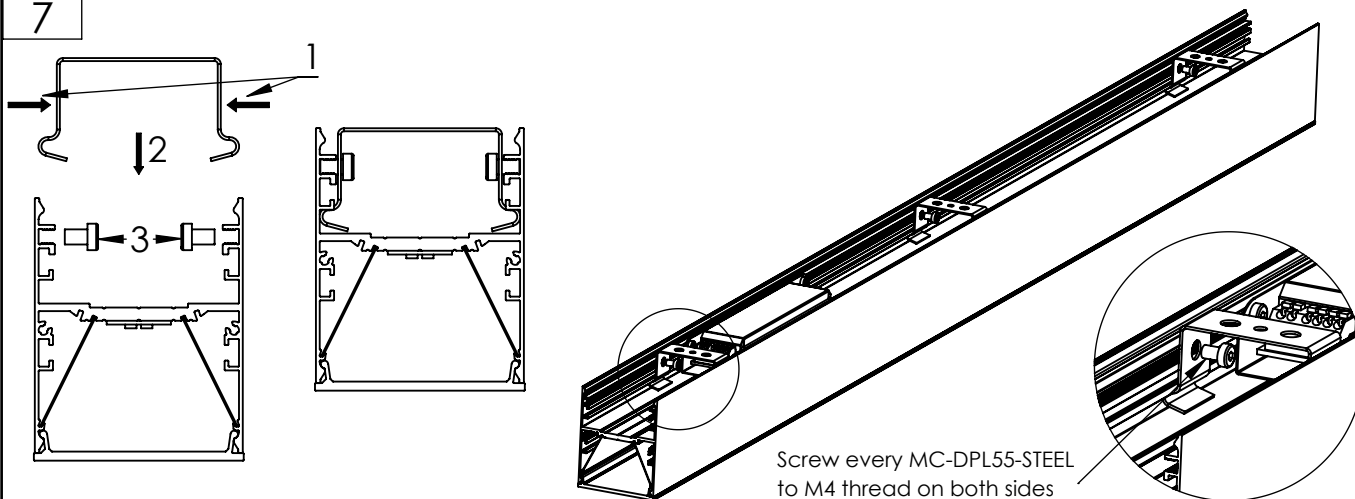
5



6



7



8

