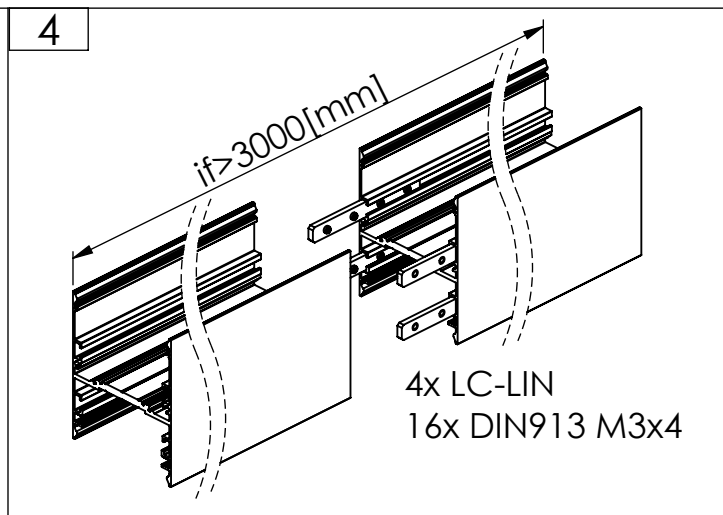
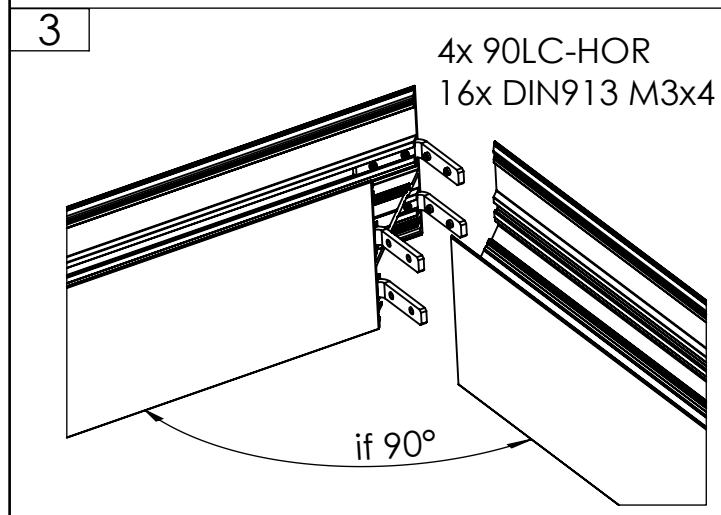
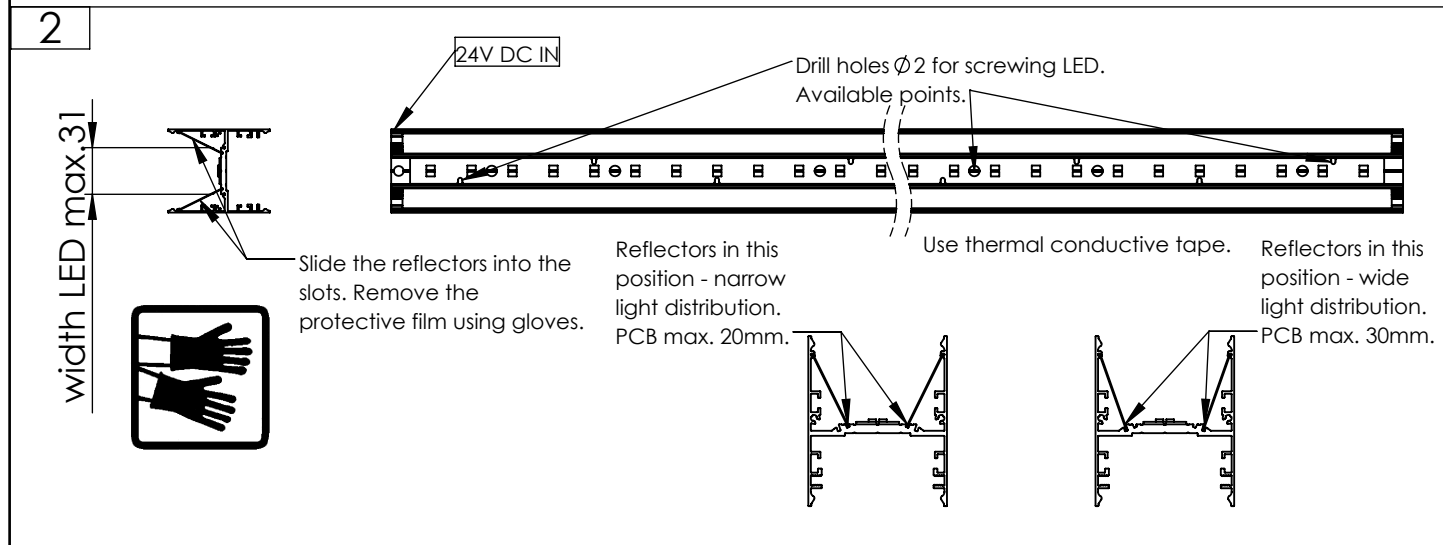
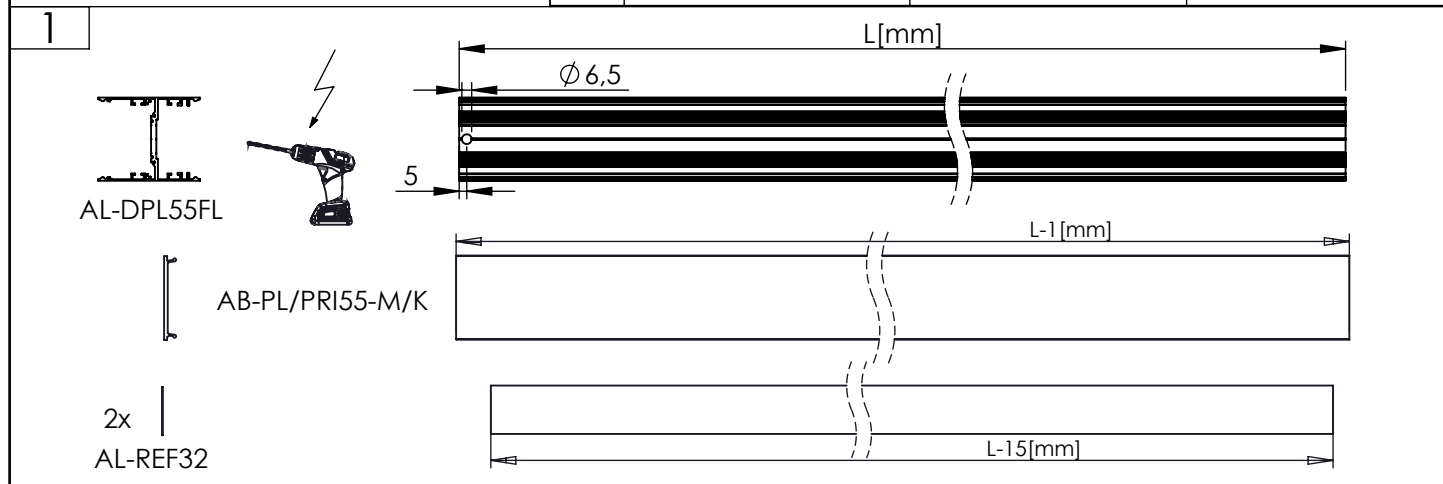
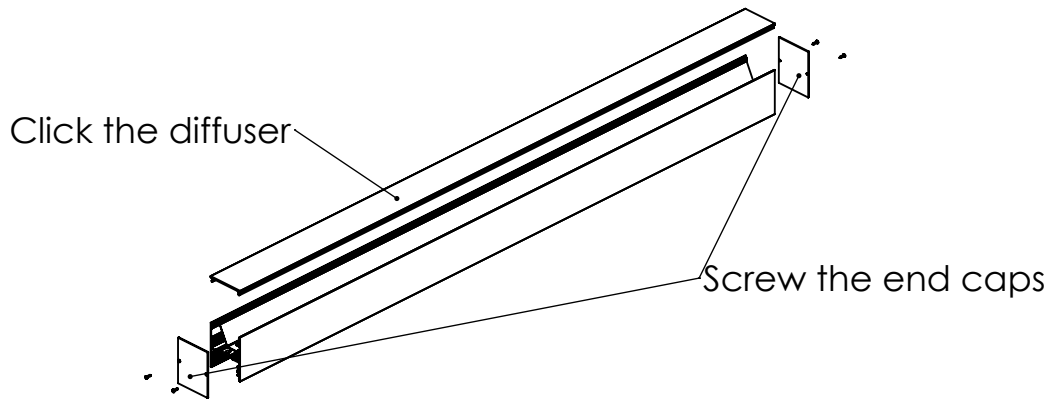


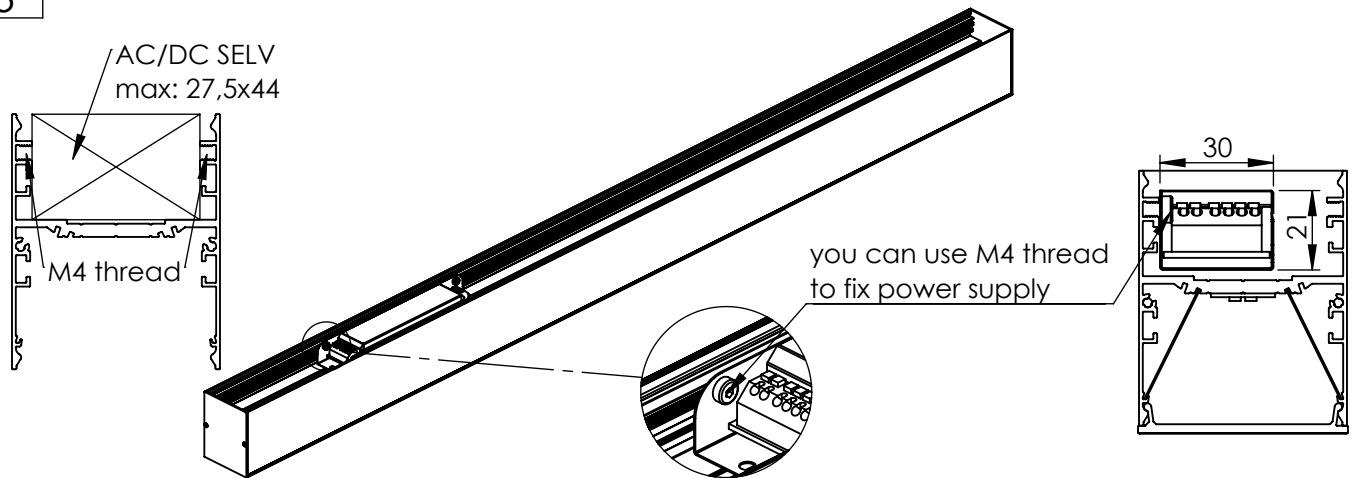
DPL55 FL SURFACE		Item	Code	Comments	Quantity
	1	AL-DPL55FL	2 or 3[m]		1
	2	17/30 DURIS	PCB 24VDC LEDs OSRAM DURIS E5		3 per 1[m]
	3	AL-REF32	reflector Vega95 1,98 or 2,98[m]		2 per profile
	4	AB-PL55/PRI55-M/K	diffuser 2 or 3[m]		1 or 2
	5	EC-DPL55FL	end cap		2 per luminaire
	6	DIN7982 ST2,2x9,5			2 per end cap
	7	MC-DPL55-STEEL	spring steel mounting bracket		2 per 1[m], 2 per 2[m], 3 per 3[m]
	8	MC-LOCK-2			2 per luminaire
	9	LC-LIN	linear connector		4 per join
	10	90LC-VER	90° connector		4 per join
	11	DIN913 M3x4			4 per LC-LIN / 90LC-VER



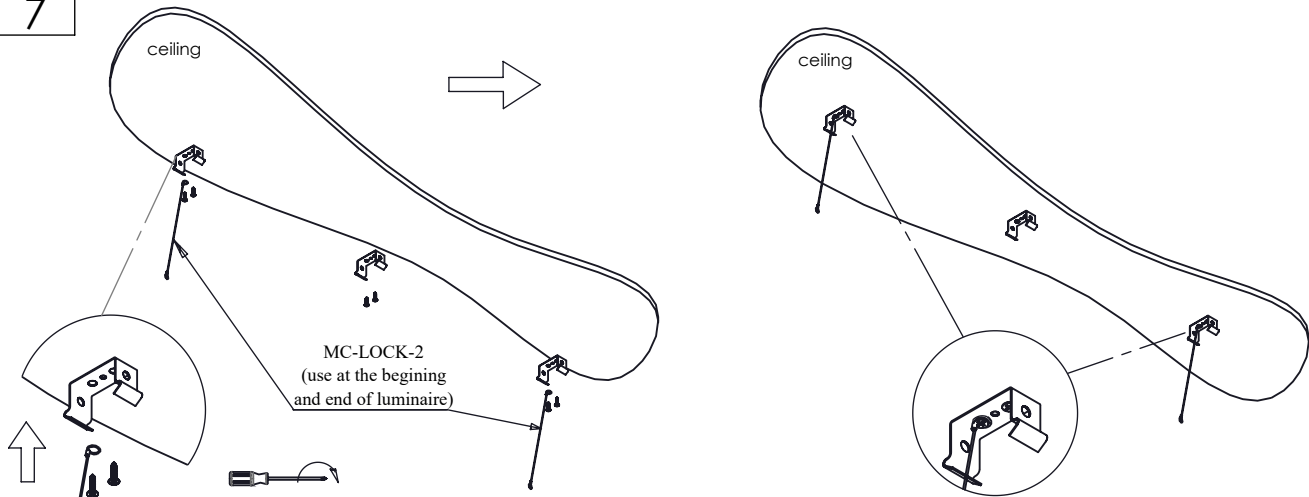
5



6



7



8

