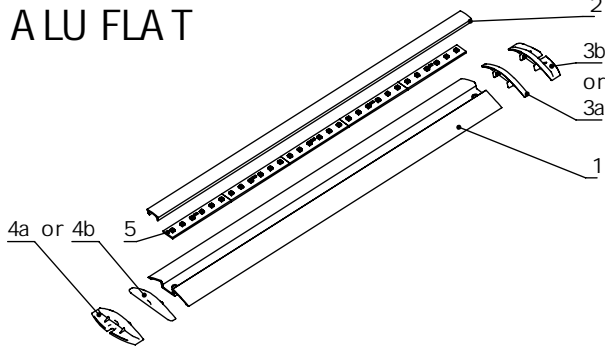


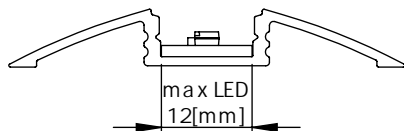
Instruction for mounting

A LU FLAT

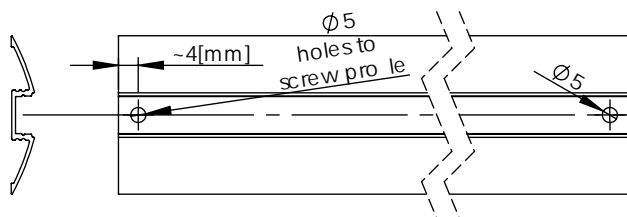


Nr	Code	Comments	Quantity
1	LED-AL-FL	1, 2[m]	1
2	LED-AB-SL-K/M/50M/L30K/M/L60K/M	di user 1 or 2 or 3[m]	1
3a	LED-EC-FL1	ABS end cap w/out cable hole	1
4a	LED-EC-FL2	ABS end cap with cable hole	
3b	LED-EC-FL3	ABS end cap with holding ears, w/out cable hole	
4b	LED-EC-FL4	ABS end cap with holding ears, with cable hole	
5	LED strip IRIS	strips of LED	

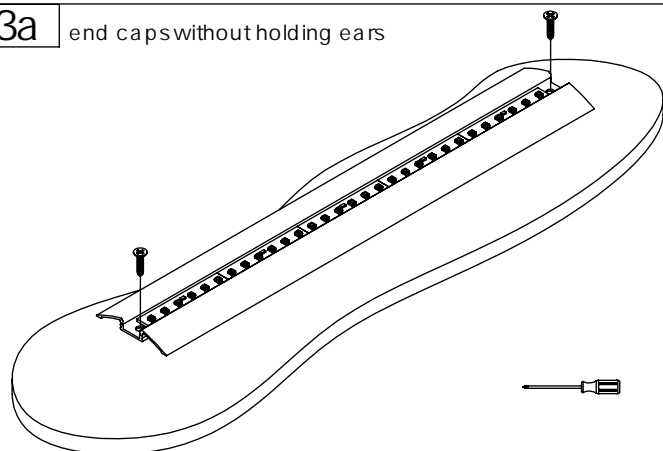
1 Use thermally conductive tape



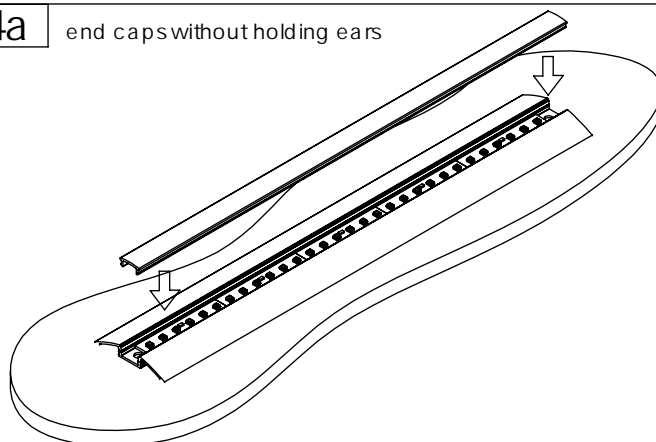
2 When you use end caps without holding ears



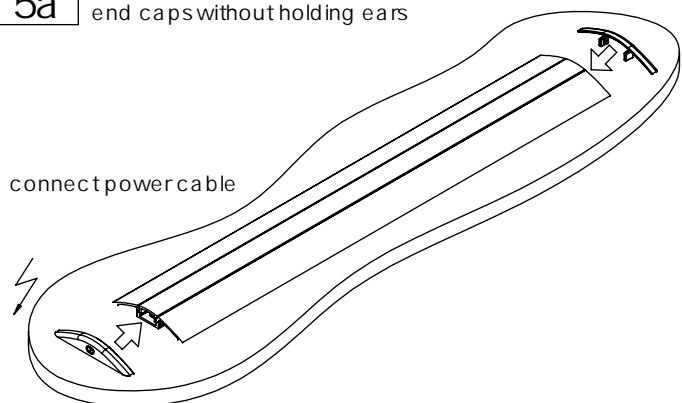
3a end caps without holding ears



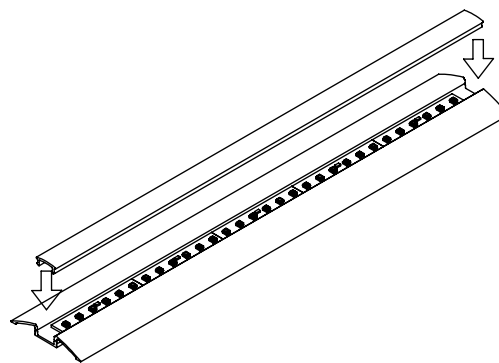
4a end caps without holding ears



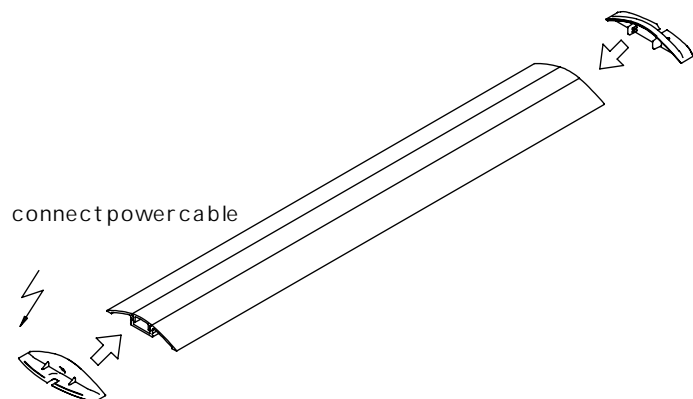
5a end caps without holding ears



3b end caps with holding ears



4b end caps with holding ears



5b end caps with holding ears

