

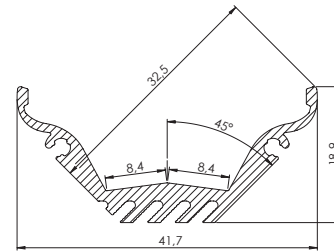


AL-45W  
AB-SLW10-K/M/50M

# ALU45 WIDE LED PROFILE

AL-45W; 18,9 x 41,7 mm

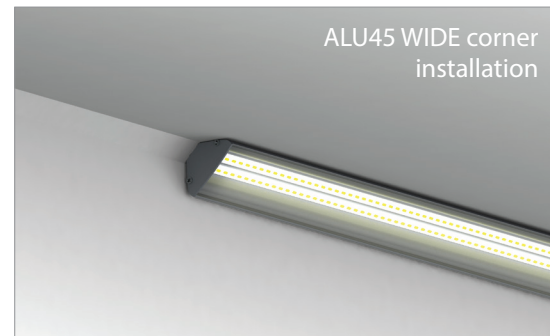
The ALU45 WIDE profile is a high quality corner mount product. Optimised interior design allows for even illumination of the lens over the entire width. To achieve this effect it is necessary to use 2 rows of LED stripes with a maximum width of 8mm each. The specially designed shape allows for a wide angle of illumination of the luminaire which allows it to be used in high and deep recesses to illuminate as large a surface as possible.



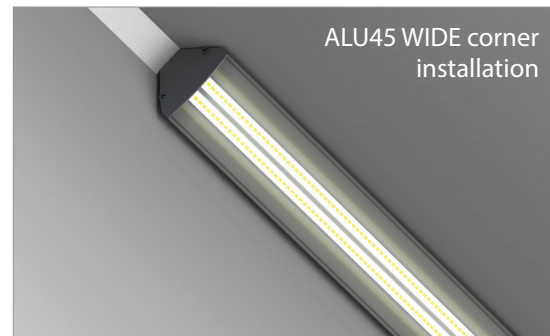
A large mass of profile (0.38kg/m) and a large heat transfer surface (built-in heat sink) allow the LEDs to run at a total power of 25W/m. The luminaire profile and fittings are anodised. The milky shade limits the glare and it looks evenly lit up. Simple assembly allows quick installation.



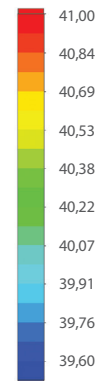
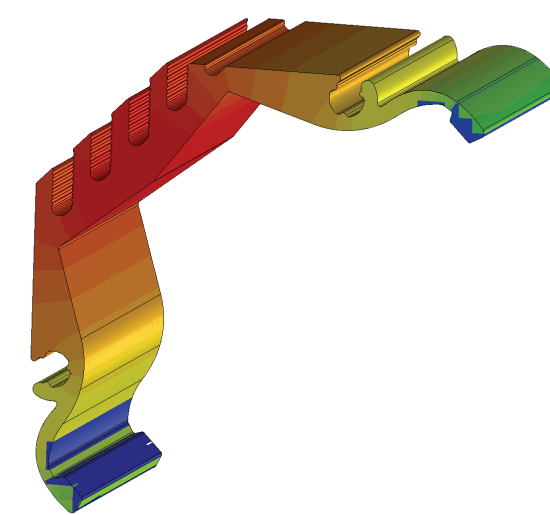
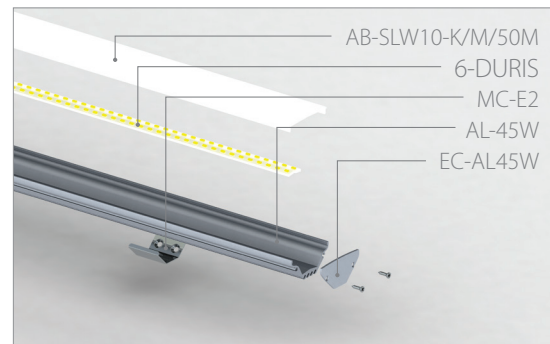
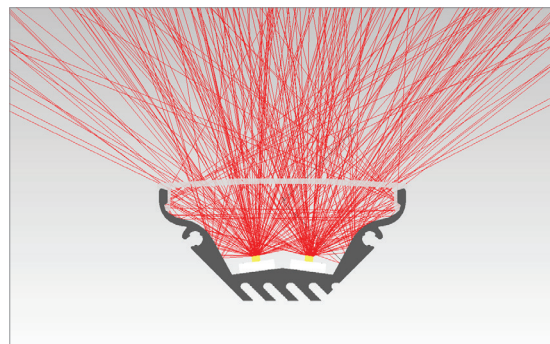
AL-45W  
AB-SLW10-K/M/50M  
6-DURIS  
EC-AL45W



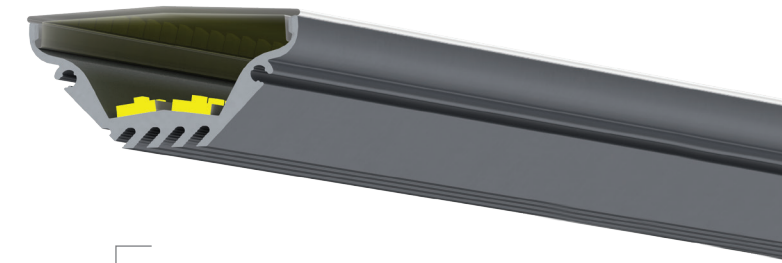
ALU45 WIDE corner installation



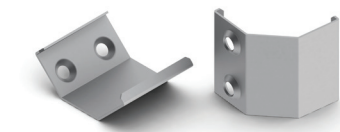
ALU45 WIDE corner installation



Temperature (Solid) [°C]  
Temperature ambient: 25°C  
Total power: 21,2W/m  
(2 x 10,6 W/m - 2 x 126 LEDs)  
LED stripe: 2 x 6-DURIS



AL-45W  
AB-SLW10-K/M/50M  
6-DURIS

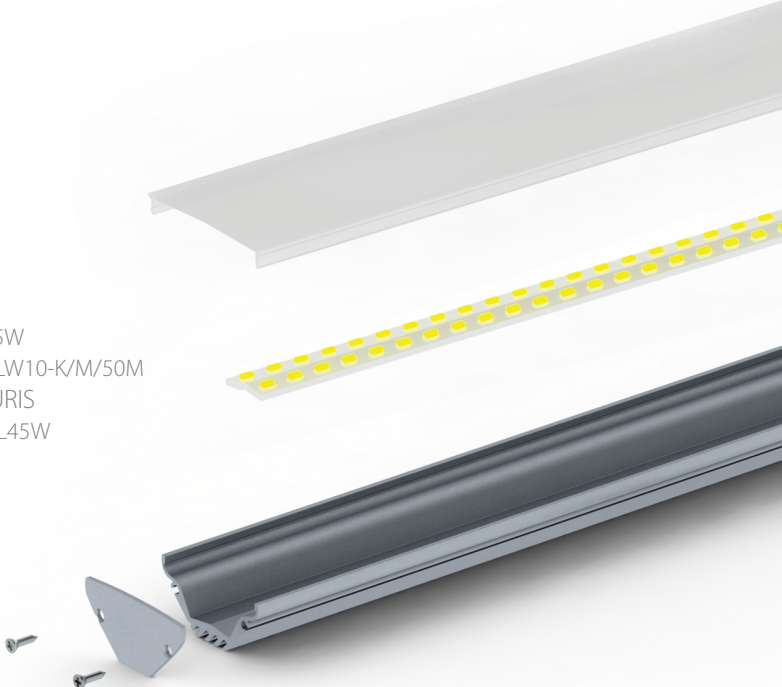
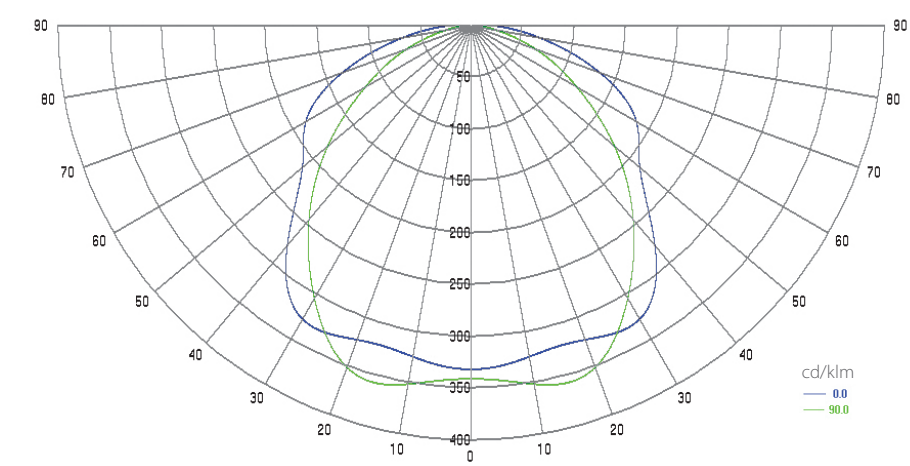


MC-E2  
Mounting Brackets



Aluminum end caps  
EC-AL45W

Polar Candela Distribution Plot  
Using Missed Rays



AL-45W  
AB-SLW10-K/M/50M  
6-DURIS  
EC-AL45W