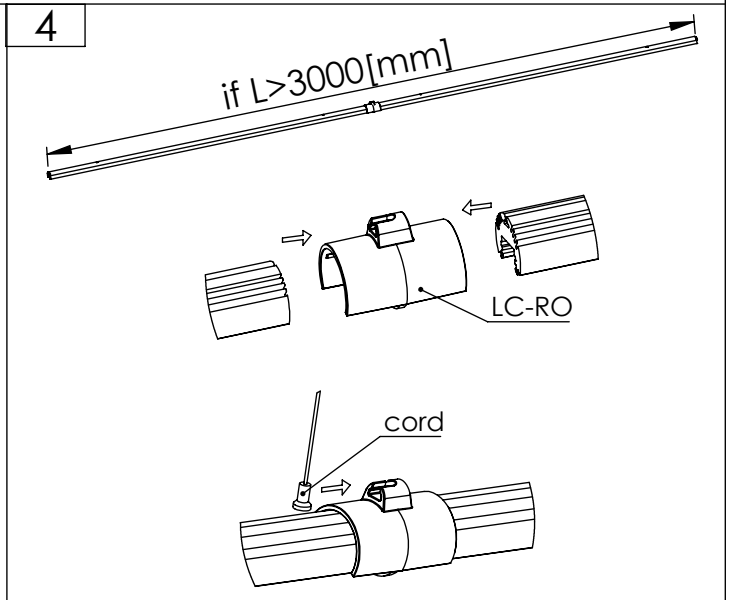
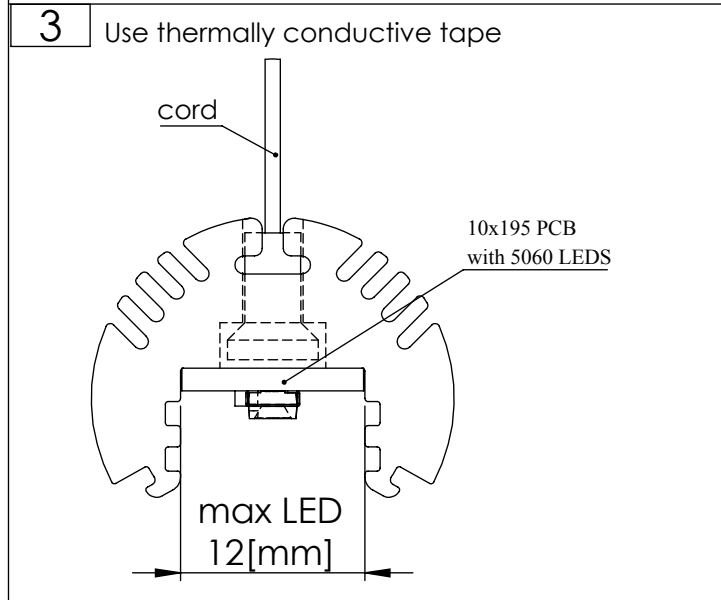
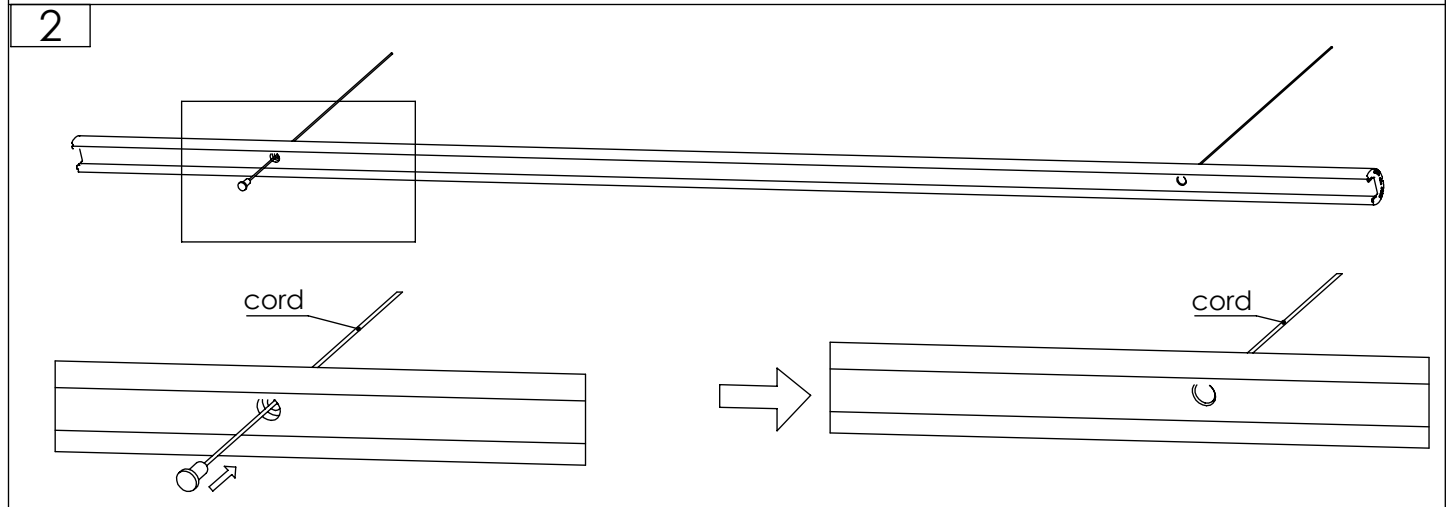
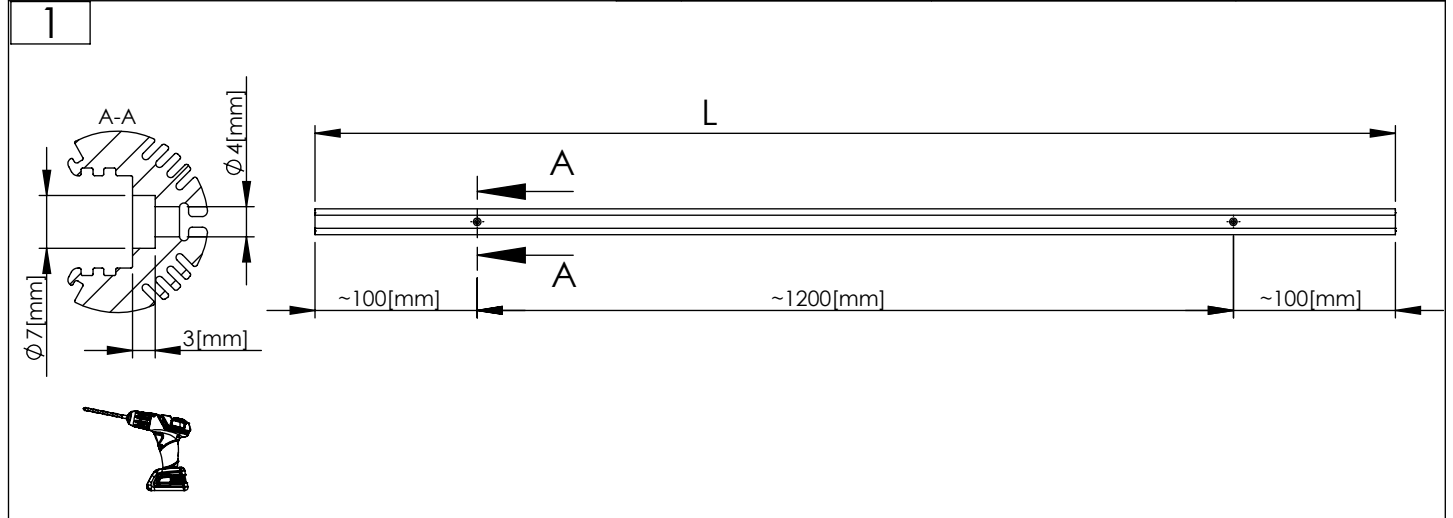


Instruction for mounting

ALU- ROUND (PENDANT)		Nr	Code	Comments	Quantity
	1	AL-RO		1, 2 or 3[m]	1
	2	EC-R3		end cap	1 per 1 luminaire
	3	EC-R4		end cap with cable hole	1 per 1 luminaire
	4	AB-RO-K/L/MK		diffuser 1.2 or 3[m]	
	5	10x195 PCB with 5060 LEDs		LED	
	6a	AL-PLA		ceiling box profile	1 per 1 luminaire
	6b	AL-SPL35		ceiling box profile	1 per 1 luminaire
	7	AL-MAS-3		ceiling box blank diffuser	1 per 1 luminaire
	8a	EC-PLA		ceiling box end cap	2 per 1 luminaire
	8b	EC-SPL35		ceiling box end cap w/out screws	
	9	DIN 7982 ST2.2x13			2 per 1 EC-PLA
10	MC-CAB2		cord, cord lock, fixity	2 per 1[m], 2 per 2[m], 3 per 3[m]	
11	LC-RO		linear connector (compatible with Reutlinger cable suspension)	if AL-RO is > 3[m]	



Instruction for mounting

