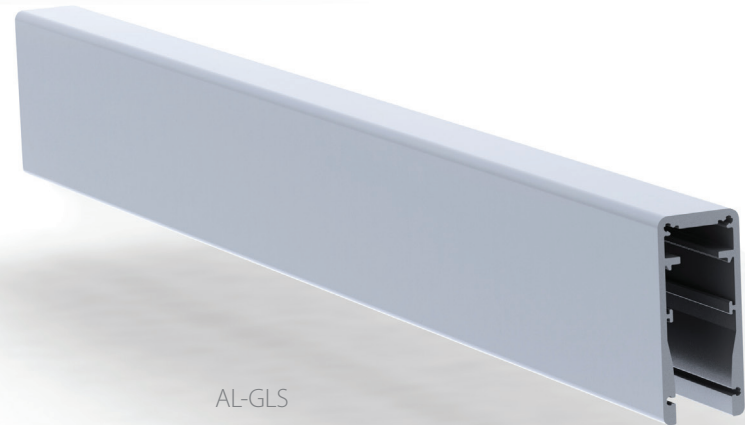


AL-GLS
GA-TRA



AL-GLS

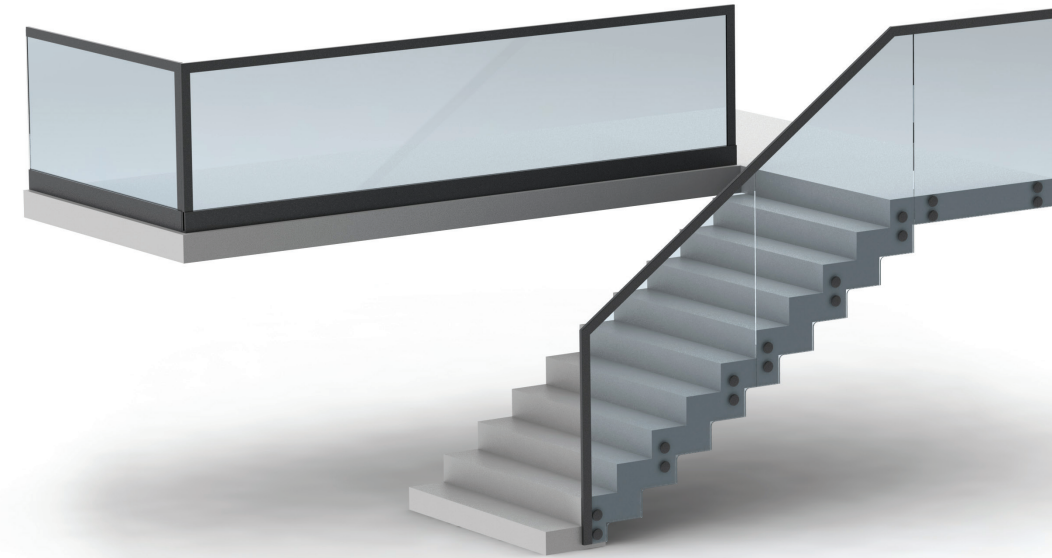
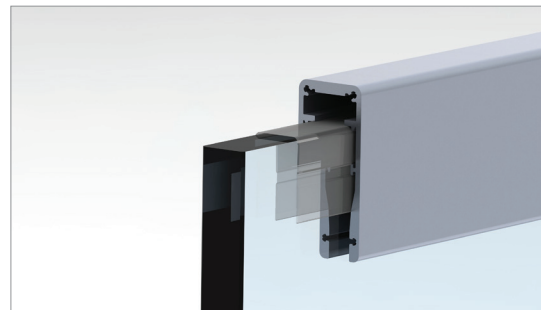
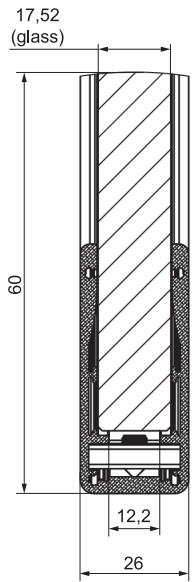
ALU-GLASS HAND RAIL

ALU-GLASS; 60 x 26mm

Alu-Glass hand rail profile was design and made by us as the glass barriers finish profile with the glass edge LED illumination option. The profile is dedicated for the glass barriers made from two glass plates of 8mm each with the safe foil between. The total thickness of the glass for this profile should be around 17,5mm. The hand rail profile finish the top of the glass barrier. The profile is not able to hold any weight and is not made as the base profile for the glass barriers. The installation of the profile is simple and silicone free. The installation silicone gasket is placing over the glass edge then the profile is placed over. The gasket fasten the profile with the glass firmly. Profile and the gasket is simply removable if needed.

The light from the LEDs is going thru the gasket till reach the edge of the glass.

Alu-Glass hand rail profile is available on stock in 2m and 3m lengths in finish of silver and mat black anodizing color.



ALU GLASS HAND RAIL PROFILE MOUNT

