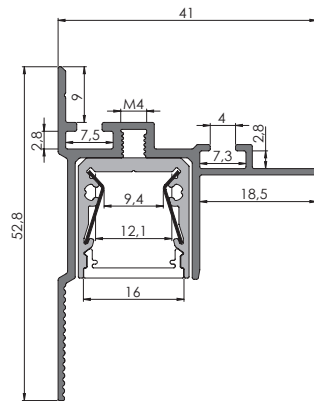


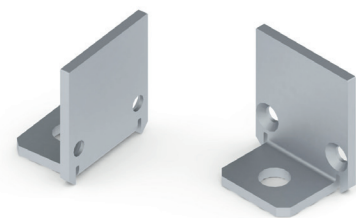
ALU COVE 2 LED PROFILE

ALU-COVE 2; 52,8 x 41 mm

Succeeding to 'Cove1', our newest extrusion 'Cove2'. Made of high-quality raw aluminum, designed to be recessed into wall-ceiling. It is devised to be used together with our newest 'SL15 FL' as a slide-in insert. This feature simplified installation, making it a two-step process: using perforated edges, the base is screwed then plastered into a wall and ceiling & the insert profile slides in, secured by M4 thread screw. Additionally, cove profile is suitable for linear connectors allowing to create uniform line of light up to desired length. Together with it come dedicated end caps making it a complete and clean design. All above features provide out-and-out package, able to wash down a wall with homogenous light, without complicated installation process.

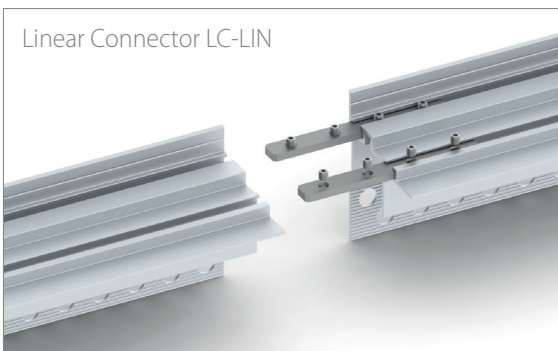
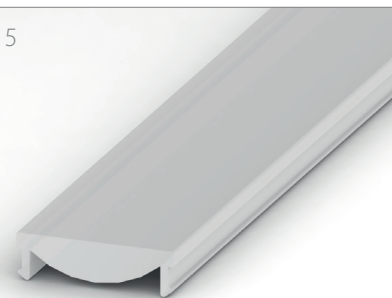


AL-COVE2
AL-SL15 FL
AB-SL15 FL
AL-REF13-B60

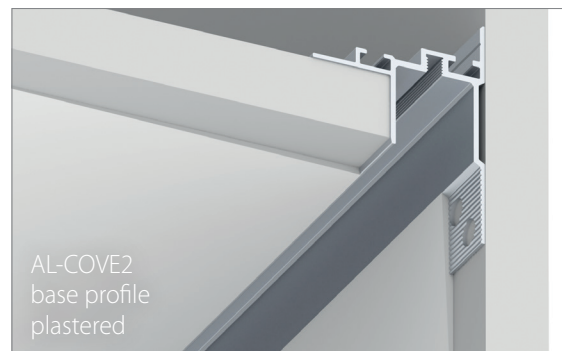


Aluminum end caps
EC-SL15 FL-H1

AB-SL15 FL-L15

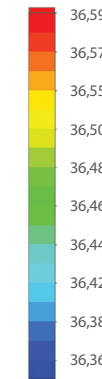
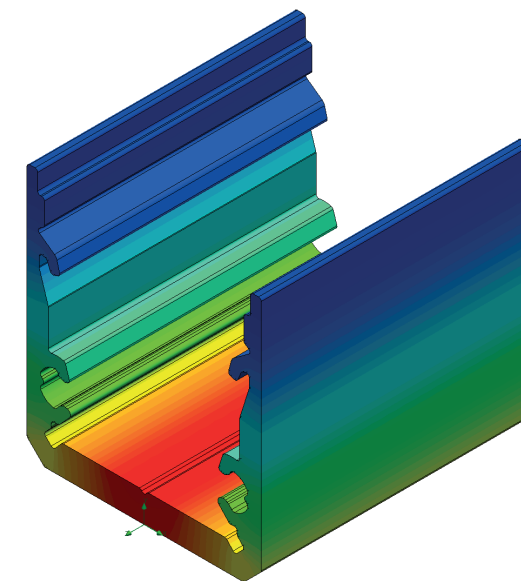


Linear Connector LC-LIN



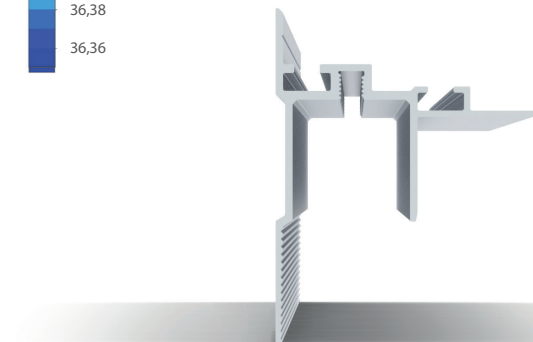
AL-COVE2
base profile
plastered

AL-SL15 FL
AB-SL15 FL
AL-REF13-B60
6-DURIS
EC-SL15 FL-H1

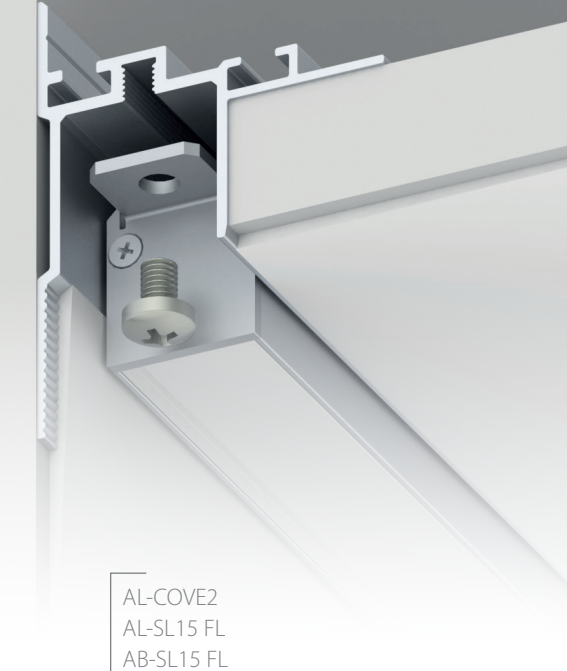


Temperature (Solid) [°C]

Ambient temperature : 25° C
Total power : 10 W/m (126 LEDs)
LED stripe: 6-DURIS
Installation mode for test
purpose: surface



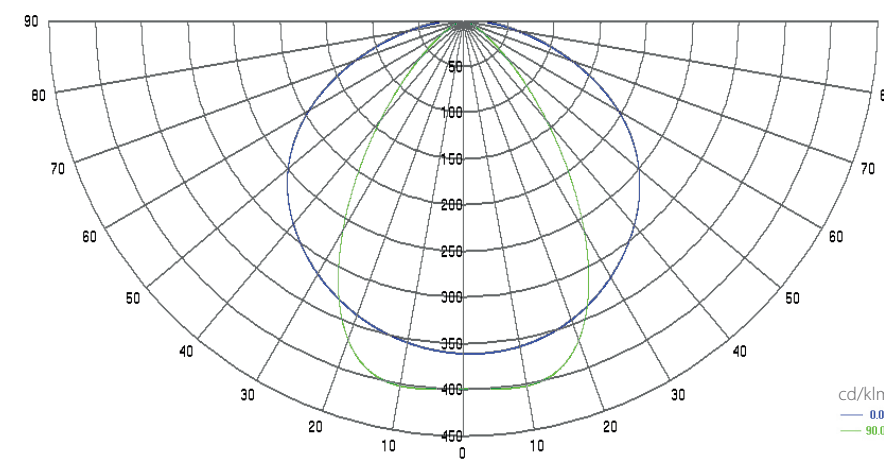
Cross section view of ALU COVE 2



AL-COVE2
AL-SL15 FL
AB-SL15 FL
AL-REF13-B60
EC-SL15 FL-H1

Polar Candela Distribution Plot Using Missed Rays

Light distribution diagram with AB-SL FL / with reflector



Light distribution diagram with AB-SL15 FL-L15 / without reflector

