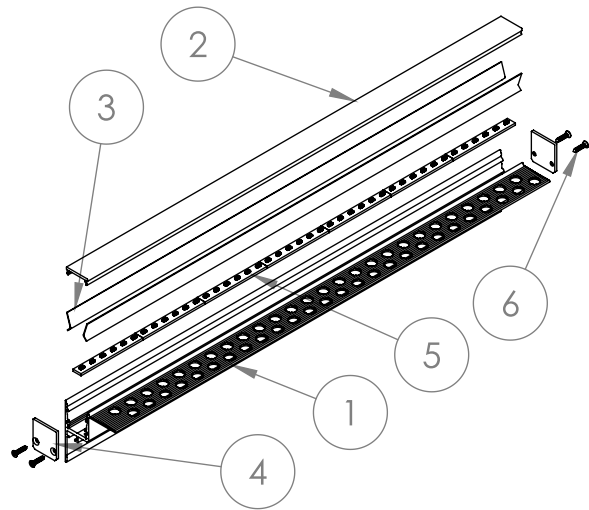


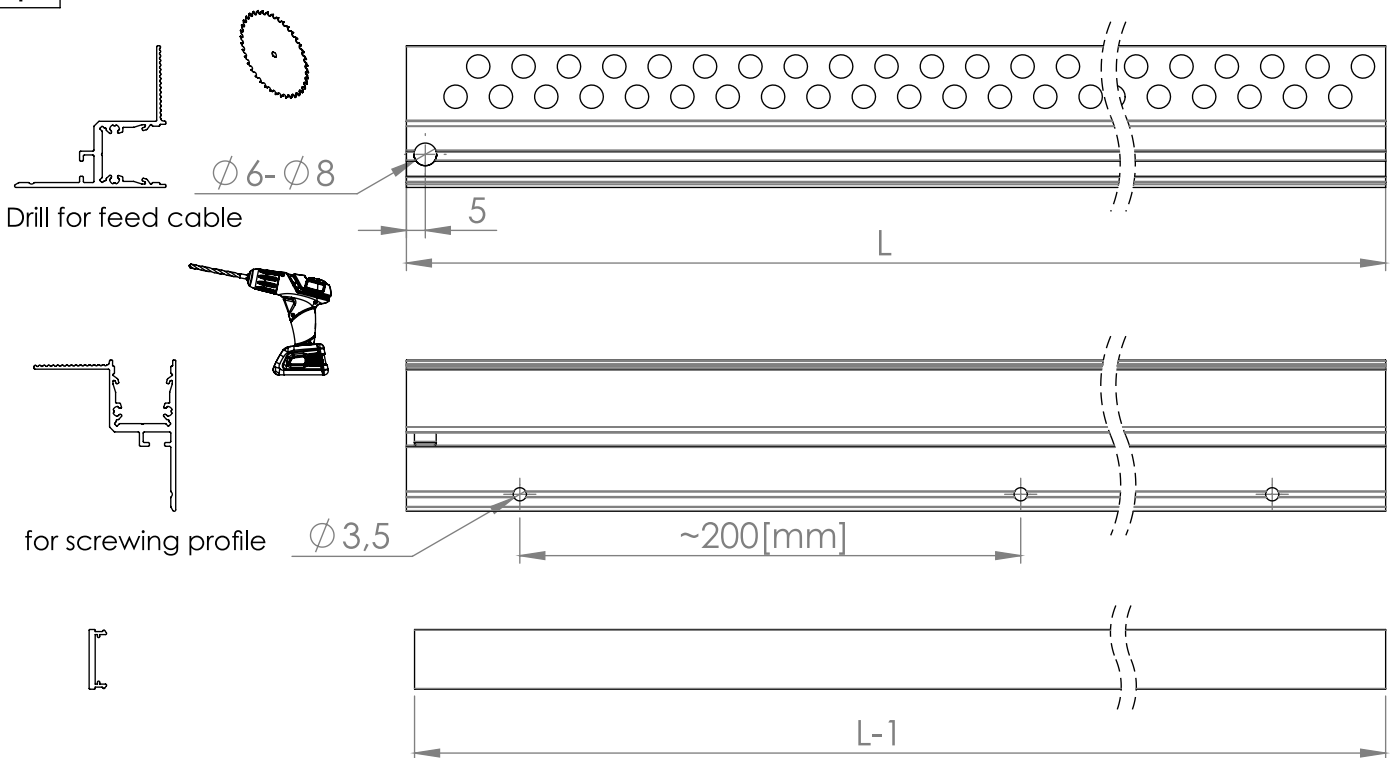
# ALU-CEILING US



List of luminaire components

Item	Code	Comments	Quantity
1	AL-CE US	2, 3 or 6.1 [m]	1
2	AB-SL15 FL	2, 3 or 6.1 [m]	1
3	AL-REF13-B60	reflector Vega 95 1,98 or 2,98 [m]	2 per profile
4	EC-SL15 FL	end cap	2 per luminaire
5	6-DURIS	PCB 24VDC LEDs Osram Duris E3	3 per 1 [m]
6	DIN 7982 ST2.2x9.5	in set	2 per end cap

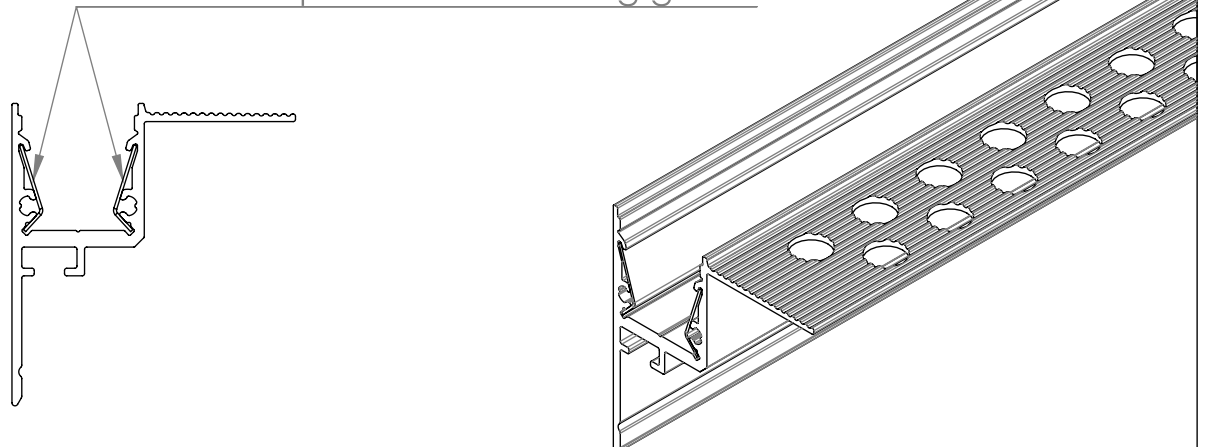
1



2

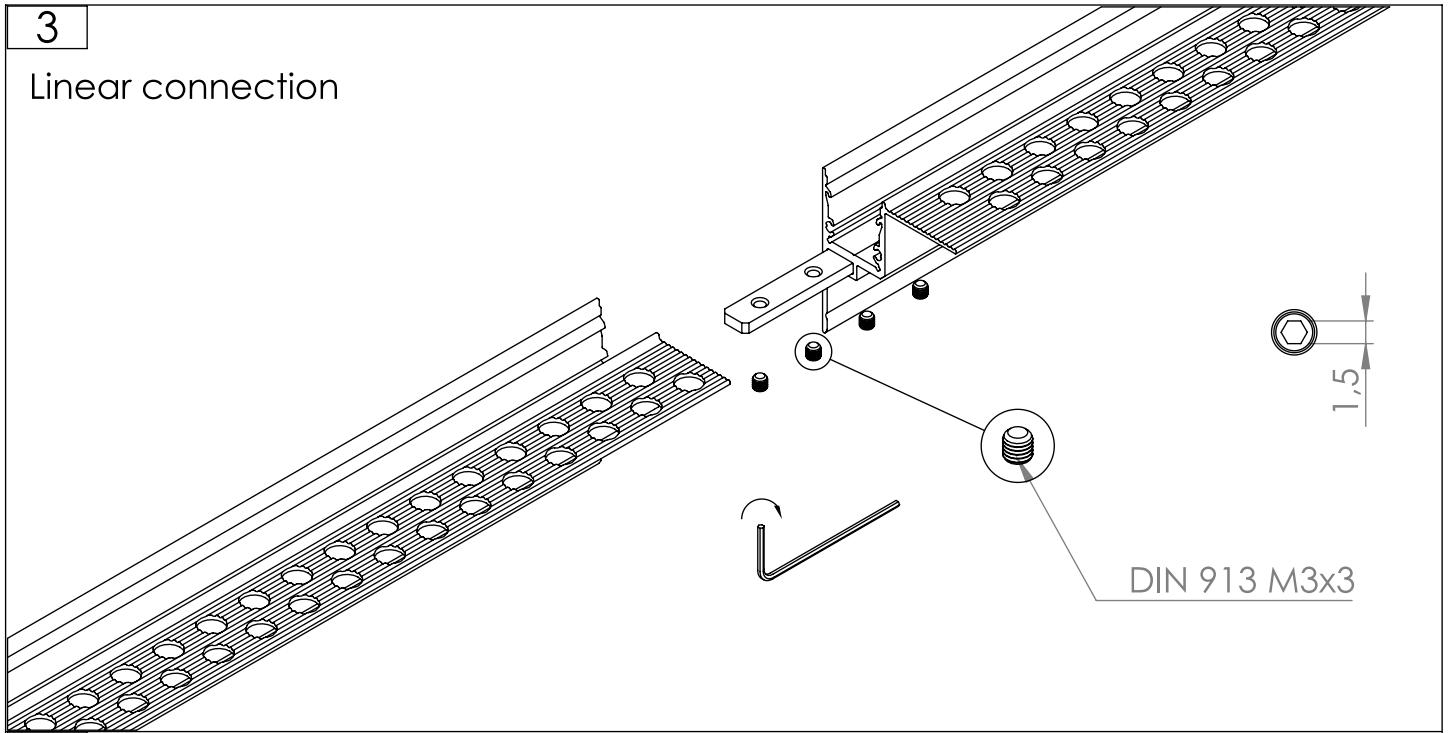


Slide the reflectors into the slots  
Remove the protective film using gloves



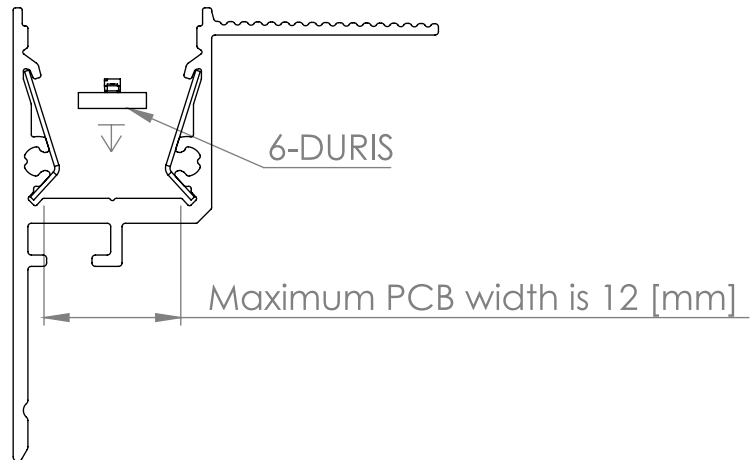
3

Linear connection



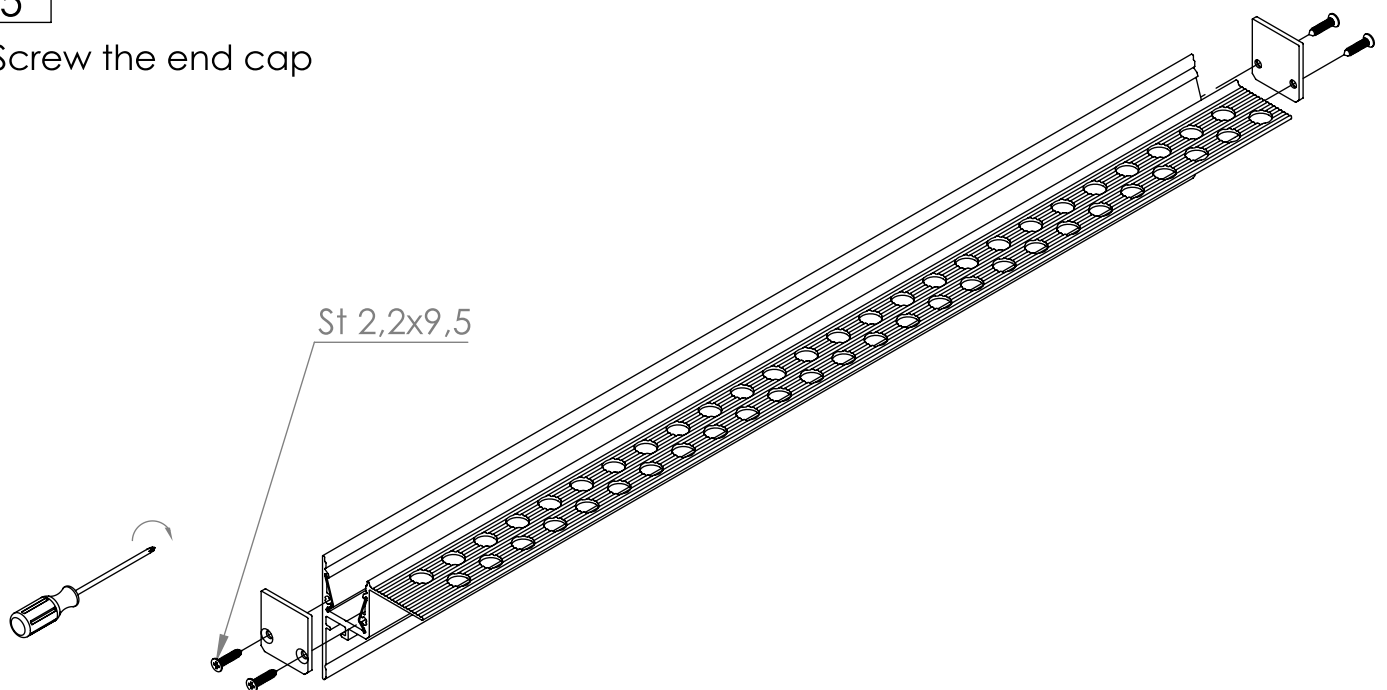
4

Use thermal conductive tape or paste



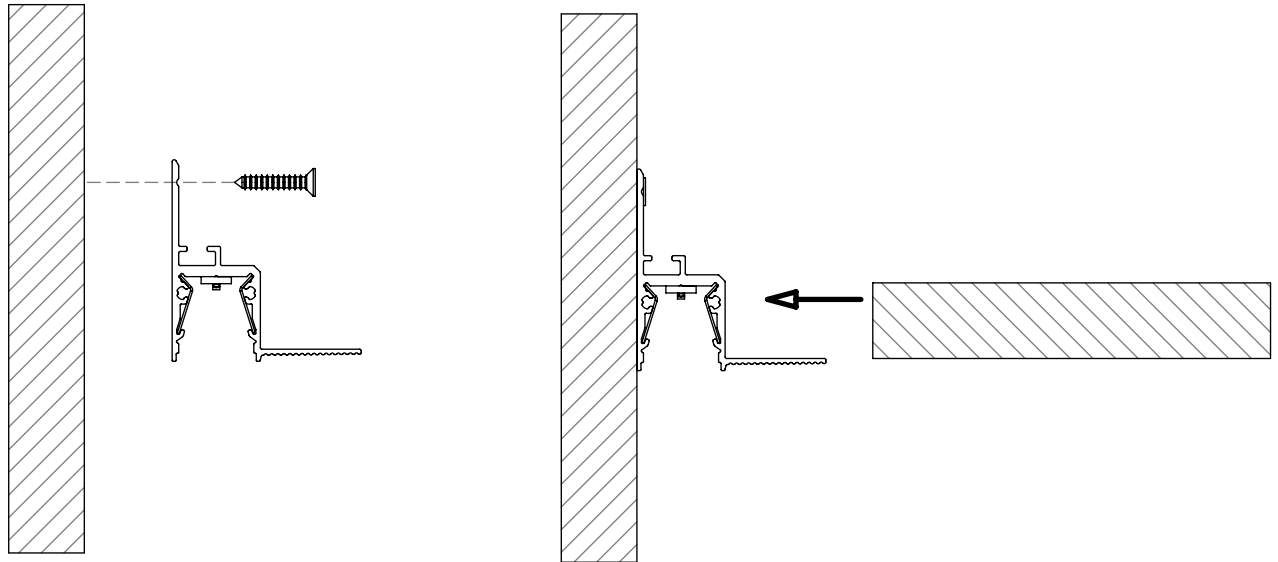
5

Screw the end cap



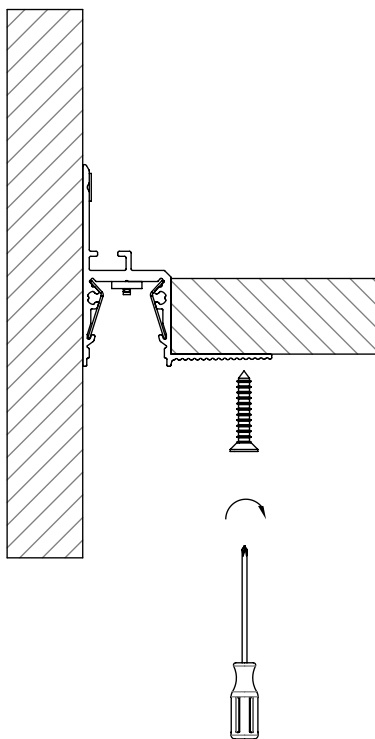
6

Screw the profile with plaster board / wall

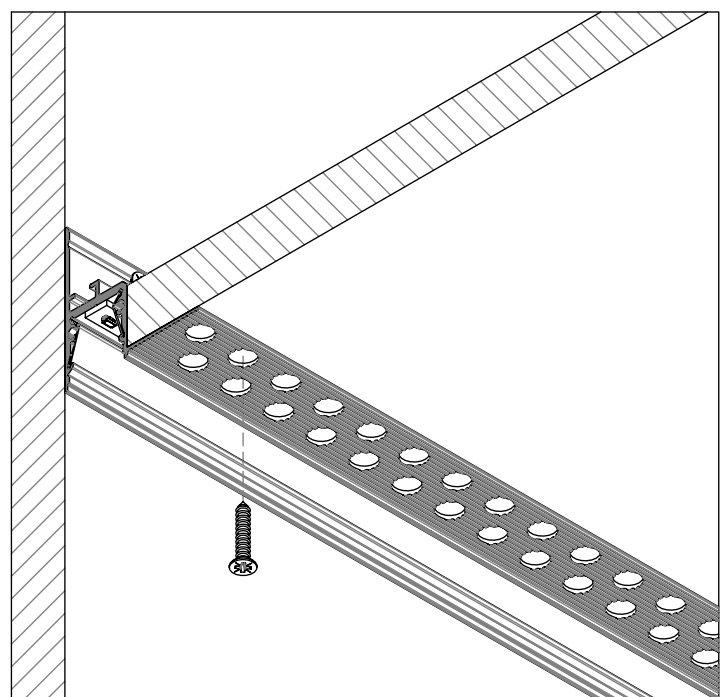


7

Connect power cable  
( 24VDC SELV )



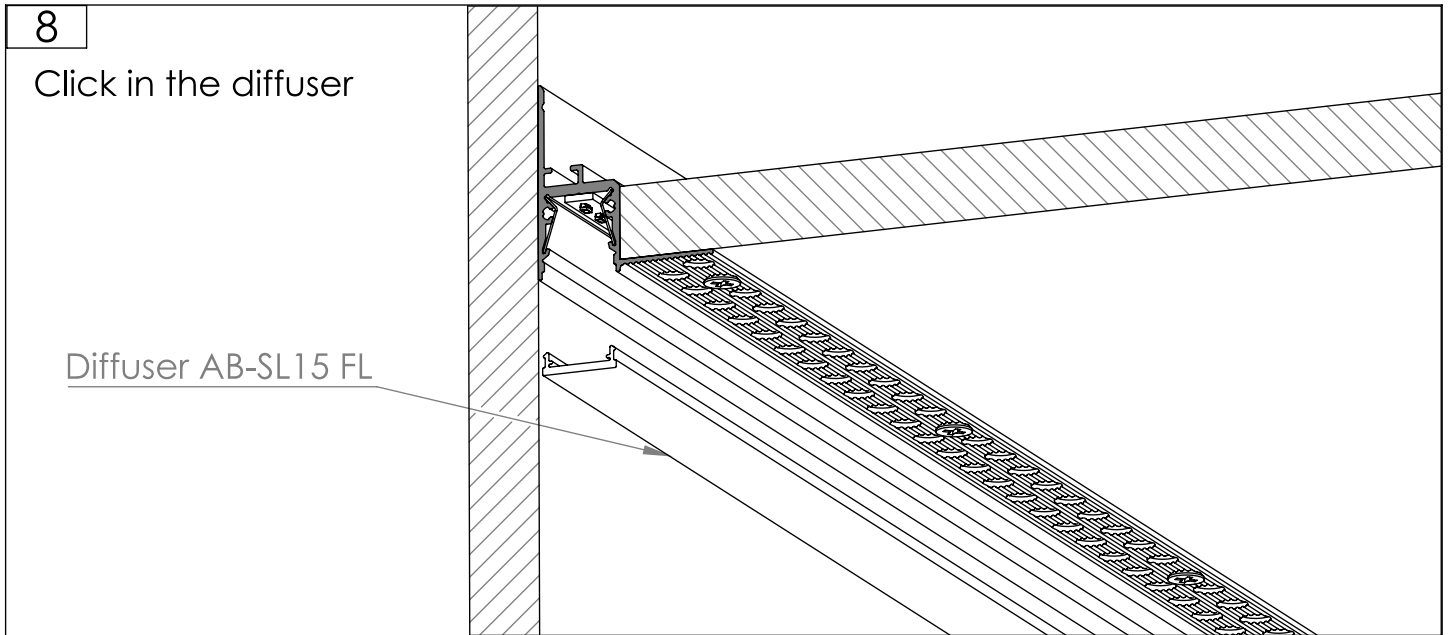
Screw the profile with plaster board  
using dedicated openings  
in the profile



8

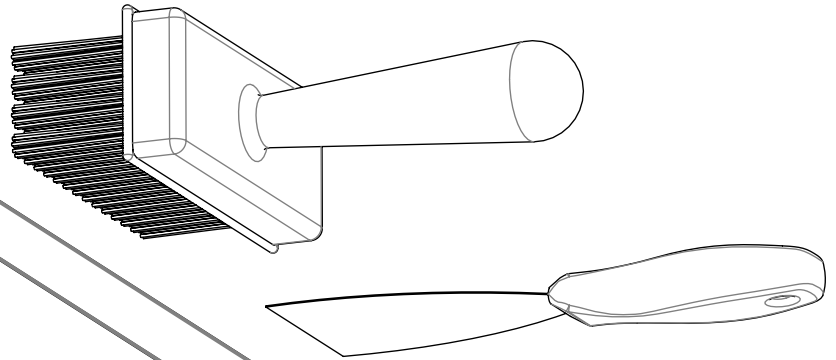
Click in the diffuser

Diffuser AB-SL15 FL



9

Cover the LED, reflectors and diffuser with protective tape before plastering



10

Remove the protective tape. Clean the surface with alcohol to remove any dust or debris

protective tape

