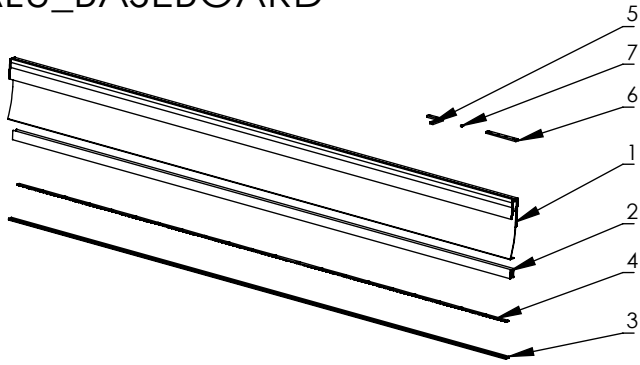
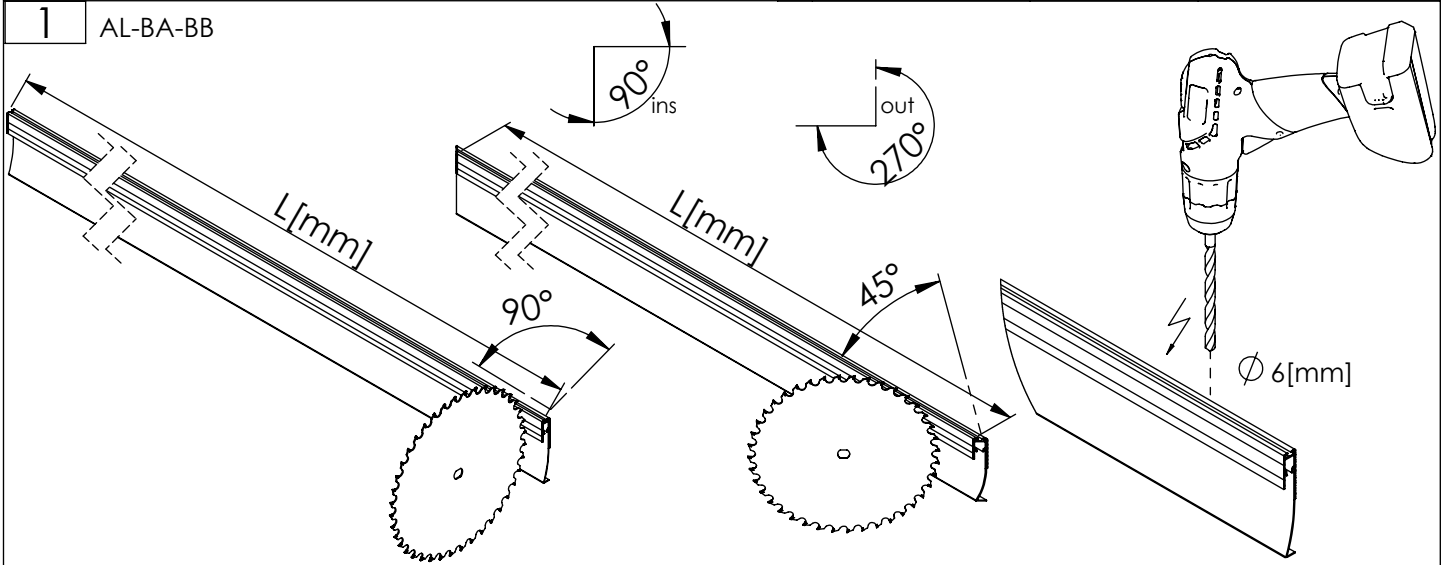


ALU_BASEBOARD

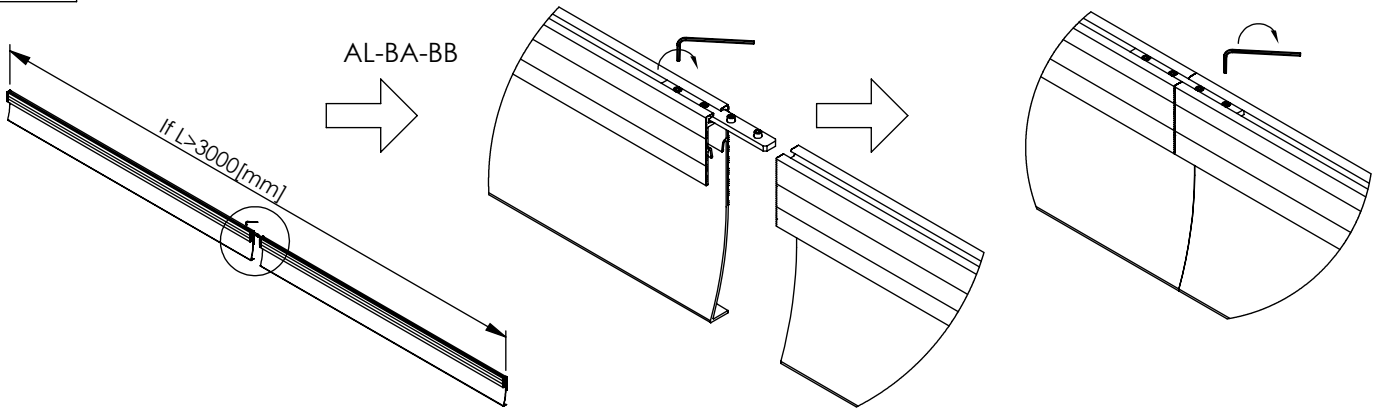


Nr	Code	Comments	Quantity
1	AL_BA_BB	2[m] or 3[m]	1
2	AL_SS	2[m] or 3[m]	1
3	AB_SS		1
4	6x325 PCB with Osram Duris E3 LEDsF3	LED	3 per [m]
5	LC_SPL	profile >3[m]	1 per join
6	90LC_SPL	angle 90° or 270°	1 per join
7	DIN 914 M3x4	for LC_LINEAR and LC_ANGLE_90	4 per 1 LC_LINEAR or 1 LC_ANGLE_90D1

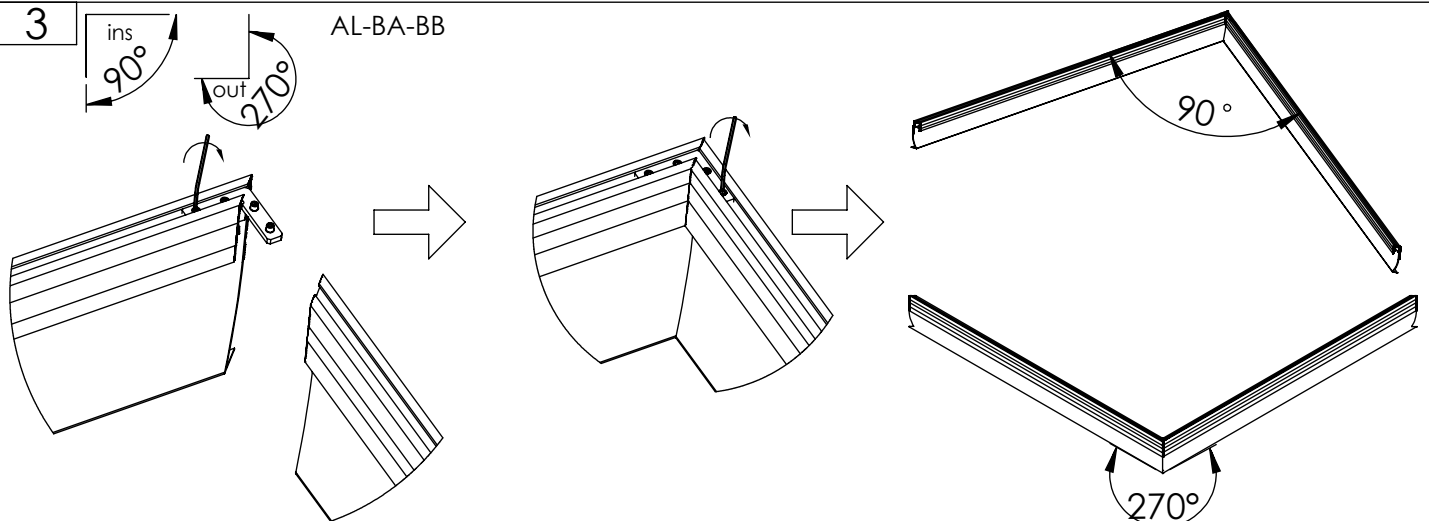
1 AL-BA-BB



2 AL-BA-BB



3 AL-BA-BB



Instruction for mounting

