

AL-ASY-2
AB-LASY-2

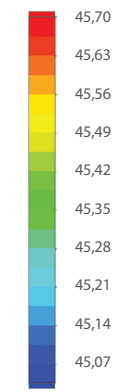
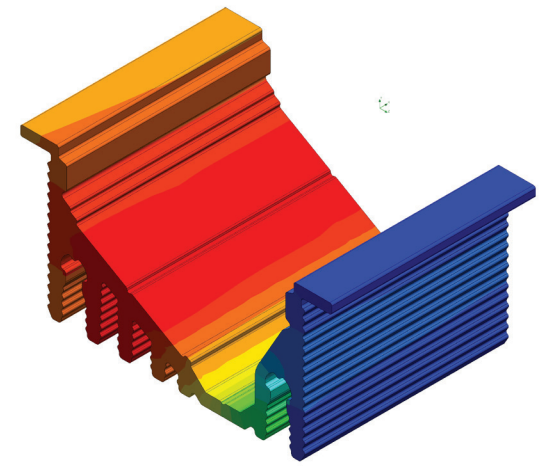
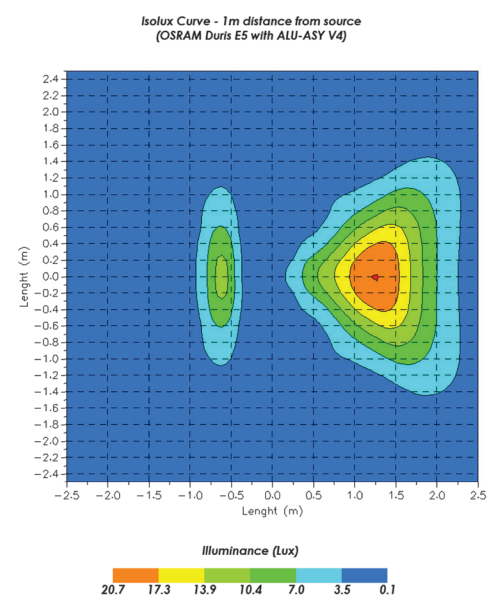
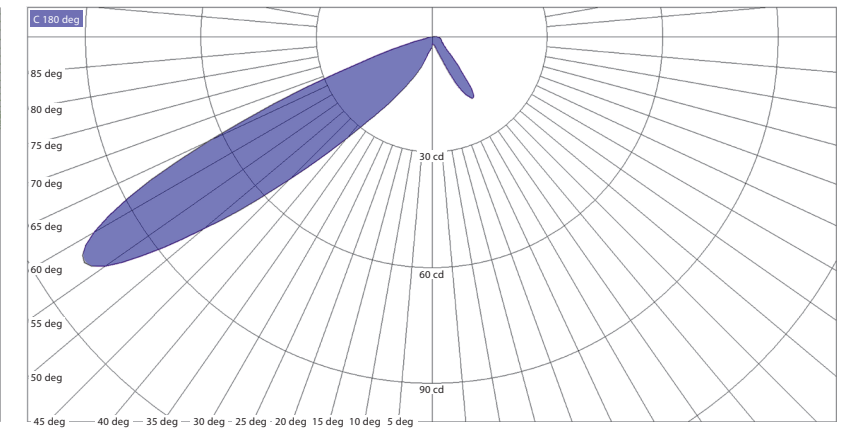
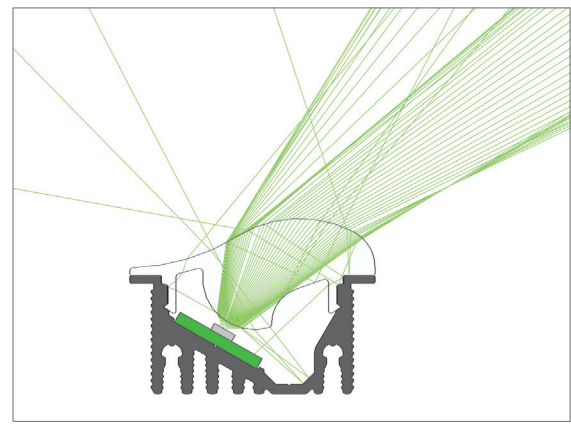
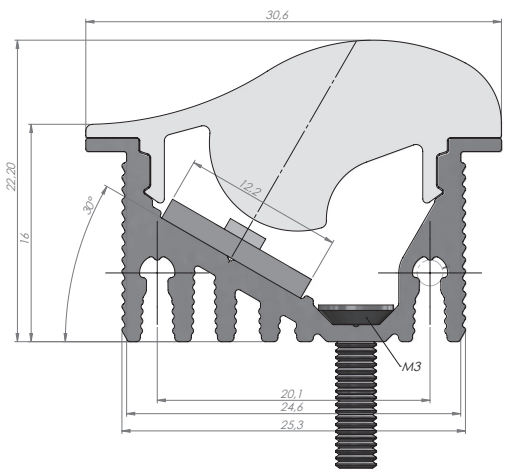
ALU-ASYMETRIC

ALU-ASY; 30 x 22mm

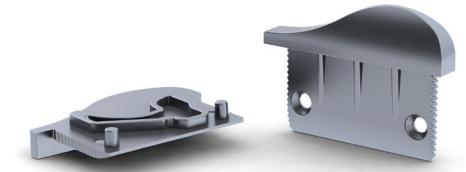
Recess type aluminum LED profile with asymmetric optic lens which push the light beam to the side in angle of 55/65° degree.

Application for this profile is for under need kitchen cabinets lighting, store shelf lighting, ceiling wall washing and everywhere when you want to direct the light further to the side.

The aluminum body has the capability of heat dissipation from the LEDs on the level of 35W/m. Asymmetric lens comes in transparent and mat finish. Profile is available in length of 2m equipped with the dedicated aluminum end caps. The light distribution rays and heat dissipation tests under different power loads are presented in the catalogue.

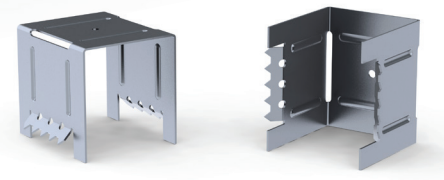
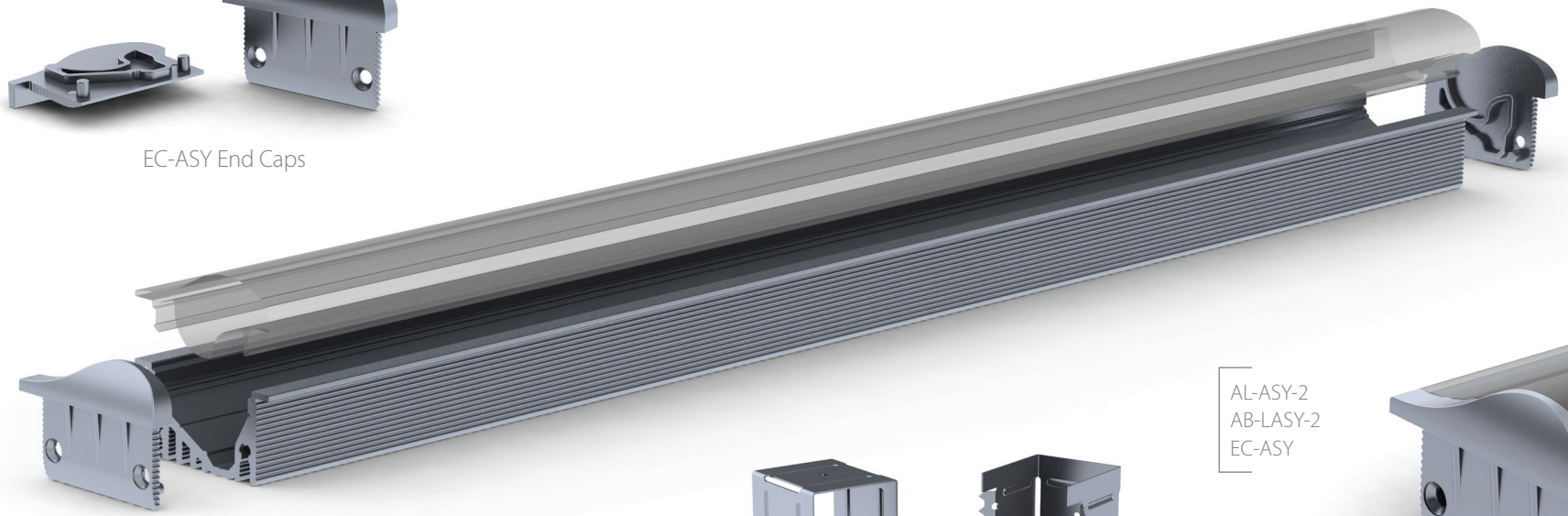


Temperature (Solid) [°C]
Temperature ambient: 25°C
Total power: 21,6 W/m (90 LEDs)
LED stripe: 10-5060
Installation mode for test purpose: recess



EC-ASY End Caps

AL-ASY-2
AB-LASY-2
EC-ASY



MC-RSLW20
Mounting Bracket

AL-ASY-2
AB-LASY-2
EC-ASY