

LED profile by Luz Negra

VERSALLES

Our PROFESSIONAL LED profile series is for surfaces and in high purity anodised aluminium. This profile is ideal for using on wall surfaces, furniture, shelves and similar areas, where a width greater than the standard is required. This allows us to use wider led strips for an increased heat dissipation and a wider angle of light emission.

By providing a lower channel for the return path of the cable, the profile allows us to close the circuit therefore steep voltage drops are prevented. Small drivers can also be placed in this lower channel.

Its cover (available in 7 different finishings), which offers our "easy-ON" system, once combined with this profile provides an IP65 rating to the luminaire. It can be used in places with high levels of humidity, such as bathrooms, kitchens, gyms, spas, cold storage chambers, fridges, or others. The profile and its covers are available in lengths of 2 meters, thus allowing us to carry out large projects, where all the profiles do not require joints or similar surface breaks. It is suitable for LED strips with a maximum width of 15mm, whose power level does not exceed 35W/m. In order to obtain a more homogeneous and diffused illumination, we recommend the use of our opal covers. We offer a 10 year guarantee on the profiles and a 4 year guarantee on the covers.



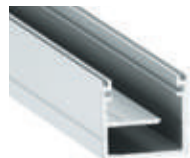
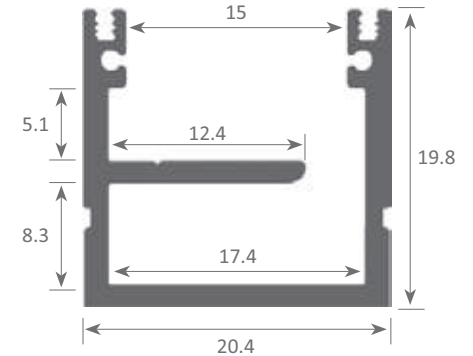
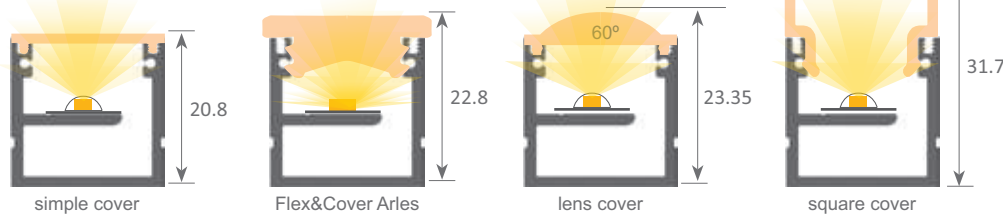
IP65



Scale 1:2

Scale 1:1

By applying the lens cover on the Versalles profile together with the flexible led strip we get a beam of 60° light.



Aluminium profile
02.018 anodised silver 2m
02.019 anodised black 2m



Plastic endcaps
19.034 grey without hole
19.293 black without hole



Endcaps for square cover
19.035 without hole (white)
19.036 without hole (black)



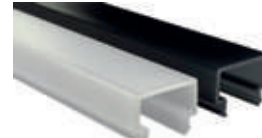
Clip
20.009 stainless steel
20.010 black oxide finish



Polycarbonate cover "easy-ON"
18.022 transparent 2m
18.023 opal 2m
18.024 frosted 2m



Black&White cover "easy-ON"
18.028 Black&White 2m
18.030 lens 2m



Square cover
18.032 frosted 2m
18.102 Black&White 2m



Patente Europea
Nº.: 13156605.1

Aluminium alloy extrusion process in accordance with: ISO 9001:2008 - ISO 14001 / Tolerances defined by: UNE-EN 755-9 / UNE-EN 12020-2
Theoretical weight: 0.273kg / Alloy: 6063 / Perimeter: 159mm / Anodising minimum: 15 microns
Aluminium purity: 95-98% / Material treatment: T-5 / Covers: Fireproof VØ

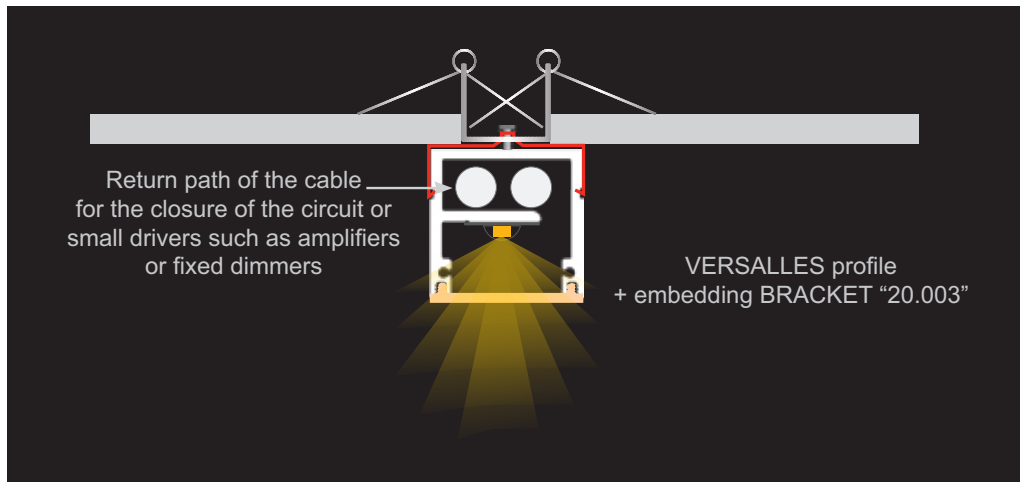
www.luznegra.net

www.ledprofile.es

Wired 4 Signs USA
+1 (865) 339 4956
info@w4susa.com
www.w4susa.com



7669 Clinton Highway
Powell
Tennessee 37849



Embedding clip
20.003 chrome steel
(clip not included)



Adjustable bracket
20.004 chrome steel
(clip not included)



Hanging KIT
21.001 chrome set of 2 units
21.002 white set of 2 units
21.003 black set of 2 units
(clip not included)

www.luznegra.net

www.ledprofile.es

Wired 4 Signs USA
+1 (865) 339 4956
info@w4susa.com
www.w4susa.com



7669 Clinton Highway
Powell
Tennessee 37849