

UNI-TILE 12C

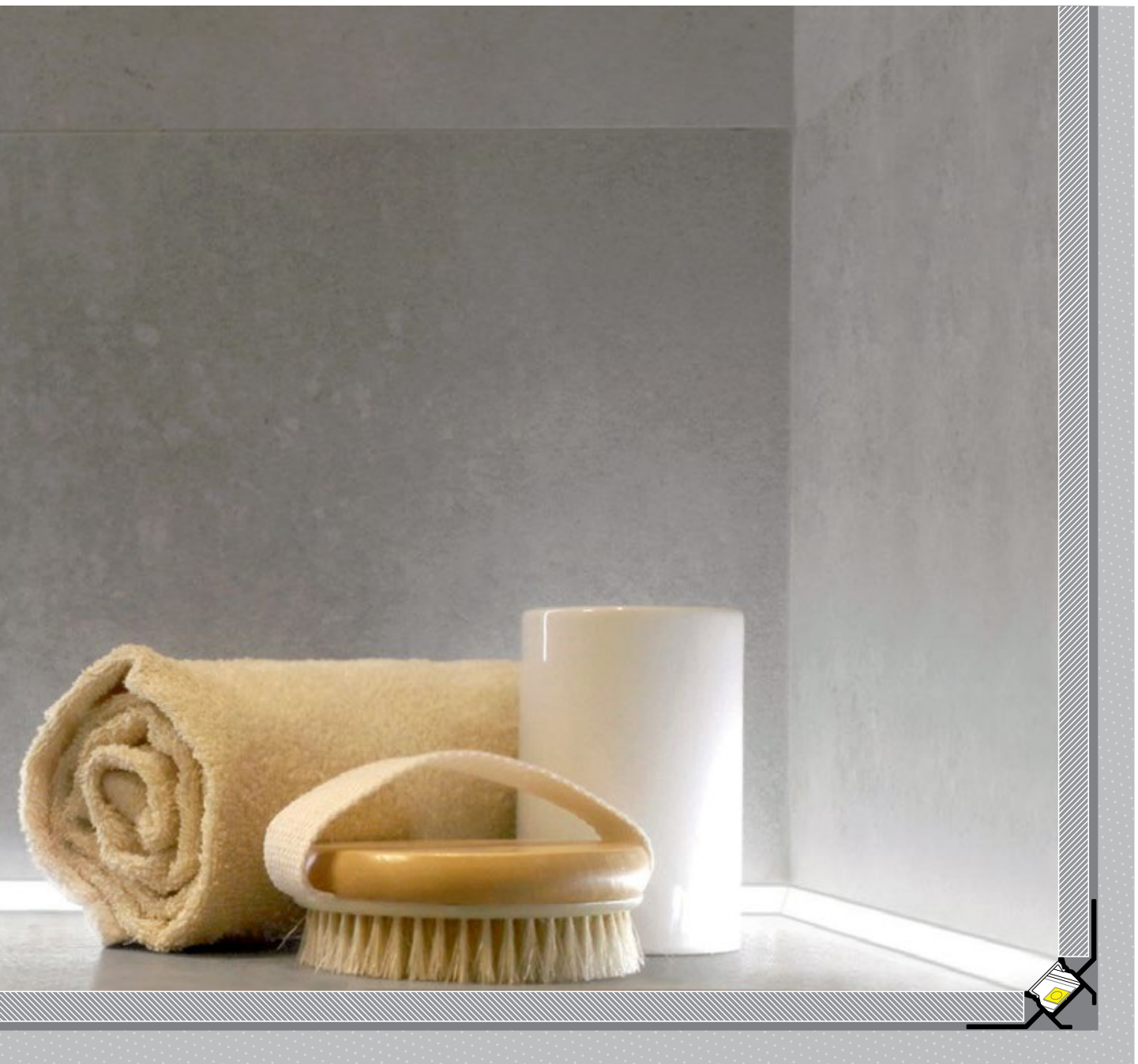
- family of profiles for under-tile mounting
- three mounting angles available: 90, 180, 270 degrees
- for 10 mm tiles
- perforated mounting holes



Max 12 mm

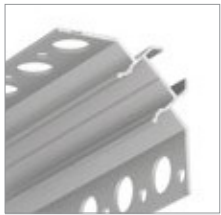
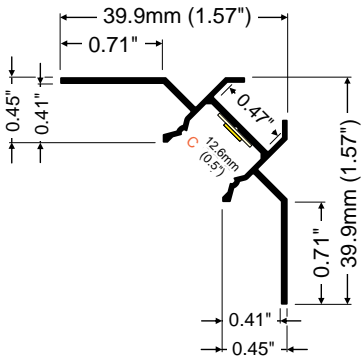


Tile-in



* Parameters tolerance +/- 7%

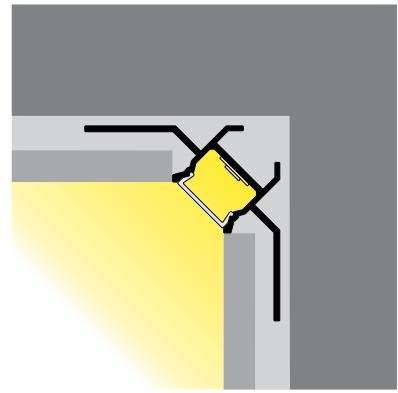
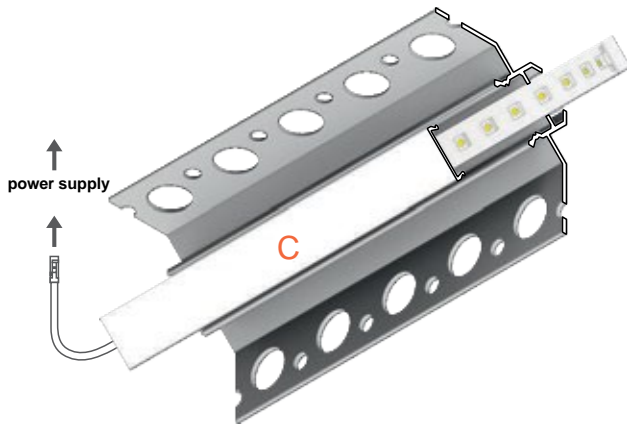
UNI-TILE12 90 DEGREES



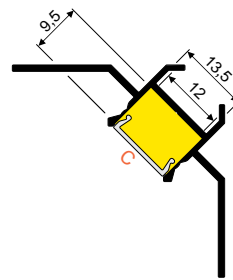
90 grad PLUS
anodized

LED-B8020020P

INDEX = length 2000 mm

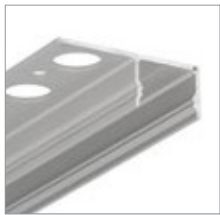
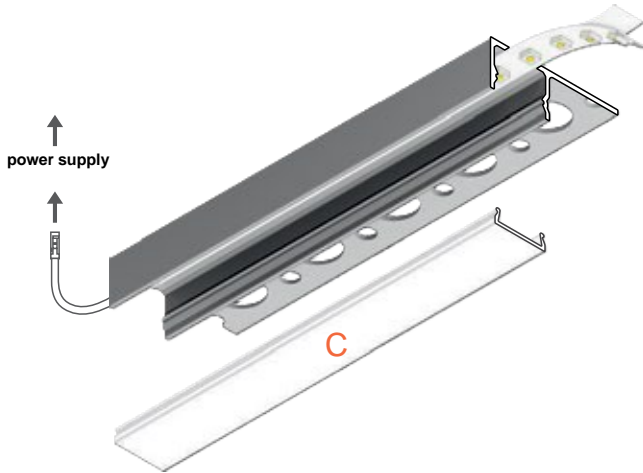
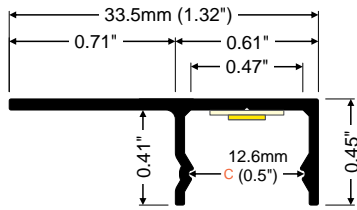


C
C click di user



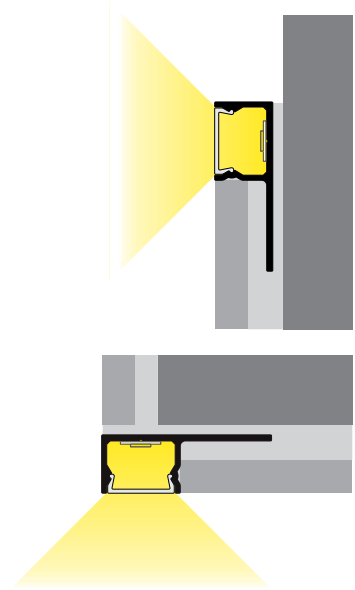
* Parameters tolerance +/- 7%

UNI-TILE12 180 DEGREES C

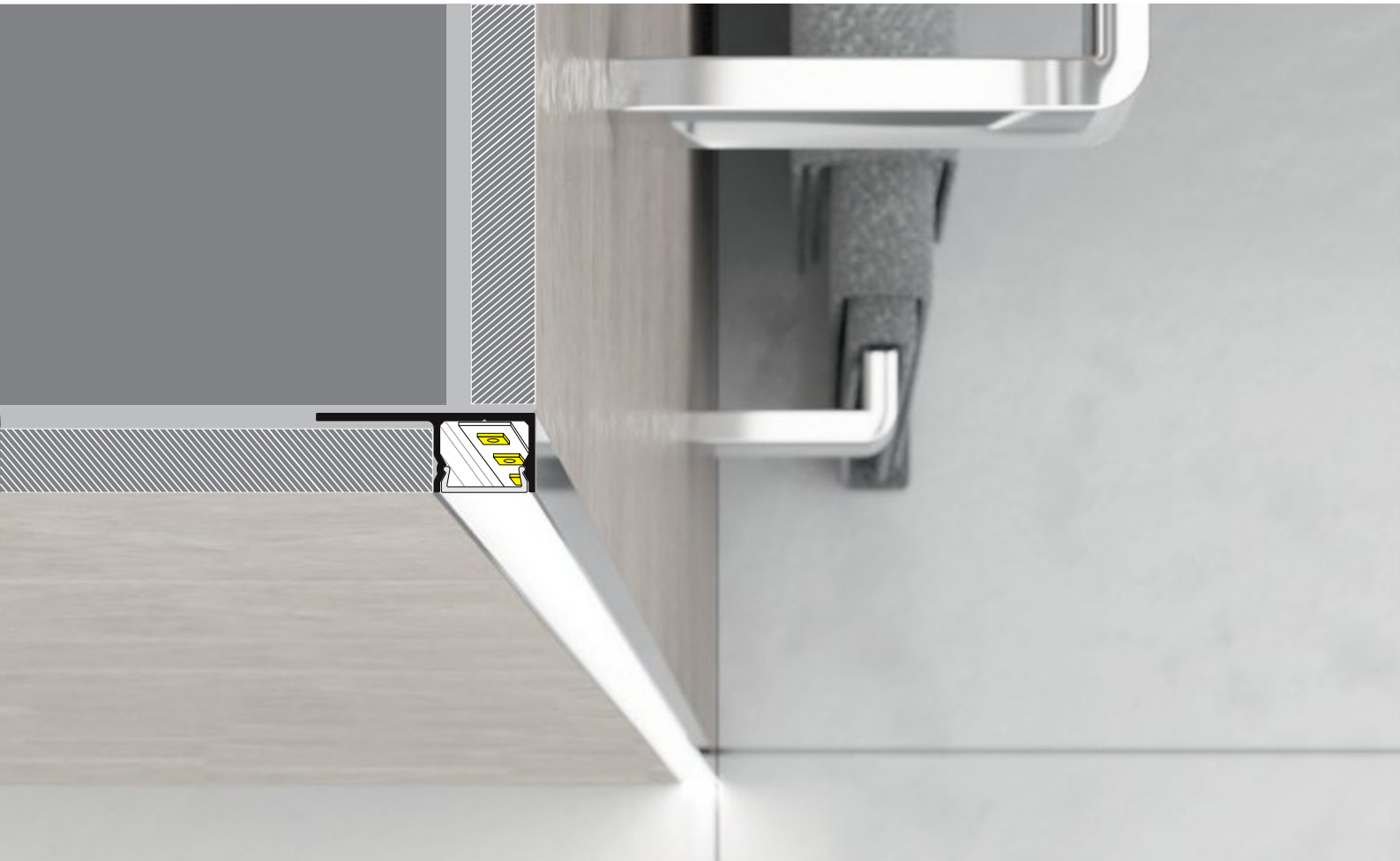
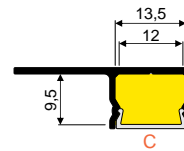


180 grad PLUS
Anodized
LED-G2000620P

INDEX = length 2000 mm
Quantities, package and other length available

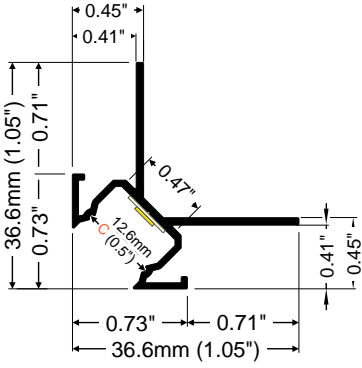


C click di user



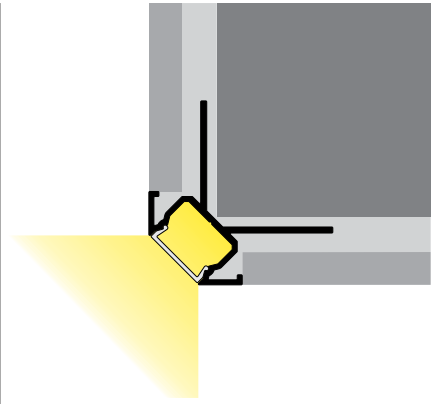
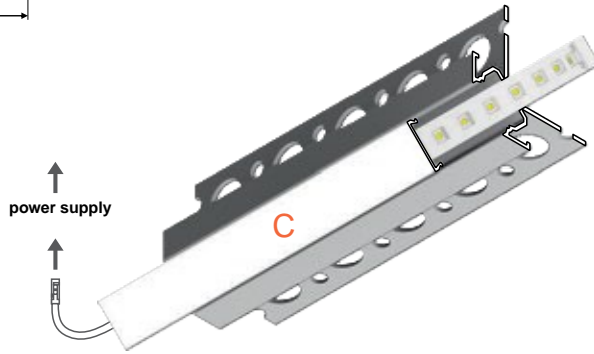
* Parameters tolerance +/- 7%

UNI-TILE12 270 DEGREES C



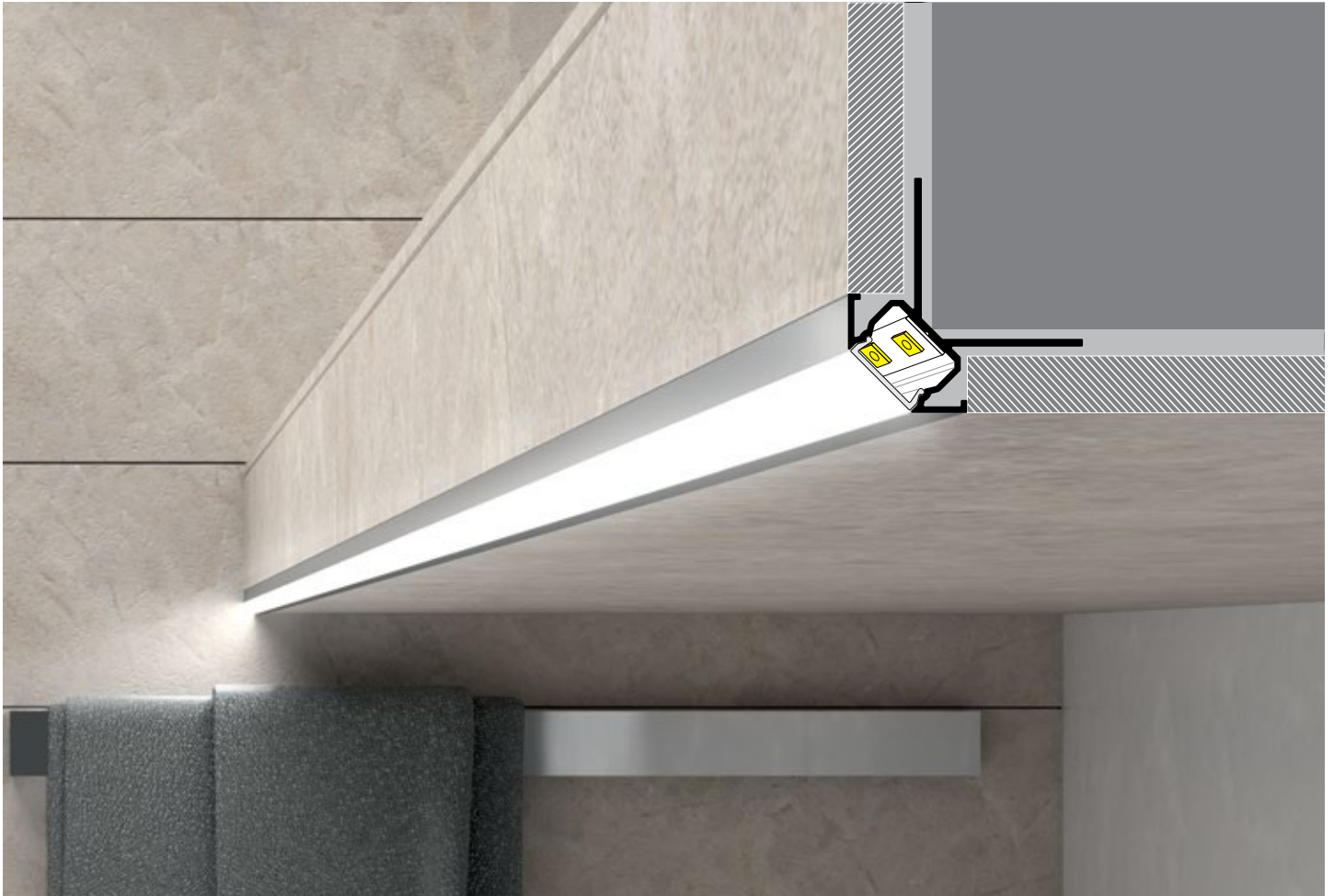
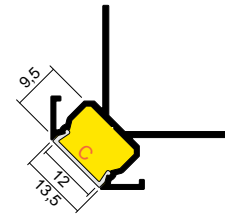
270 grad PLUS
Anodized
LED-G3000620P

INDEX = length 2000 mm
Quantities, package and other length available



C

C click di user



* Parameters tolerance +/- 7%