

UP-TILE10 A



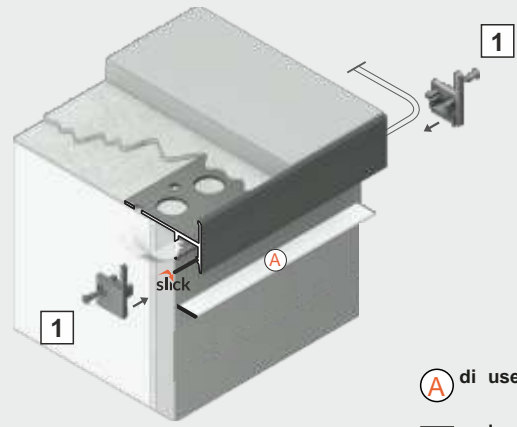
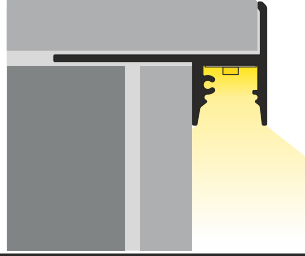
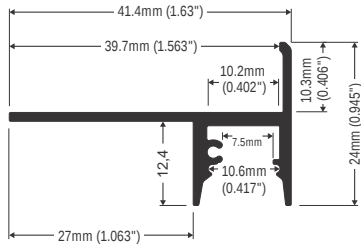
max 10 mm



tile in



architectural



A di user A slide

1 end cap UP-TILE10



scissors



drill



hacksaw



screwdriver



pliers



soldering iron



solder



spatula

I

fixture length
LED profile length
2 mm
2 mm

II

The length of the di user is equal to the length of the profile .

III

Power cord hole
Power cord hole

IV

Dimensions of the space to install LED source

10,7
10,2
2,1
5
5,9
7,5
8,4

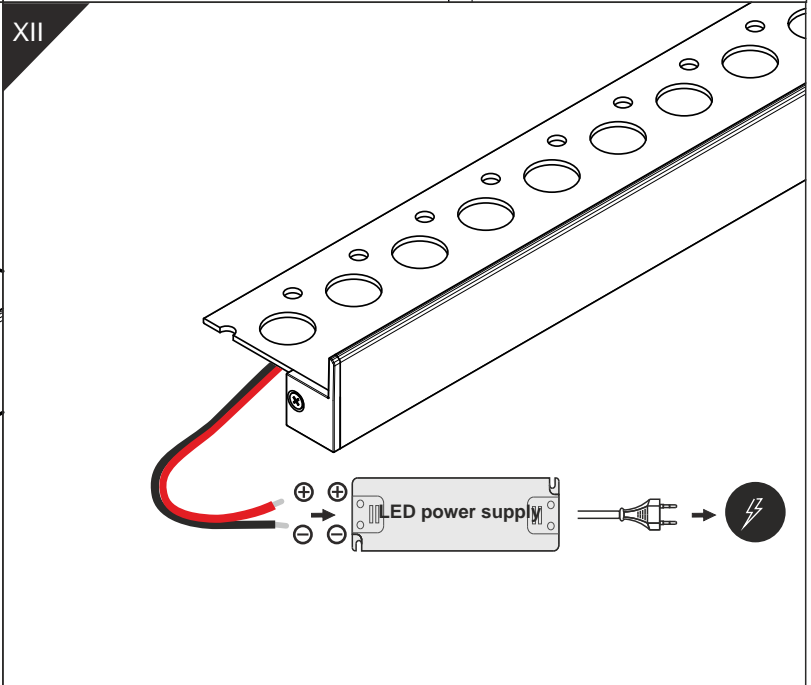
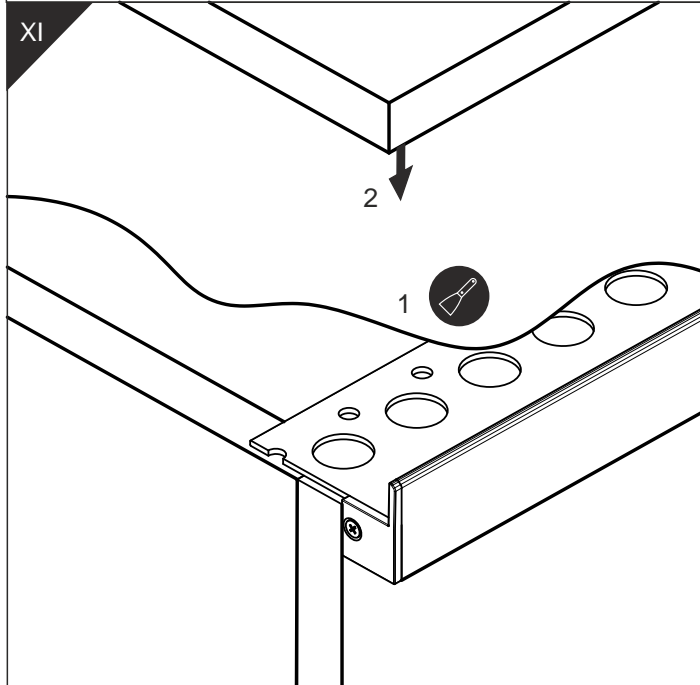
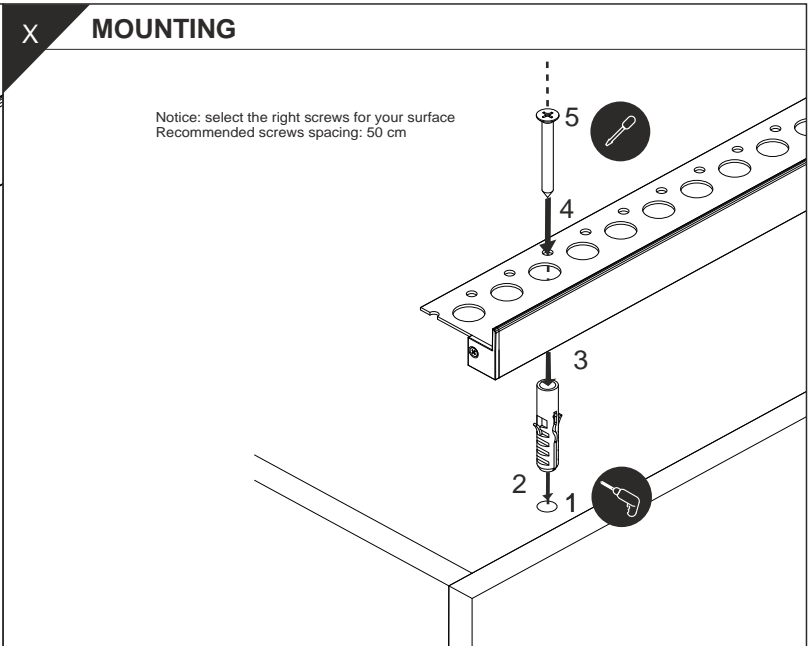
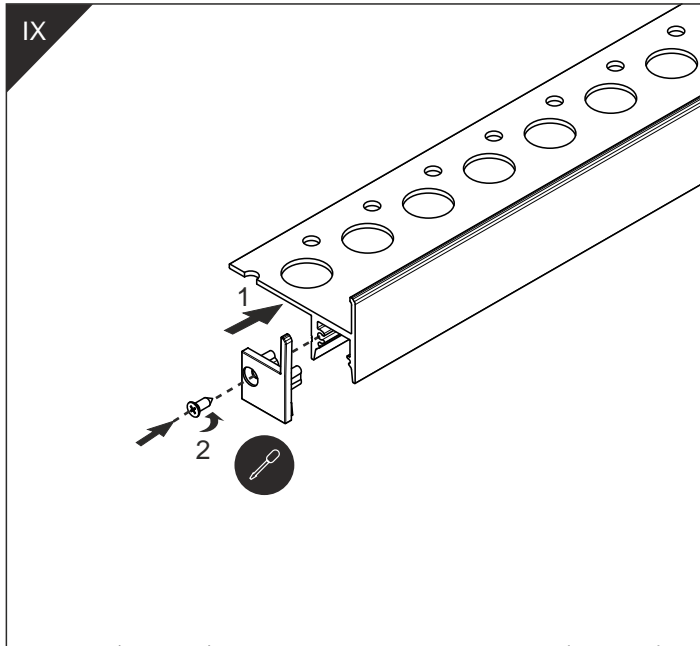
V

VI

VII

VIII

A
A
slick



DISTRIBUTED BY



* Parameters tolerance +/- 7%

Wired 4 Signs USA +1 (865) 339 4956 info@w4susa.com 7669 Clinton Highway, Powell, Tennessee, 37849