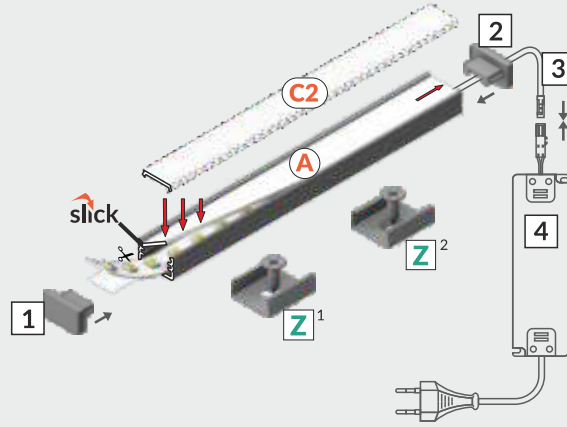
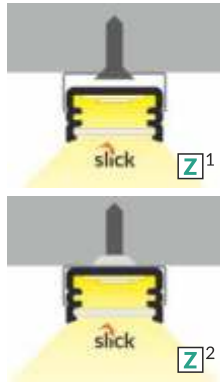


SLIM8 AC2/Z

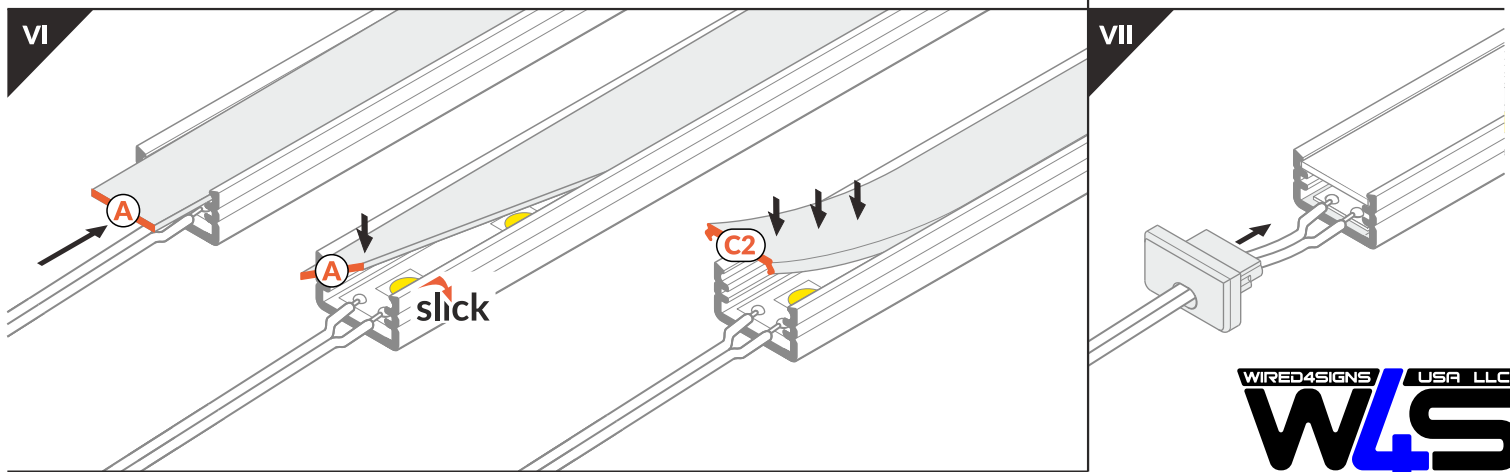
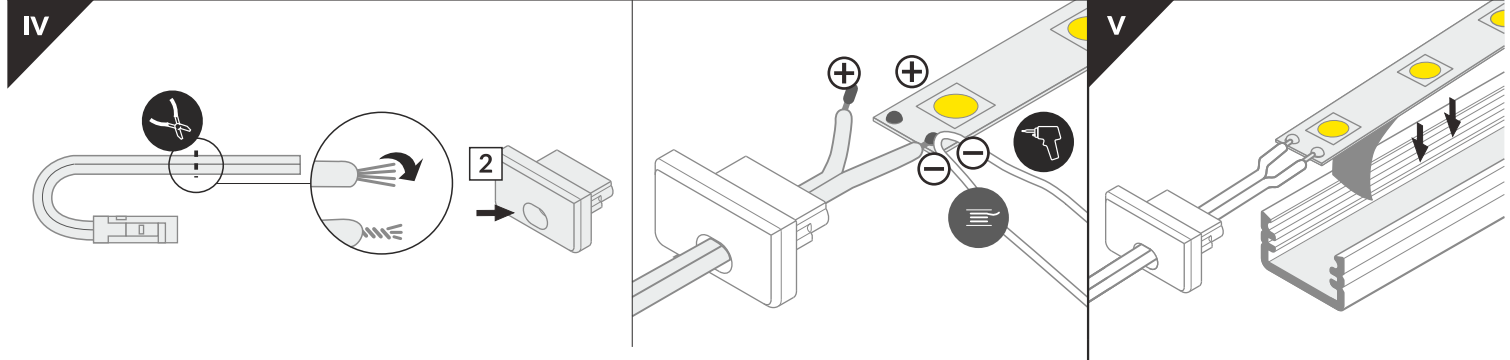
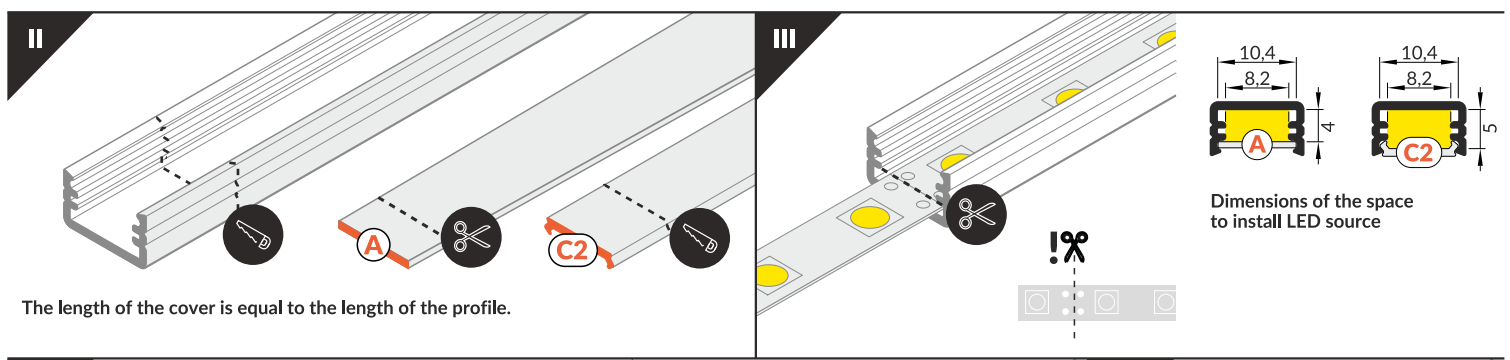
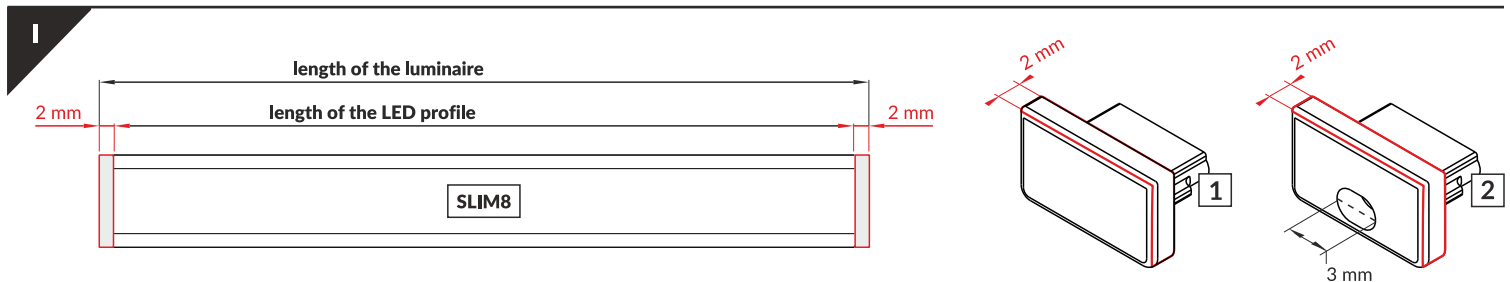
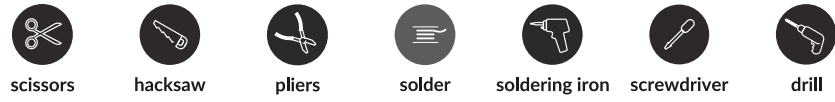
SURFACE PROFILE

0.315"
max 8 mm

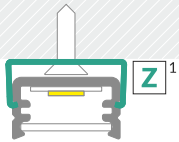
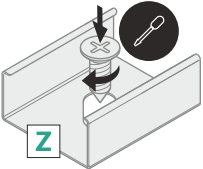
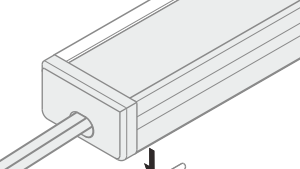
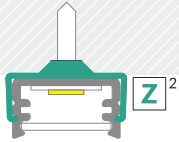
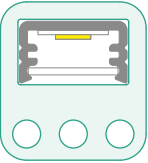
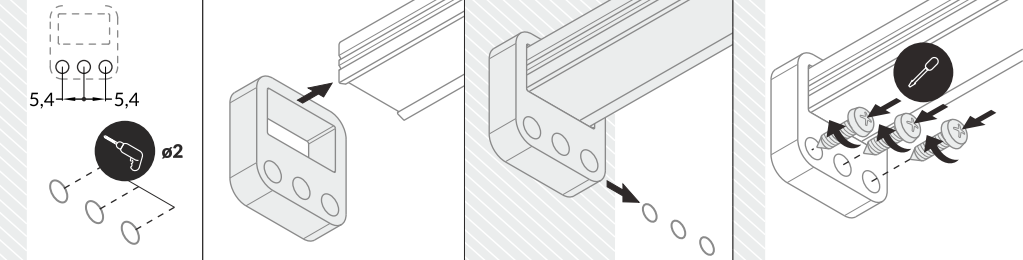
0.48"
12.2
0.276"




- A** A slide cover
- C2** C2 click cover
- Z¹** Z mounting plate
- Z²** cone Z mounting plate
- 1** SLIM8 ending
- 2** SLIM8 ending with hole
- 3** power supply cable
- 4** LED power supply

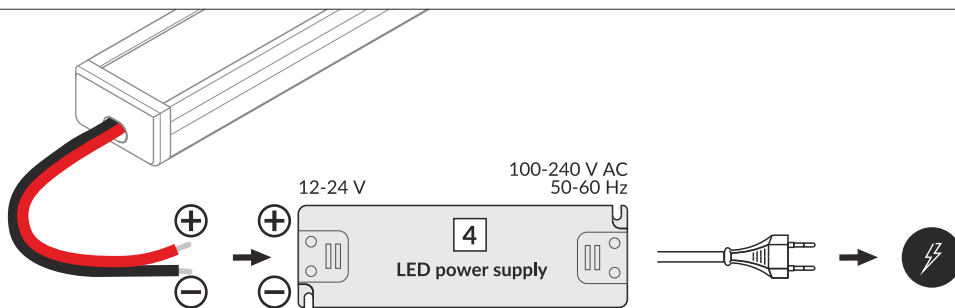


VIII MOUNTING


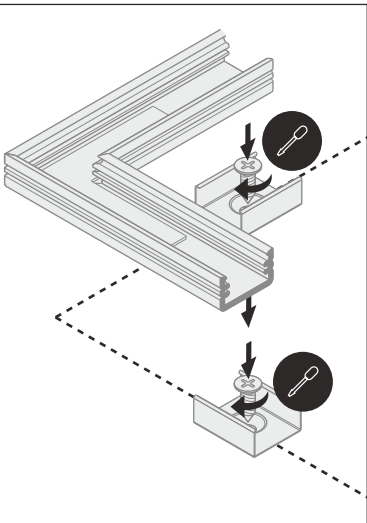
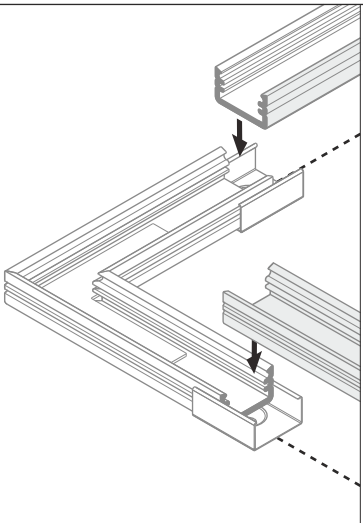
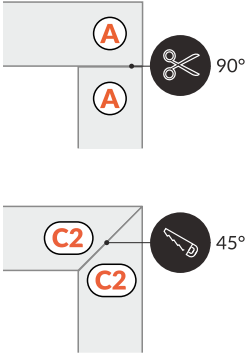
<p>Z mounting plate</p>				
<p>cone Z mounting plate</p>				
<p>SLIM8 simple holder</p>		<p>Repeat the following steps also for the other end of the profile. Length of the LED luminaire = mounting space - 2 mm</p> 		

 Other mounting possibilities: with mounting glue or mounting tape, with screws

IX POWER SUPPLY



OPTIONAL ACCESSORIES

<p>SLIM8 90 deg connector</p> <p> Mount the connector before installing the LED strip</p>			
--	---	--	---

ACCESSORIES

power switches
controller + remote
movement sensors