

### Set contains:

		pcs/szt.
1a	dowel pin Fi8x40	2
1b	screw 4x40	2
2a	nut M4	2
2b	round washer M4x0,8	2
2c	machine screw M4x10	2
3	body Fi18x12	2
3a	grub screw M4x4 Allen	2
4	mandrel Fi12x6	2
4-5a	plastic grub screw M4x4	4
5	body Fi10x12	2
6	FIX16 base	2
6a	grub screw M4x5	4
7	nipple with flange M5x4,5	2
8	teflon sheath wire 1x0 50 2500 mm	2
9	Allen key	1

### Fitting profiles

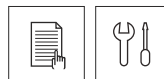
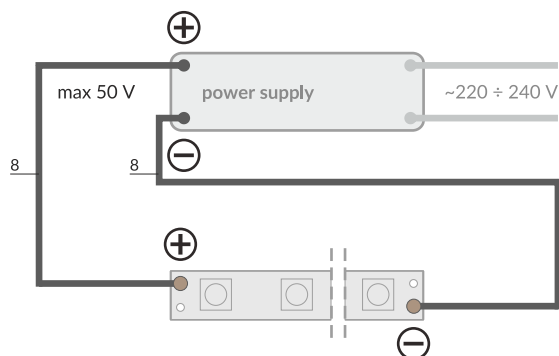
Profile:	Mounting method:
SMART10	A
BEGTON12	A
UNI12	A
SMART16	A
LINEA20	A / B / C (FIX16)
WIDE24	A
QUARTER10	A
ARC12	A
MIKRO-LINE12	A
VARIO30-01	A / B / C (VARIO30-10)
VARIO30-02	A / B / C (VARIO30-10)
VARIO30-03	A / B / C (VARIO30-10)
VARIO30-08	A / B / C (VARIO30-09)

A - Directly to the profile

B - Using 6 - FIX16 base

C - Use the cover along the entire length of the profile (type of cover)

### Electrical connection layout



Mounting must be performed by an appropriately qualified person

\* Parameters tolerance +/- 7%

# Mounting



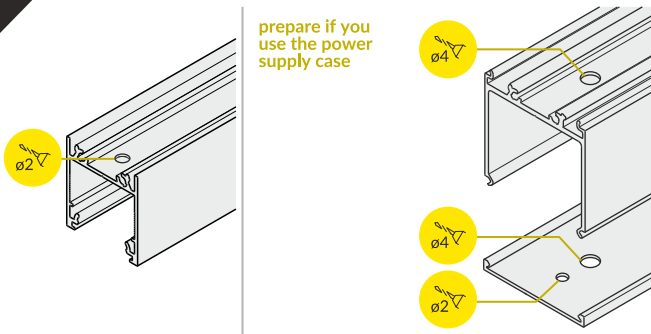
drill



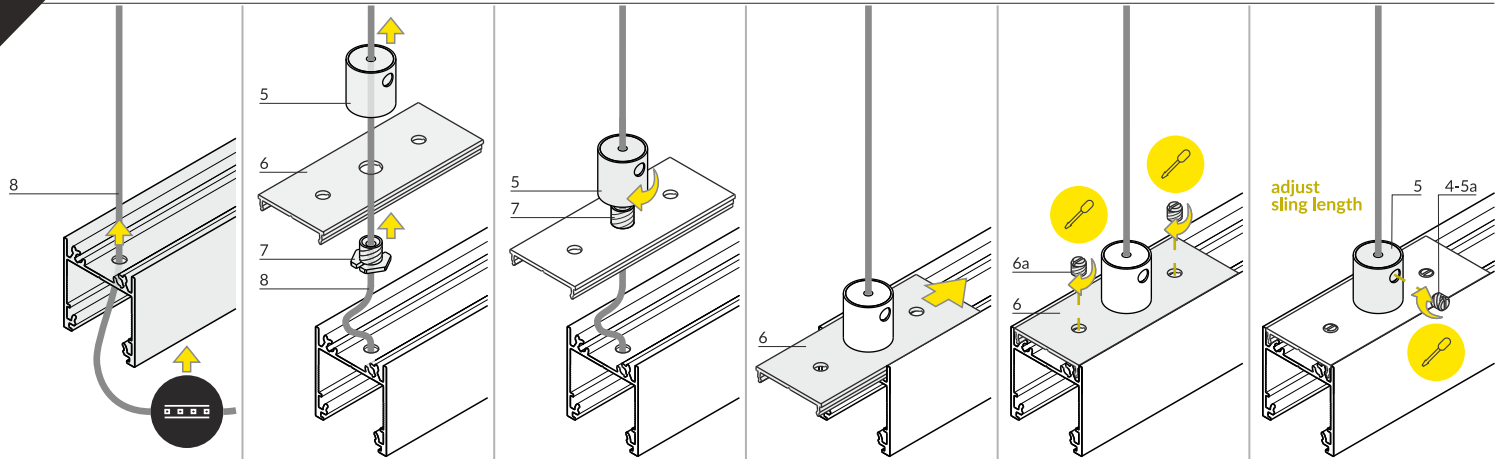
screwdriver

Installation on the example of LINEA20 LED profile, with optional use of the power supply case (VARIO30-08 and VARIO30-09)  
All the steps shown below should be repeated for the second conduit

## I PROFILES PREPARING



## II MOUNTING TO THE PROFILE

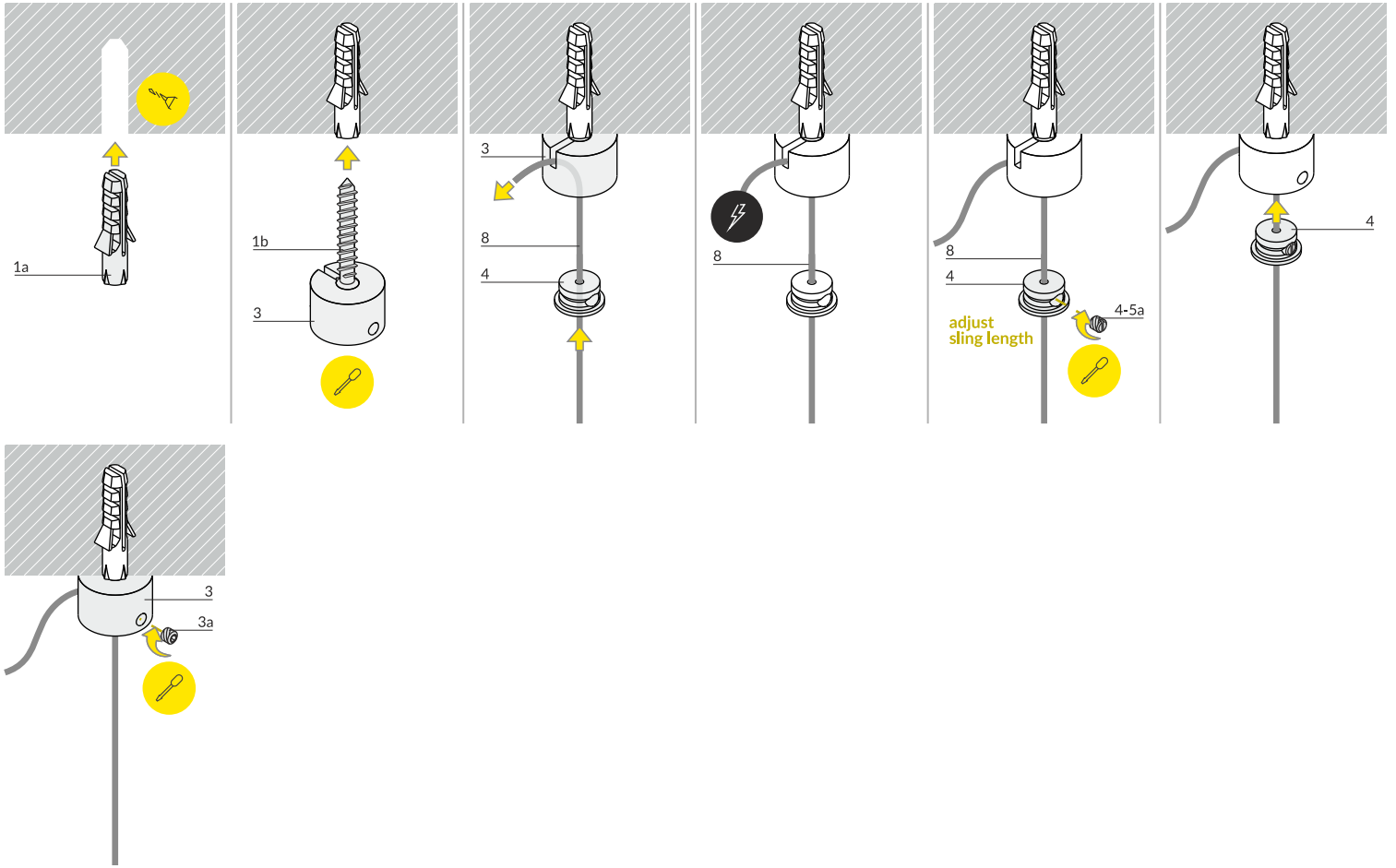


\* Parameters tolerance +/- 7%



# MOUNTING TO THE CEILING

## Direct



## With optional power supply cover

