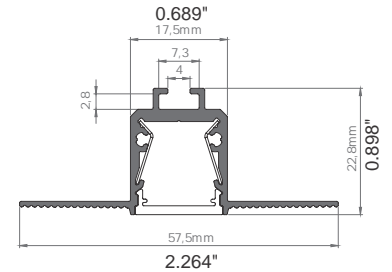


RSL15 US LED PROFILE

RSL15 US; 57,5 x 22,8 mm

The first profile in Plasterboard Line originating from our Slim Line family. Designed to fit 12mm LED strip, with possibility to be equipped with highly polished aluminum reflectors which increase light output up to 20%. Together with it comes two standard covers: clear and opal, both can be used with micro-prismatic, slide-in film di user. Additionally, it is designed to be used with our 15-degree PMMA optic lens. Opal di user provides 'LED dots free effect' creating uniform line of light. High quality dedicated endcaps complement this raw-aluminum design, providing narrow and elegant solution.



AL-RSL15 US
AB-SL15 FL-M
6-DURIS
AL-REF13-B60



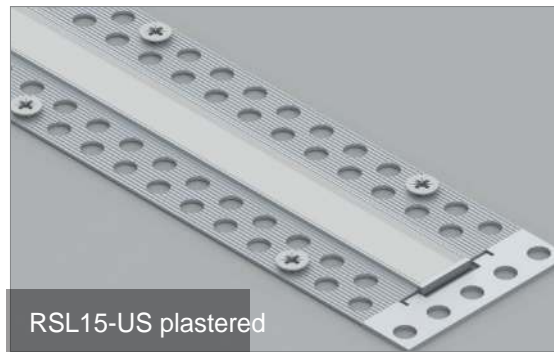
AL-RSL15 US
AB-SL15 FL-M
EC-RSL15 US
AL-REF13-B60
6-DURIS



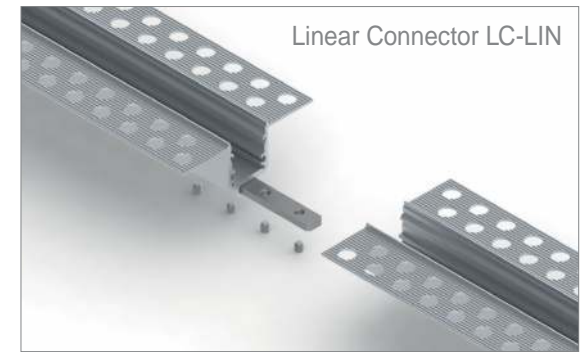
Aluminum end caps
EC-RSL15 US



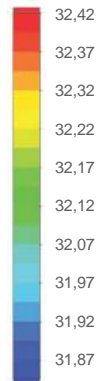
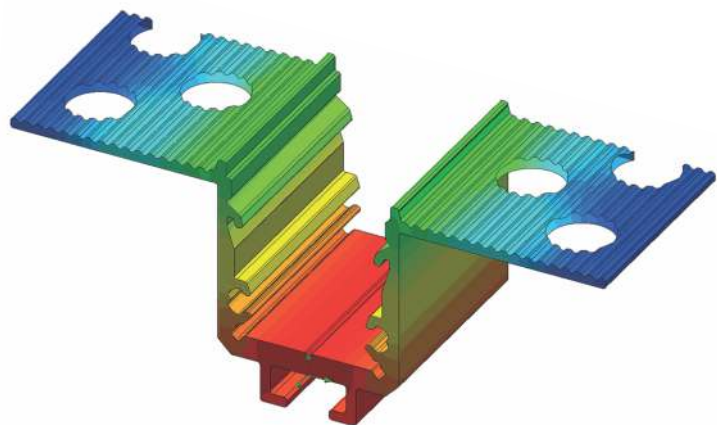
AB-SL15FL-L15 lens



RSL15-US plastered



Linear Connector LC-LIN

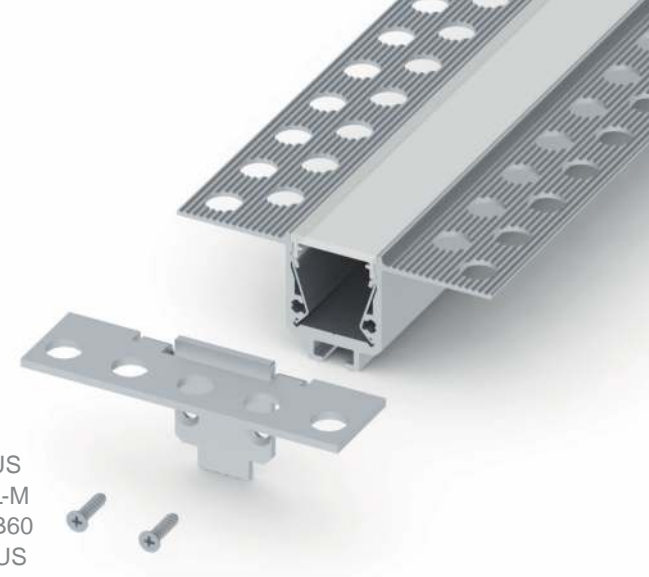


Temperature (Solid) [°C]

Temperature ambient: 25°C 77°F

Total power: 10W/m (126LEDs)

LED stripe: 6-DURIS

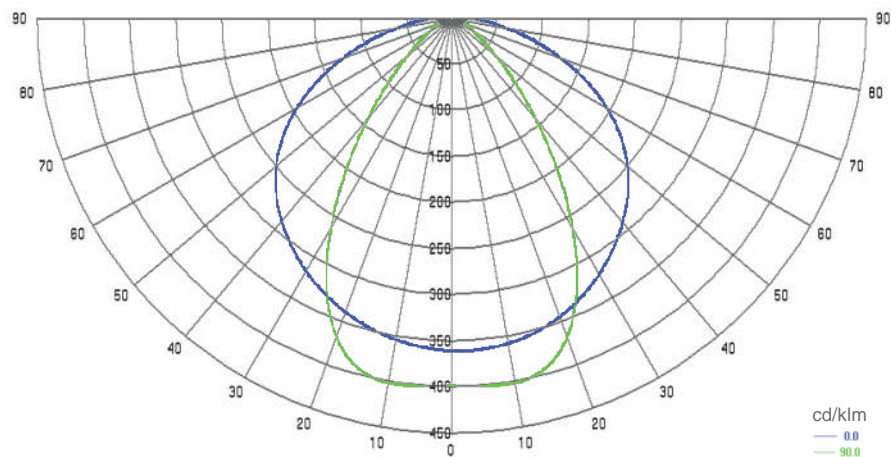


AL-RSL15 US
 AB-SL15 FL-M
 AL-REF13-B60
 EC-RSL15 US

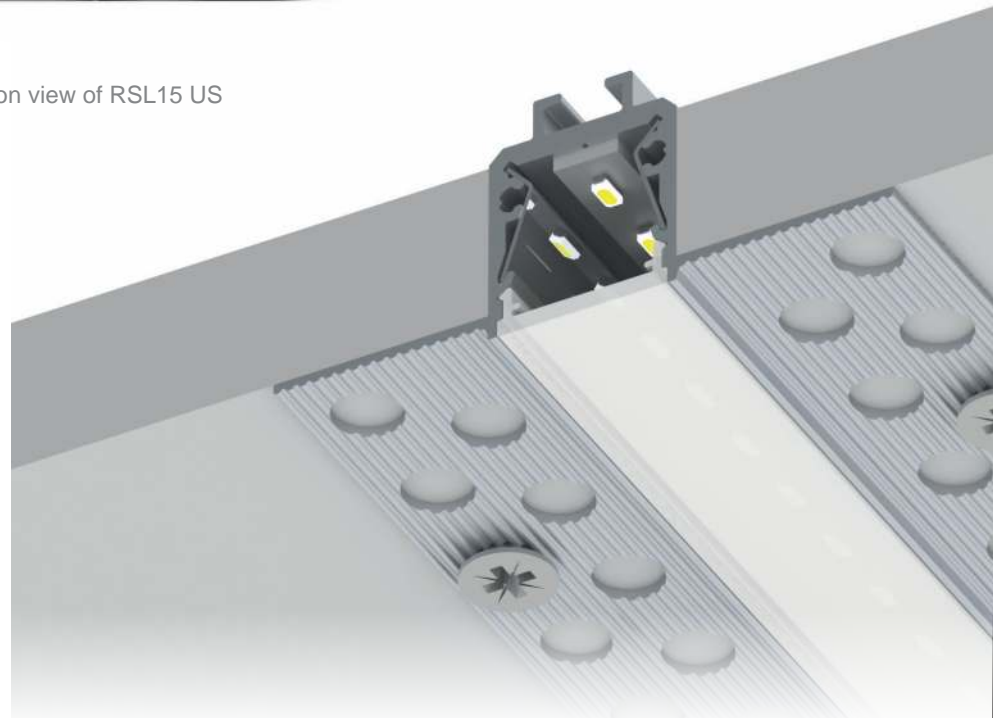


AL-RSL15 US
 AB-SL15 FL-M
 6-DURIS
 AL-REF13-B60

Polar Candela Distribution Plot
 Using Missed Rays



Cross section view of RSL15 US



* Parameters tolerance +/- 7%