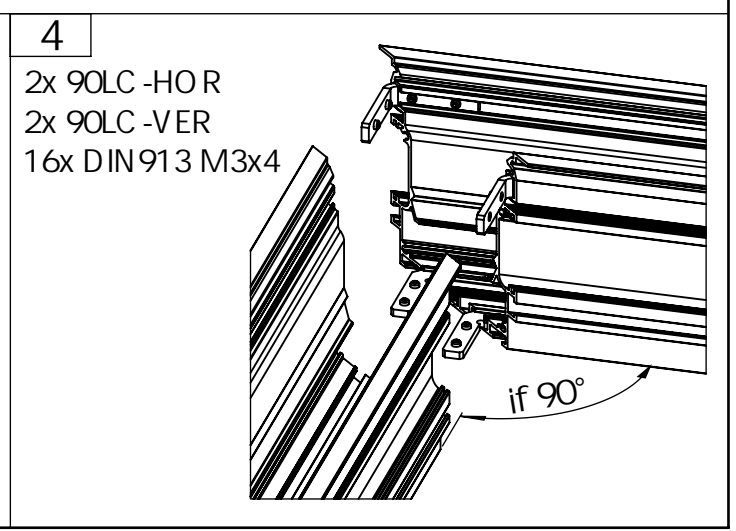
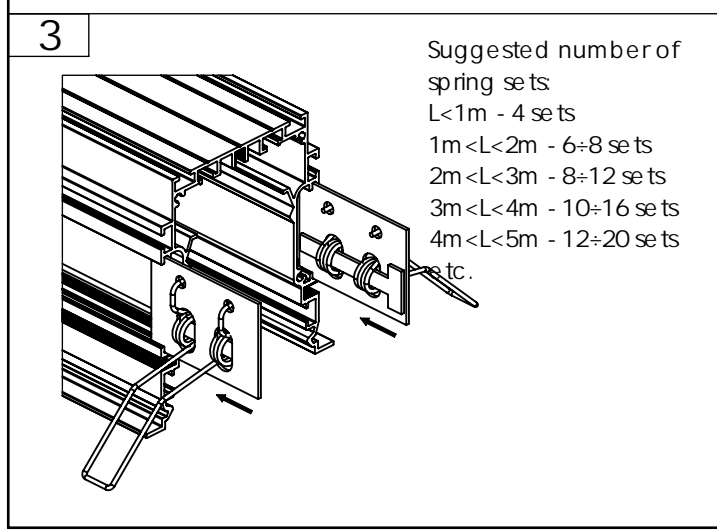
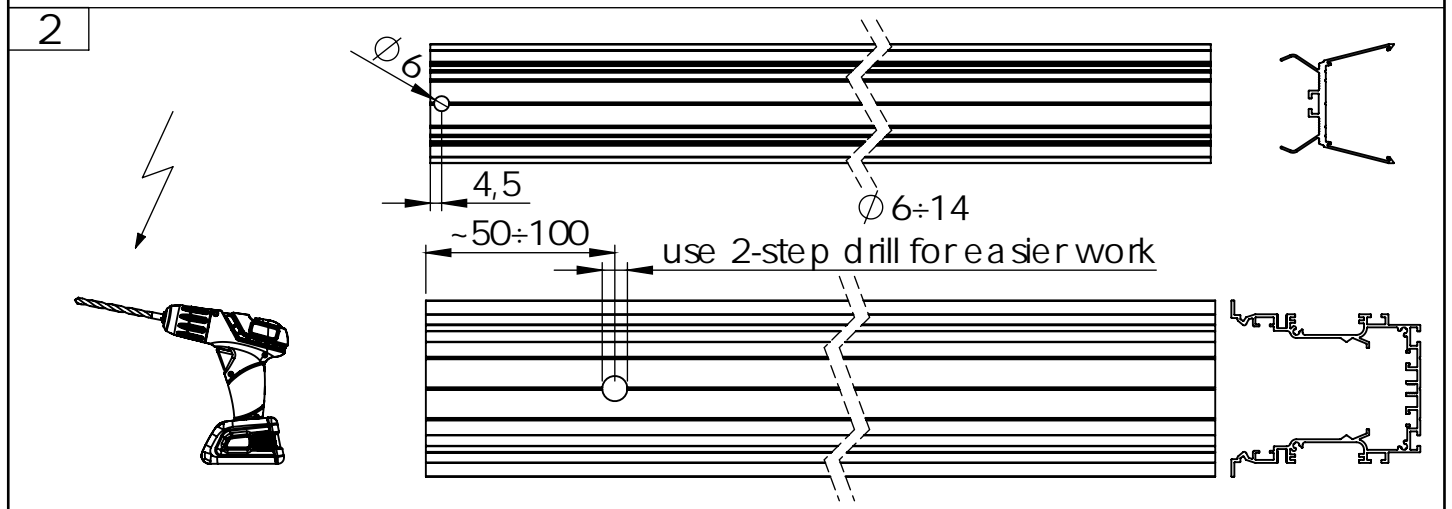
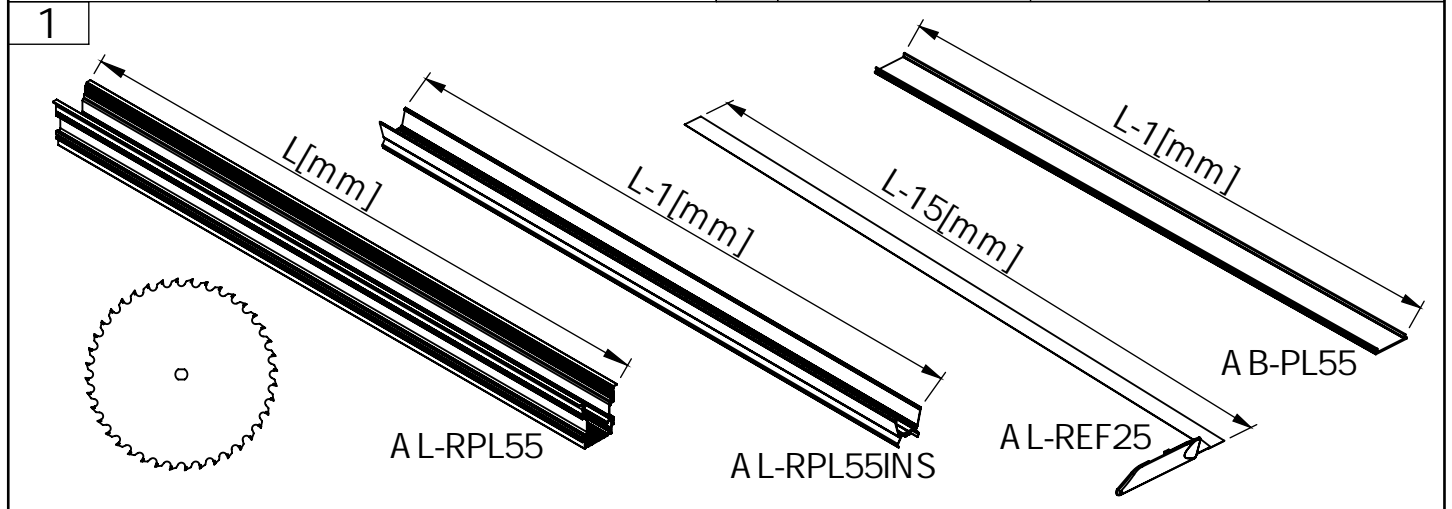
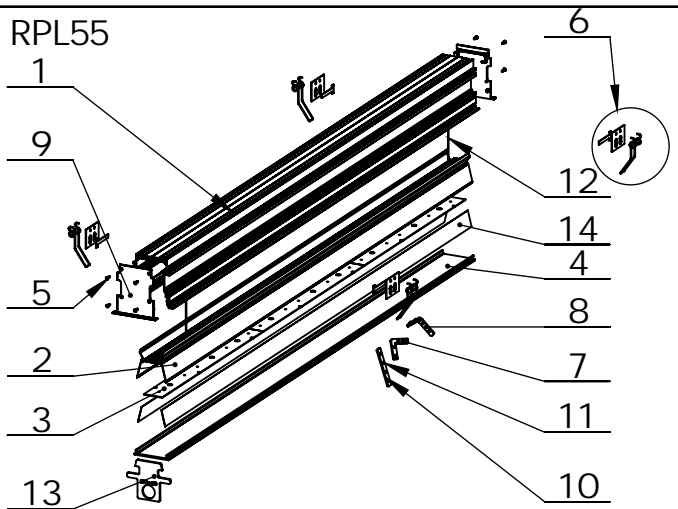
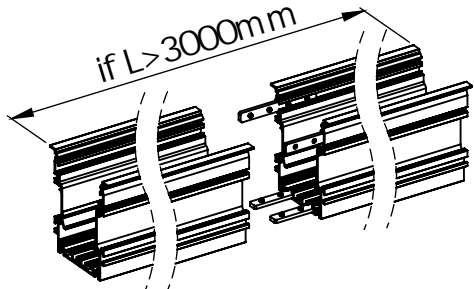
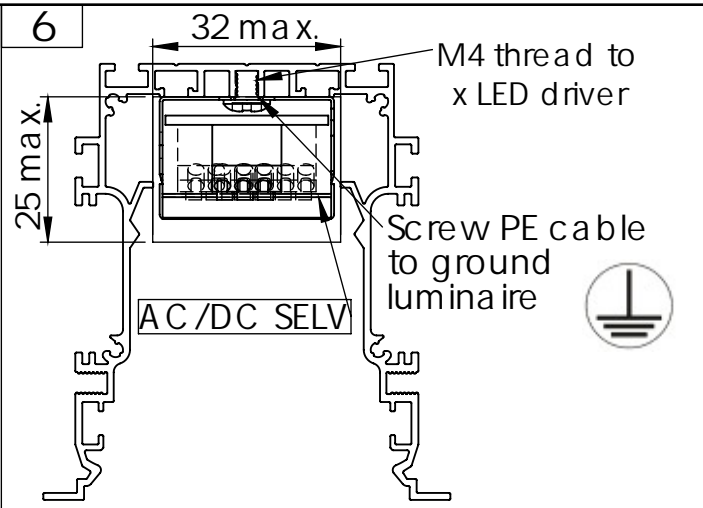
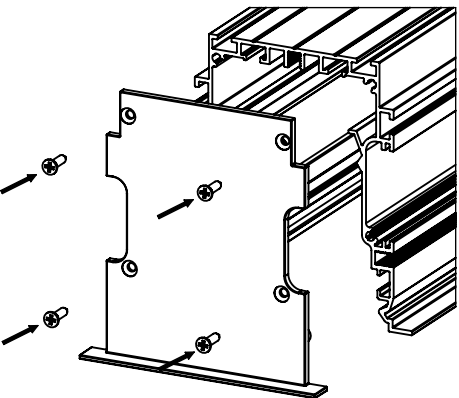
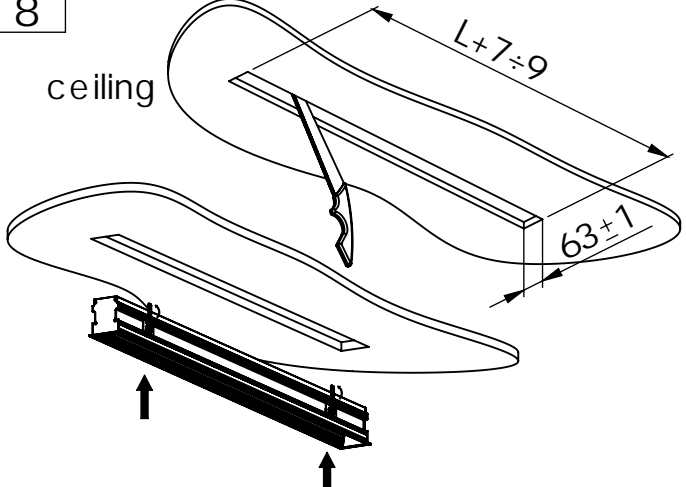
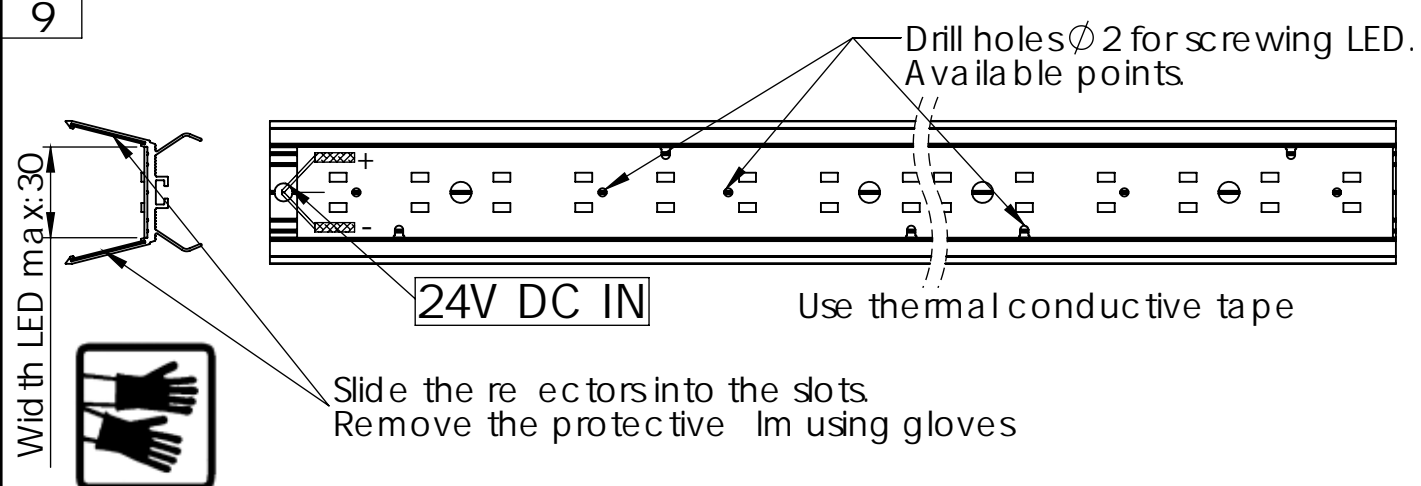
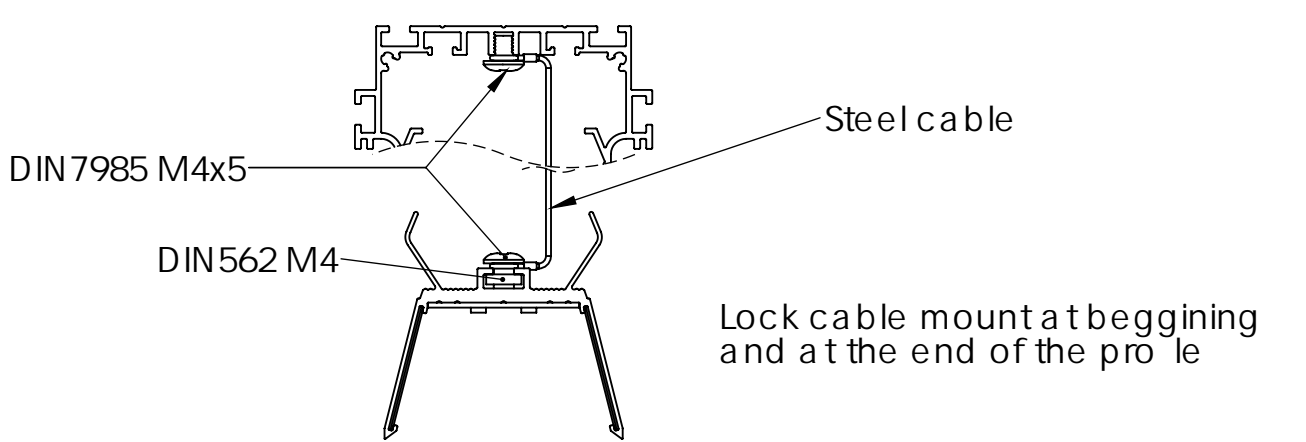


Instruction for mounting

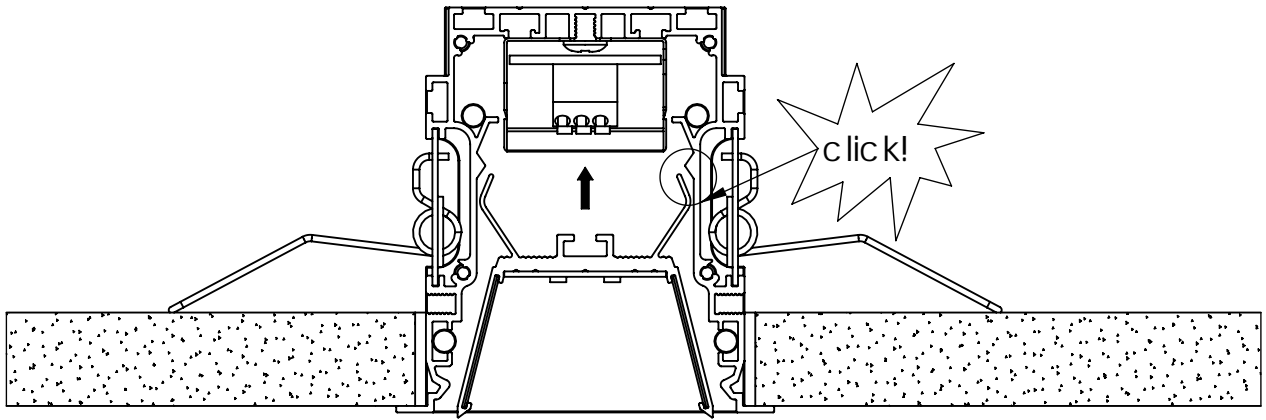
Item	Code	Comments	Quantity
1	AL-RPL55	aluminium profile 2 or 3[m]	1
2	AL-RPL55INS	aluminium profile 2, or 3[m]	1
3	30x325 PCB with Osram Duris E5 LEDs	LED	3 per [m]
4	AB-PL55/PRI55-M/K	di user 2[m] or 3[m]	1
5	DIN 7982 ST2,2x9,5		4 per EC-RPL55
6	MC-SPR-B	spring set	~4 per 1[m]
7	90LC-HOR		2 per join and 2 per join 90LC-VER
8	90LC-VER		2 per join and 2 per join 90LC-HOR
9	EC-RPL55	end cap	2 per luminaire
10	LC-LIN		4 per join
11	DIN 913 M3x4		4 per 1: LC-LIN / 90LC-HOR / 90LC-VER
12	MC-LOCK-2		2 per 1 luminaire (at the beginning and end of the profile)
13	MC-KEY-RPL55	removing key	1 per meter
14	AL-REF25	Light reflector 25mm Vega95 1,98 or 2,98 [m]	2 per AL-RPL55INS



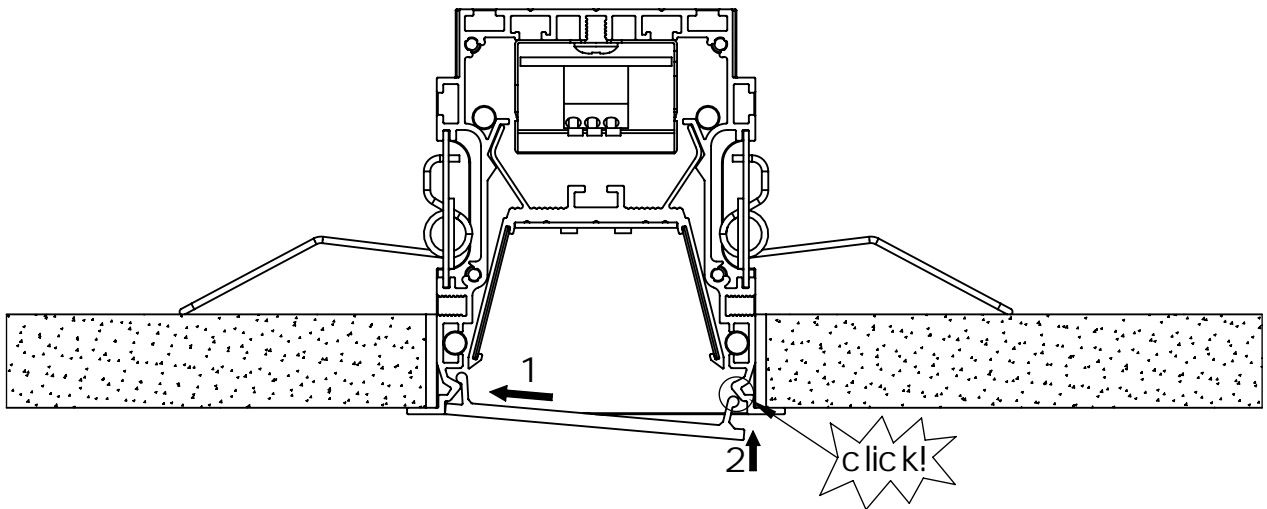
Instruction for mounting

<p>5</p> <p>4x LC -LIN 16x DIN913 M3x4</p> 	<p>6</p> 
<p>7</p> 	<p>8</p> 
<p>9</p>  <p>Slide the re ectors into the slots Remove the protective lm using gloves</p>	
<p>10</p>  <p>Lock cable mount at beginning and at the end of the pro le</p>	

11



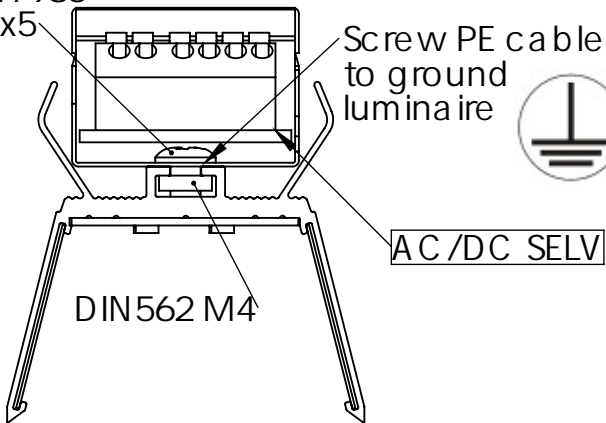
12



13

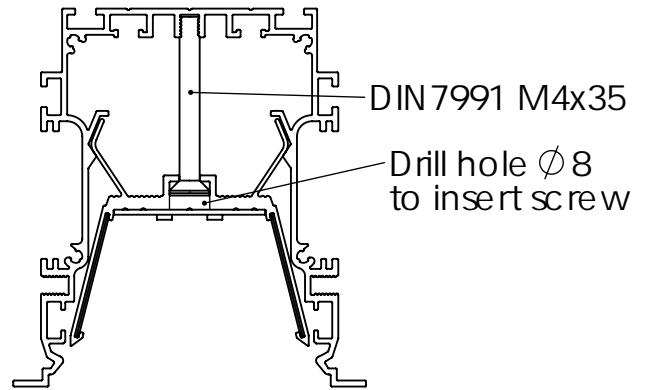
Alternative mounting method of LED driver

DIN 7985
M4x5

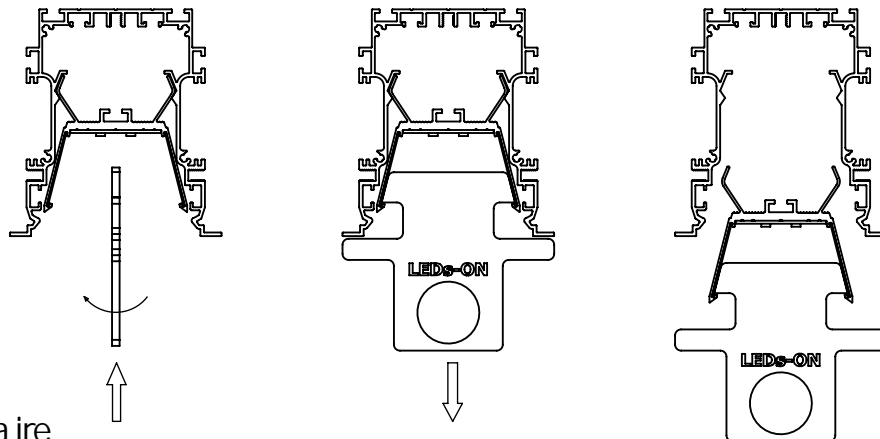


14

Alternative mounting method of AL-RPL55IN



15



Service luminaire