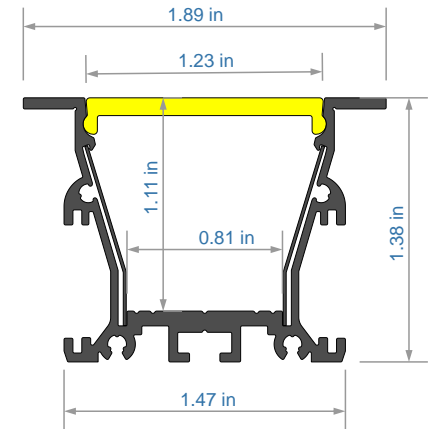




RPL35-FL

Recess LED Strip Channel

It is a narrow, high-quality aluminum anodised profile for plasterboard ceilings. The profile is equipped in reflectors made out of high-polished aluminum for a better light distribution. This improves the luminaire efficiency by 10-18% (depending on the LEDs type). The profile allows you to easily attach a 20mm wide PCB in the Zhaga standard. The profile is designed to distribute the heat efficiently all the way up to 36W/m without going over 50 degree Celsius. (ambient temperature 25 degrees C). Profile is mounted in the ceiling using springs without any additional tools. The profile is designed for ceilings up to 18mm thickness. Channels at the top of the profile allows the installation of the power supply and security cables. The RPL35 FL profile is available with UV and impact resistant, snap-in di users: Transparent, matt, prismatic, transparent and prismatic matt.



- LED-AL-RPL35FL
- LED-AL-REF-RPL35FL
- IRIS SERIS LED STRIP
- LED-AB-PL-K/M or LED-AB-PL-PRI
- LED-EC-RPL35 FL



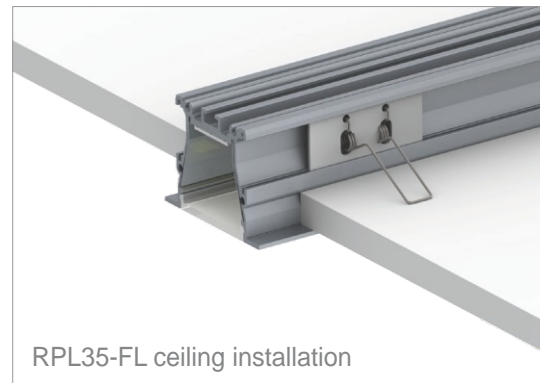
Various connectors available



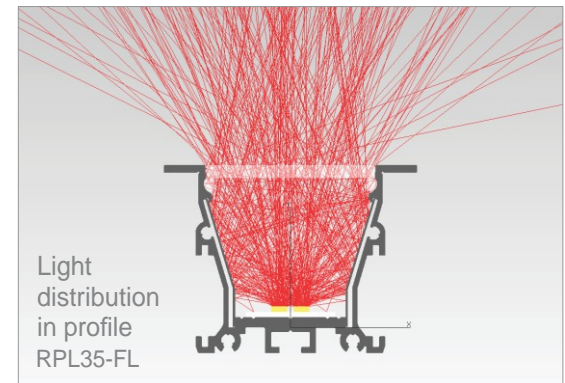
Spring bracket , 2pcs set
LED-MC-SPR-A



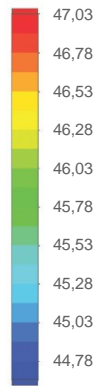
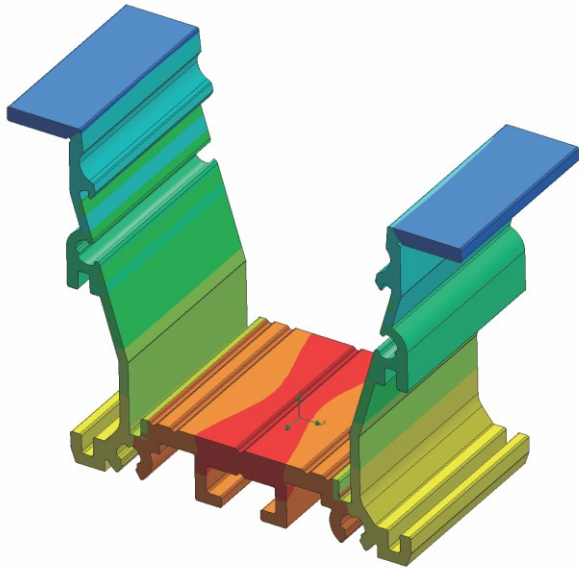
Aluminum end caps
LED-EC-RPL35 FL



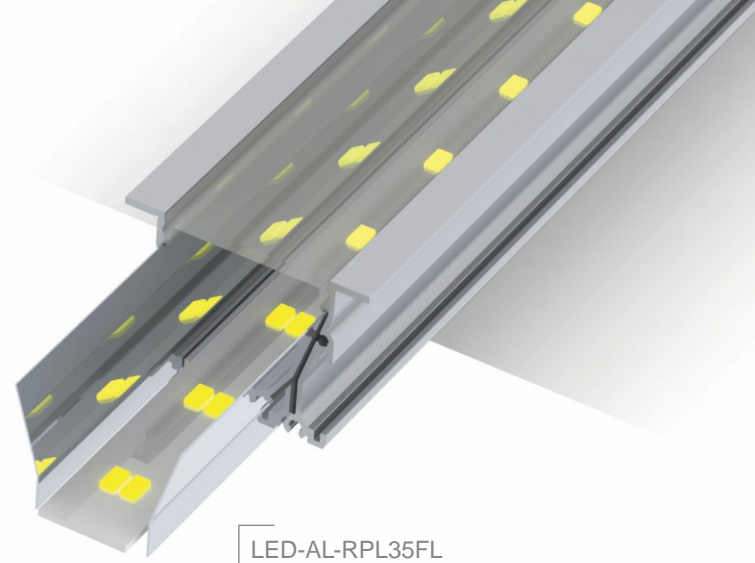
RPL35-FL ceiling installation



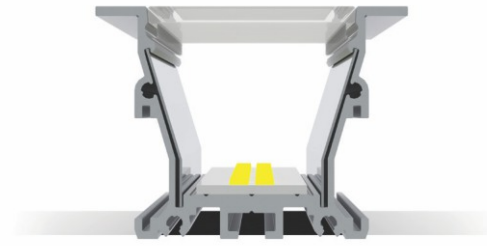
Light distribution in profile
RPL35-FL



Temperature (Solid) [°C]
 Temperature ambient: 25°C
 Total power: 36W/m



LED-AL-RPL35FL
 LED-AL-REF-RPL35FL
 LED-AB-PL-K/M or LED-AB-PL-PRI
 LED-MC-LOCK2



Cross section view
 RPL35-FL



LED-AL-RPL35FL
 LED-AL-REF-RPL35FL
 LED-AB-PL-K/M or AB-PL-PRI
 LED-MC-SPR-A
 LED-LC-LIN
 LED-MC-LOCK2

Polar Candela Distribution Plot
 Using Missed Rays

