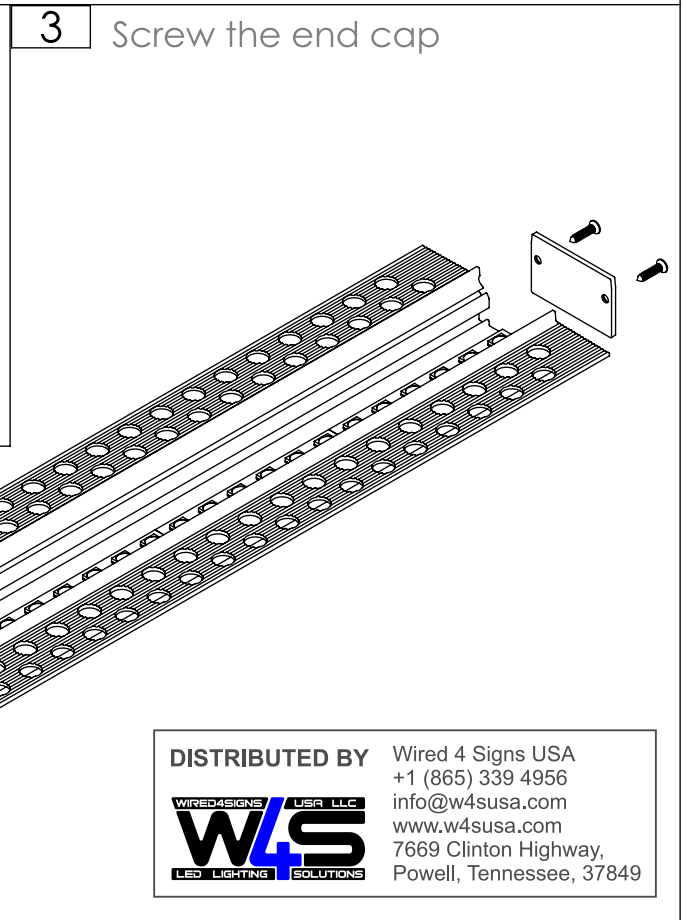
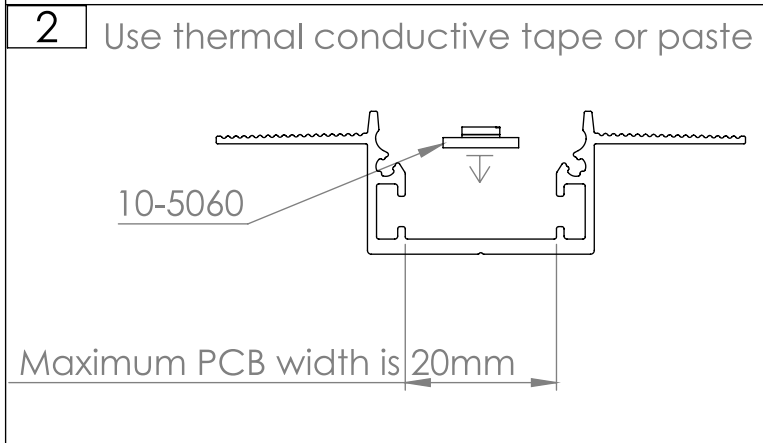
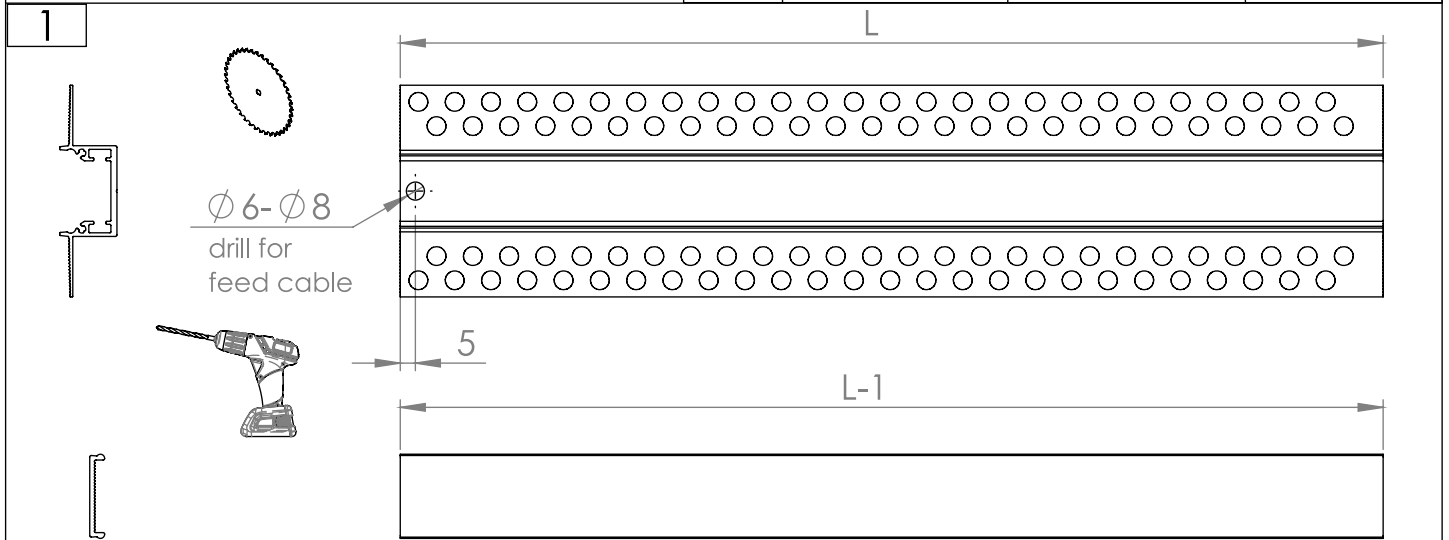
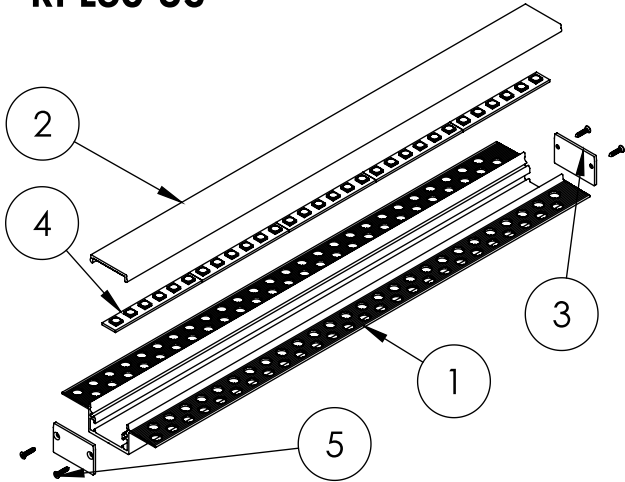


RPL30 US

List of luminaire components

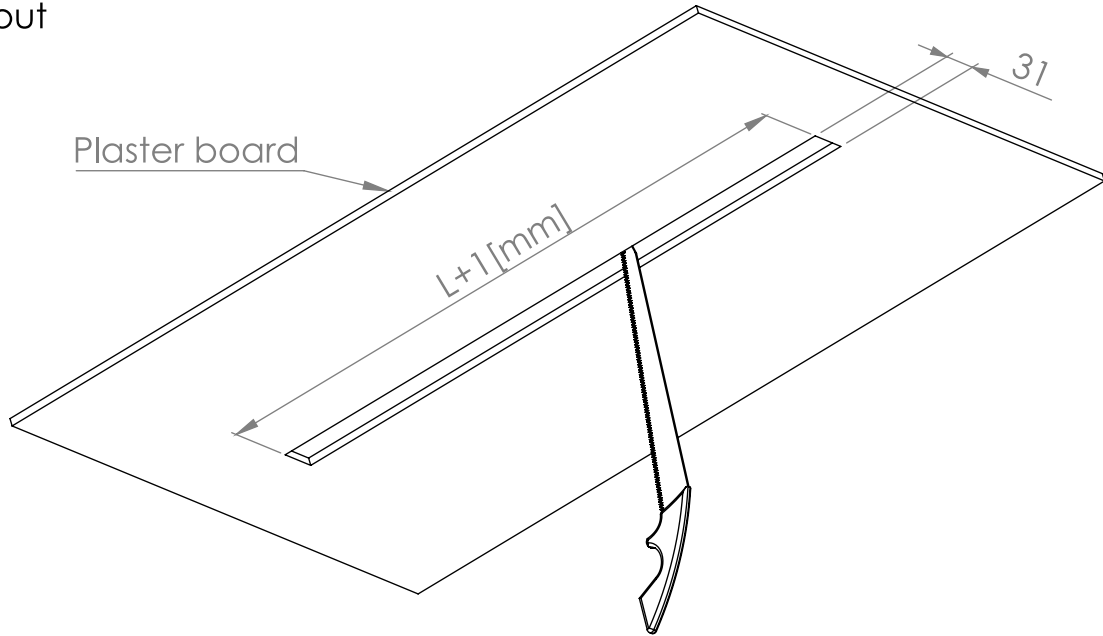
Item	Code	Comments	Quantity
1	AL-RPL30 US	2,3 or 6.1 [m]	1
2	AB-PLS	2,3 or 6.1 [m]	1
3	EC-RPL30 US	end cap	2 per luminaire
4	10-5060	24VDC LED 5060	5 per 1 [m]
5	DIN 7982 ST2.2x9.5	in set	2 per end cap



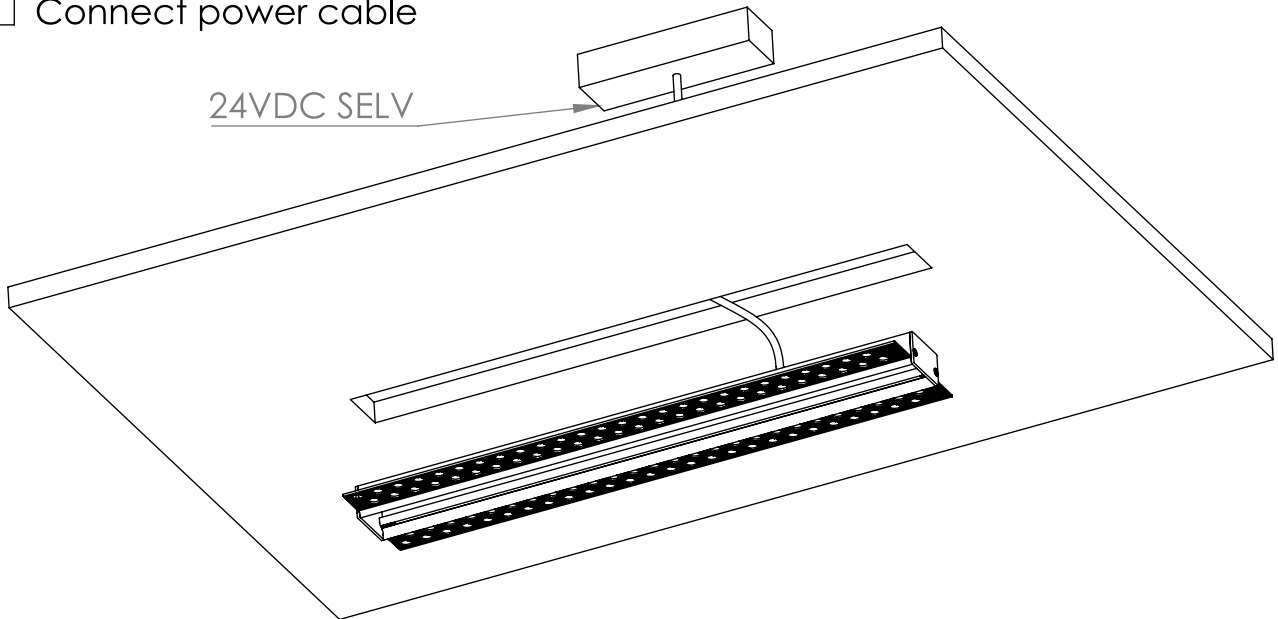
DISTRIBUTED BY

 WIRED4SIGNS USA LLC
 LED LIGHTING SOLUTIONS
 Wired 4 Signs USA
 +1 (865) 339 4956
 info@w4susa.com
 www.w4susa.com
 7669 Clinton Highway,
 Powell, Tennessee, 37849

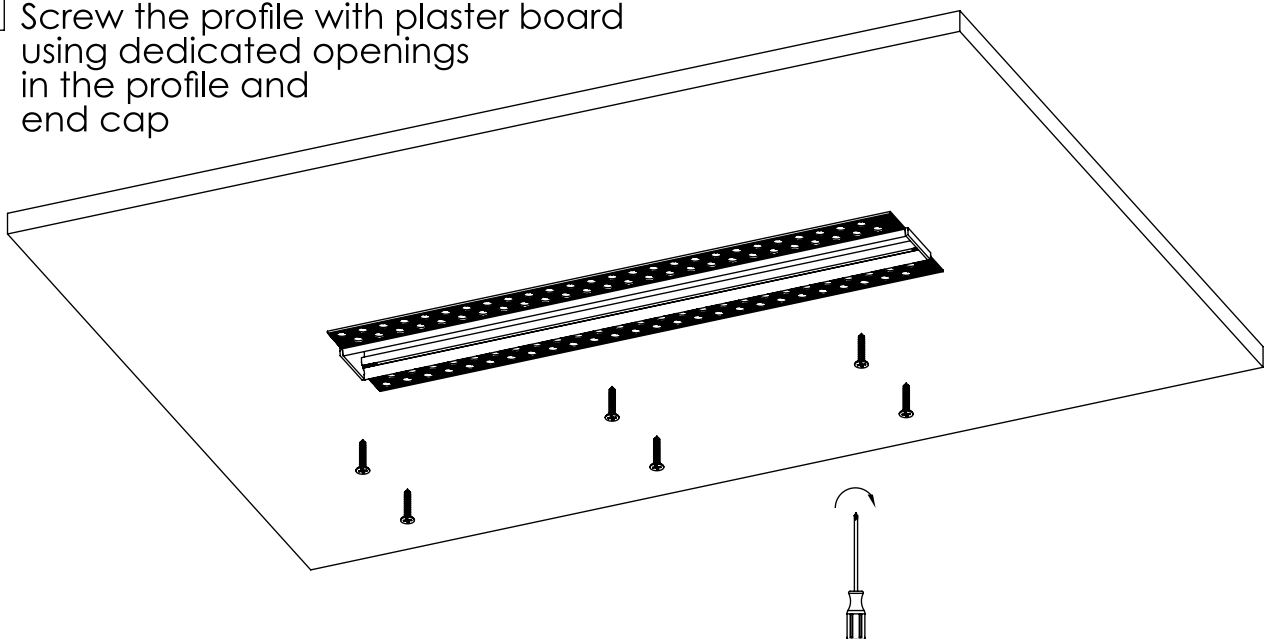
4 Cut out



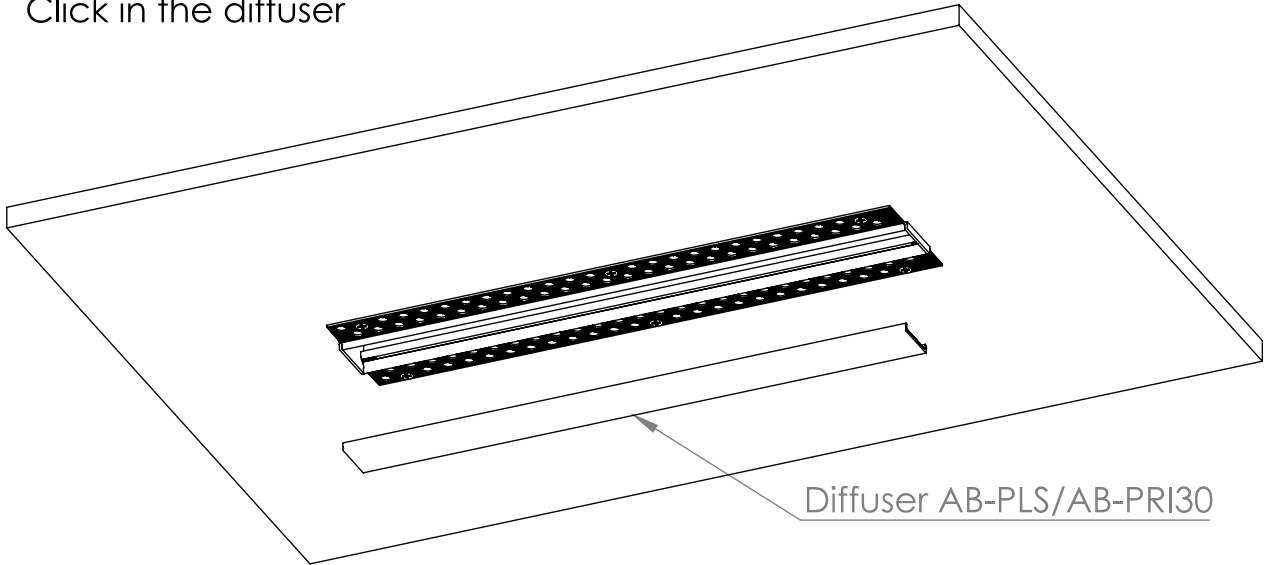
5 Connect power cable



6 Screw the profile with plaster board using dedicated openings in the profile and end cap

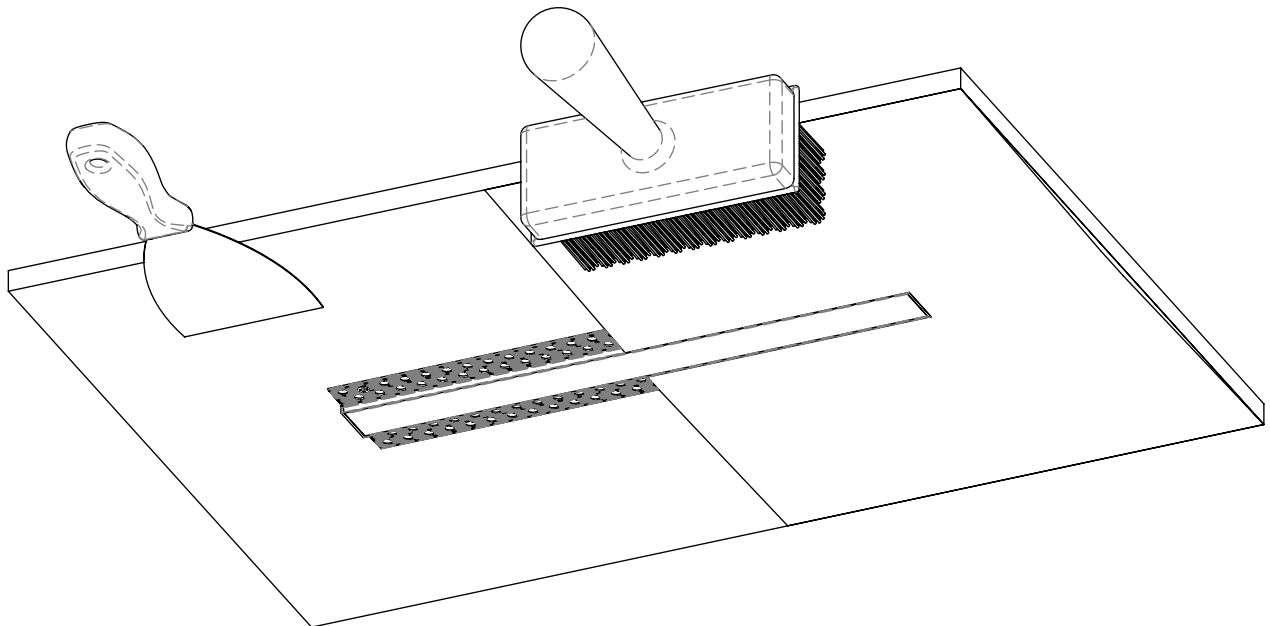


7 Click in the diffuser

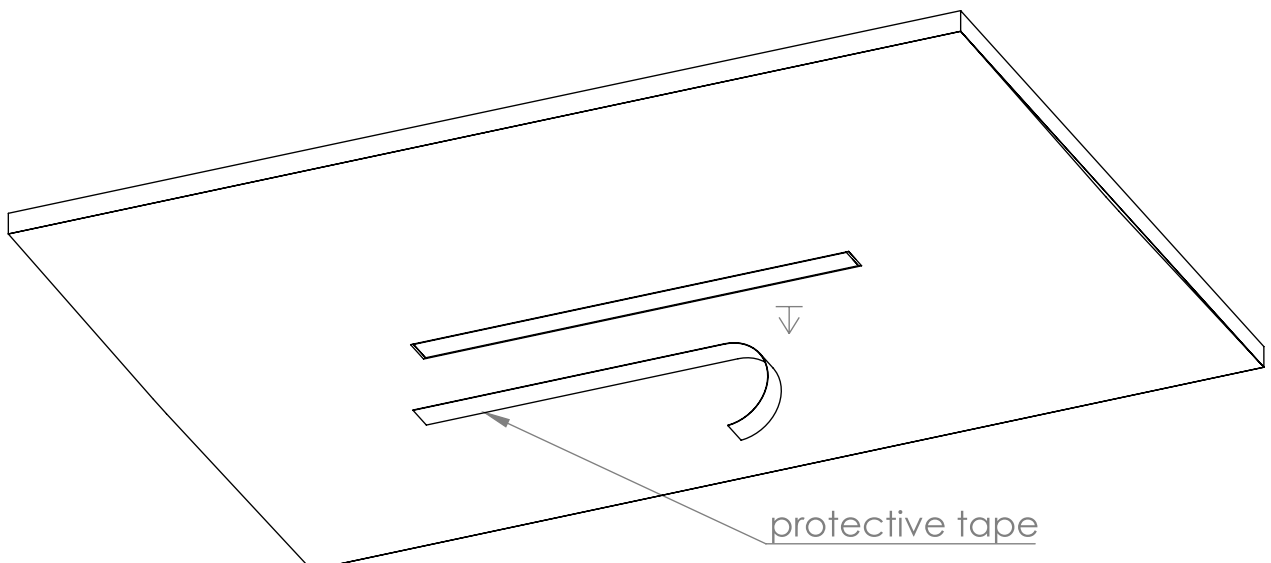


Diffuser AB-PLS/AB-PRI30

8 Cover the LED, reflectors and diffuser with protective tape before plastering



9 Remove the protective tape.
Clean the surface with alcohol to remove any dust or debris



protective tape