

Figure 1
Install the baseplate into reinforced concrete
Run the 110V electrical source wires

Figure 1
Connect the 110V power source to the 24V PSU

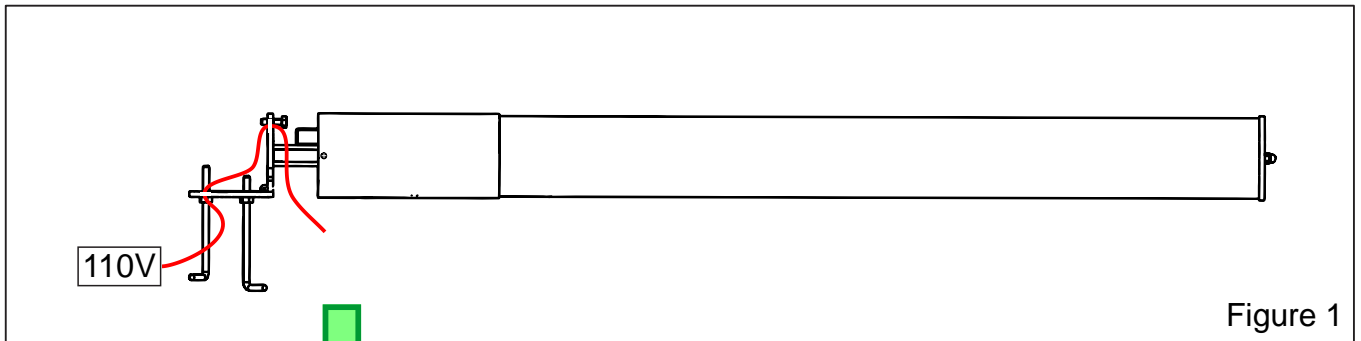


Figure 1

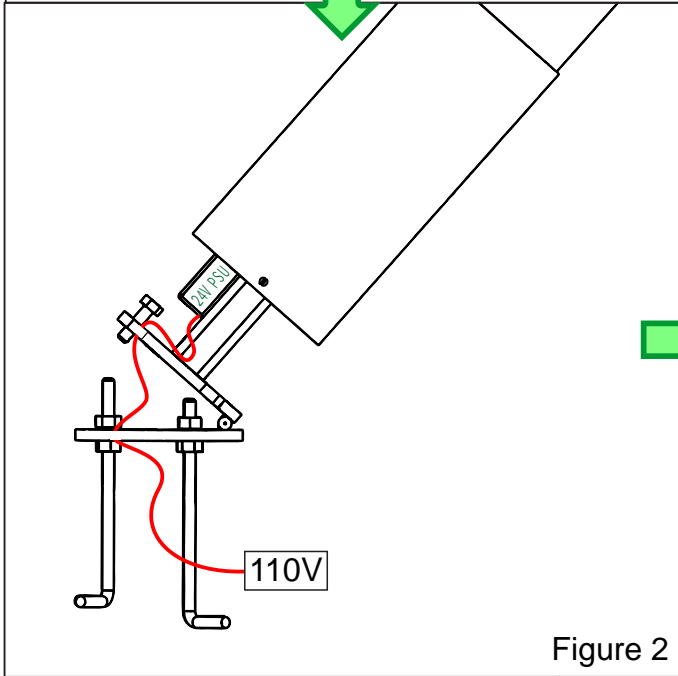


Figure 2

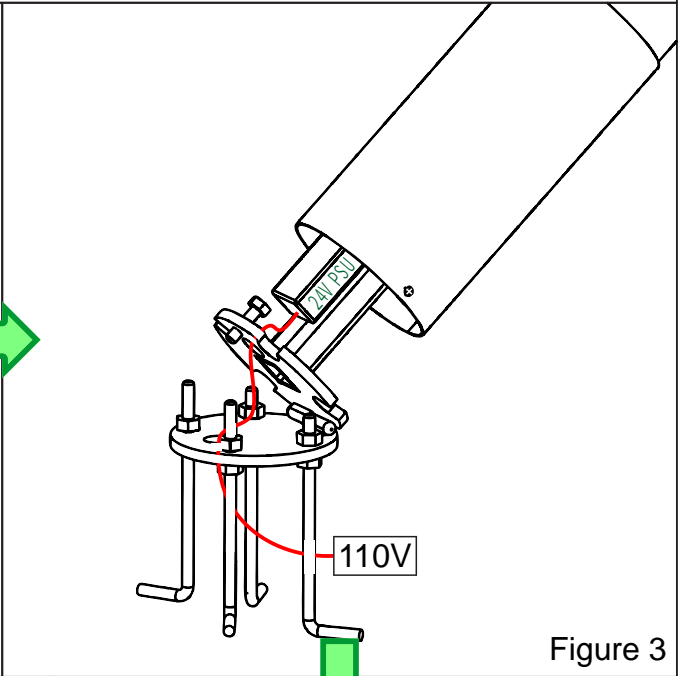


Figure 3

Figures 2 to 4
tilt the pillar in the upright position

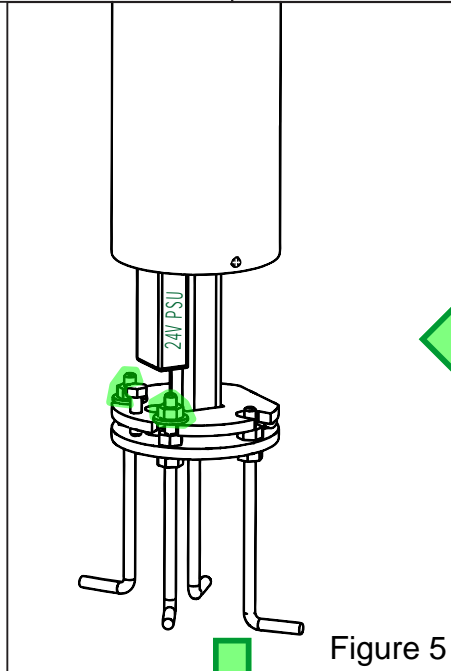


Figure 4

Figure 5
Install securing bolts to hold the pillar in the vertical position

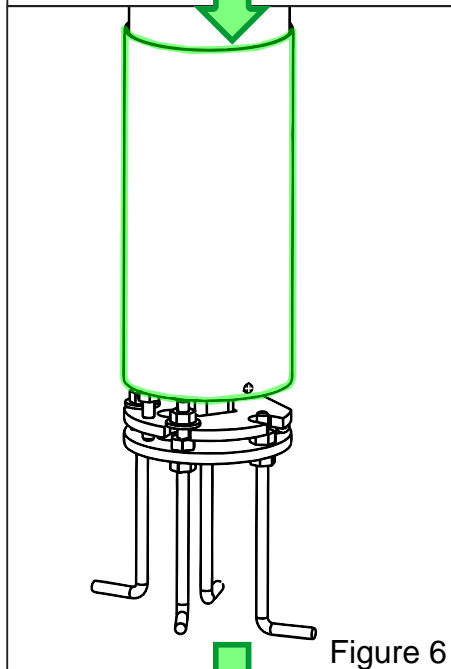


Figure 5

Figure 6
Lower the stainless steel sleeve over the hinge assembly

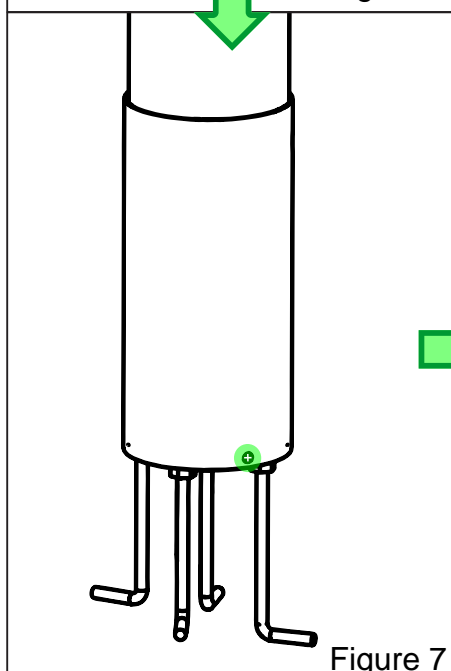


Figure 6

Figure 7
Tighten the screw to secure the stainless steel sleeve

Figure 7

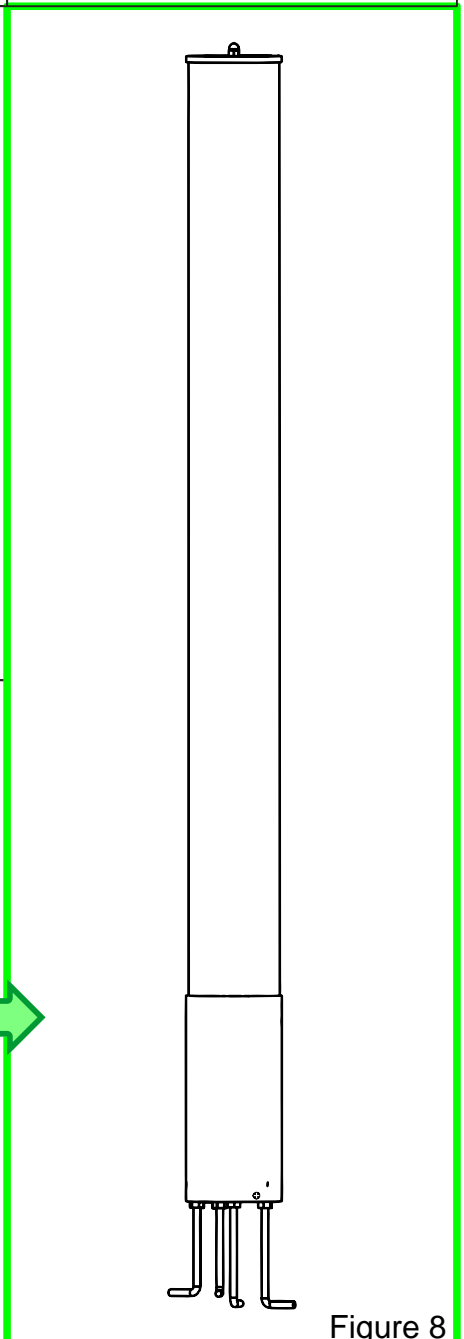


Figure 8