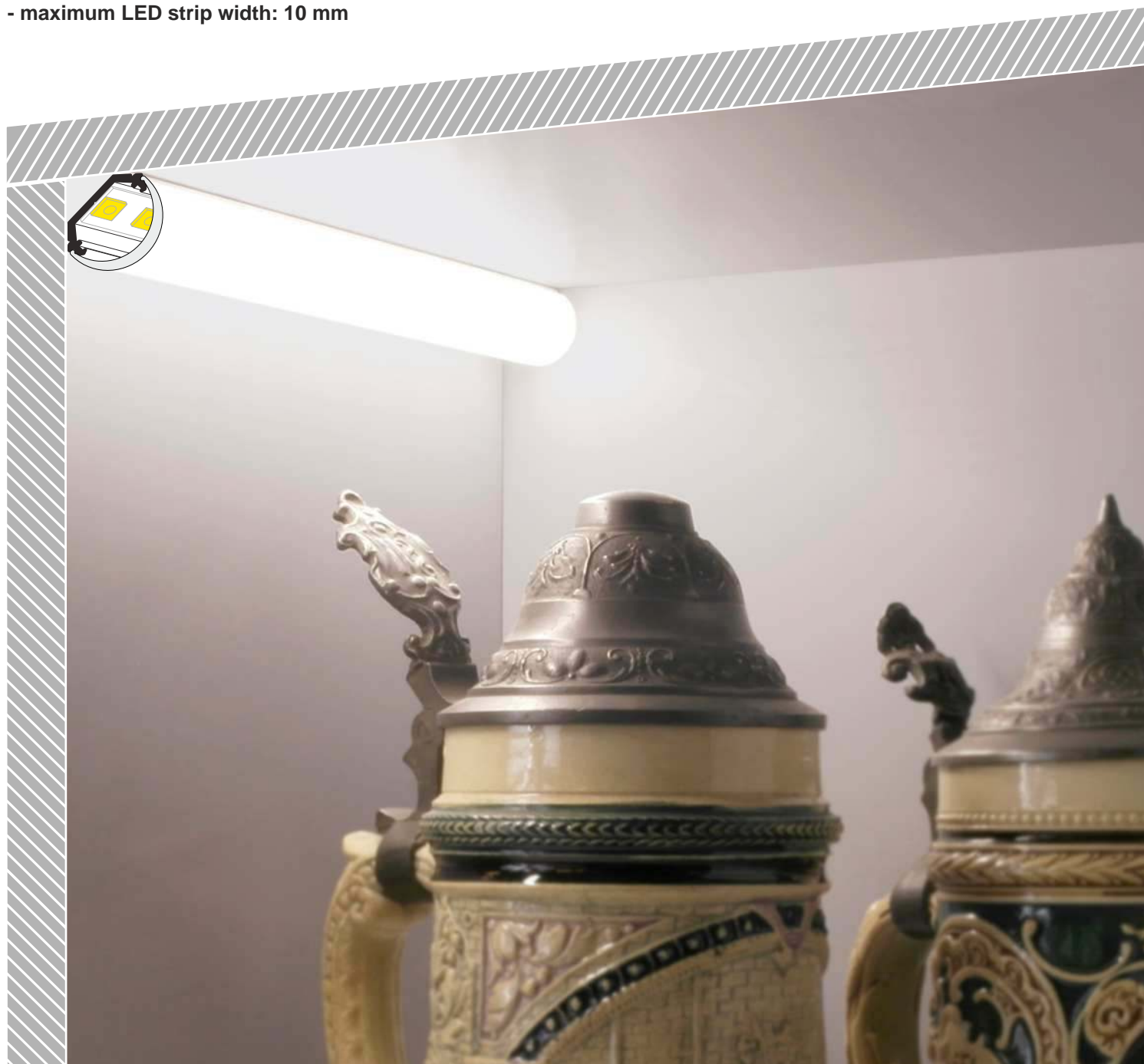


Corner mount LED Channel

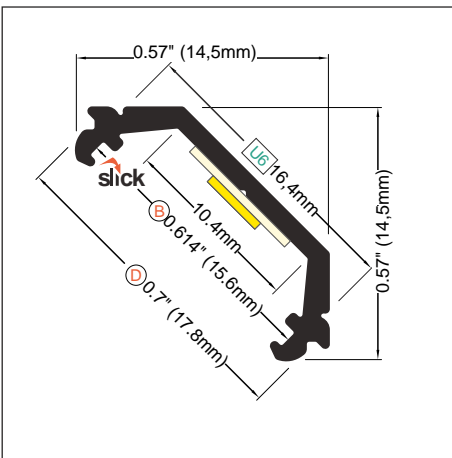
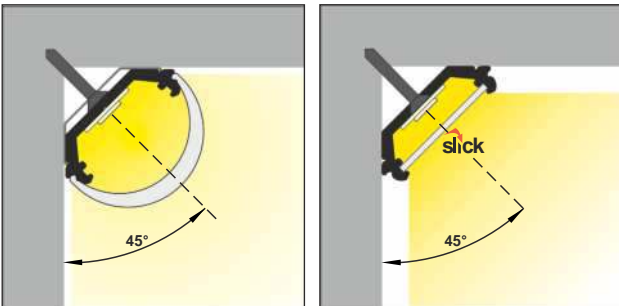
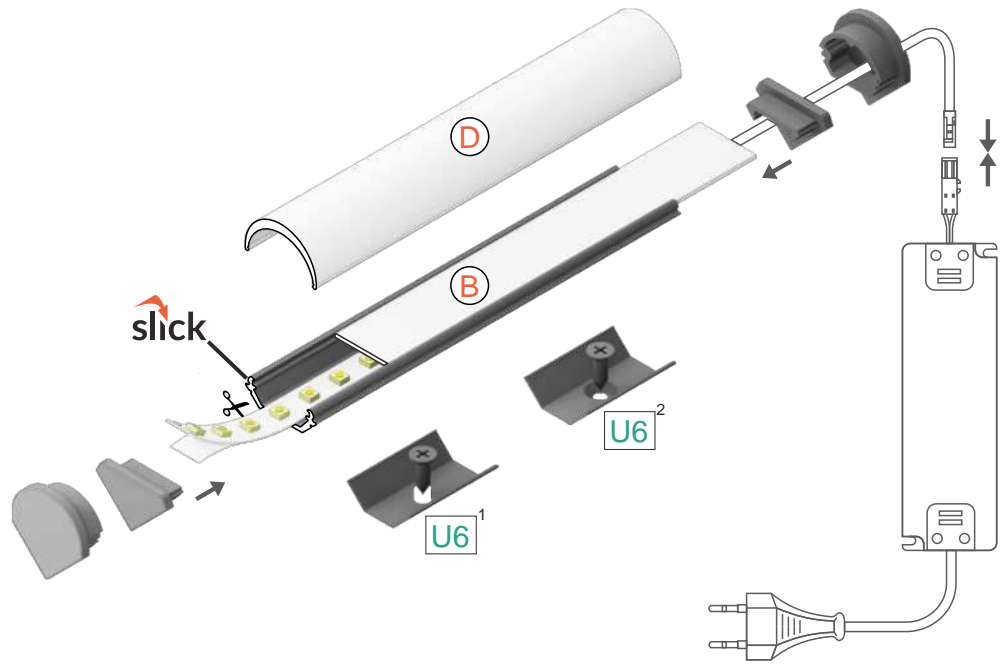
QUARTER10

LIGHT AT AN ANGLE

- full circle quadrant illumination
- LED strip aligned to 45° angle
- Slick socket
- maximum LED strip width: 10 mm



- B B slide cover
- D D click cover
- U6¹ U6 mounting plate
- U6² cone U6 mounting plate



length 2000 mm
The standard profile length tolerance is +20 mm.

anodized

ACCESSORIES

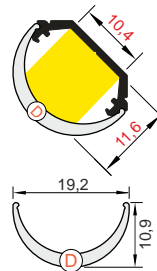
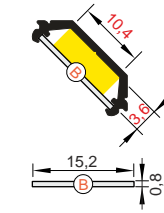
COVERS

B slide cover
 colours: transparent, frosted, opal
 material: PC, PP, PP

D click cover
 colour: opal
 material: PMMA



Note! Dimensions of the space to install LED source



length 2000 mm

B transparent
 index = 10 pcs
LED-76250016-T

B frosted
 index = 10 pcs
LED-76250039-F

B opal
 index = 10 pcs
LED-76250038-O

D opal
 index = 1 pc
LED-A1140038

The standard cover length tolerance is +20 mm.

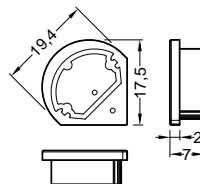
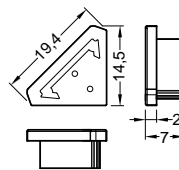
ENDINGS

QUARTER10 ending
 colours: silver, grey
 material: ABS

QUARTER10 D ending
 colours: silver, grey
 material: ABS



Ending with marked space to bore the holes.



INDEX = 10 sets = 20 pcs

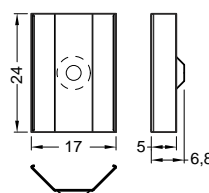
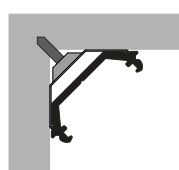
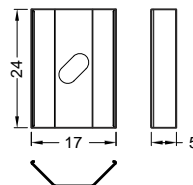
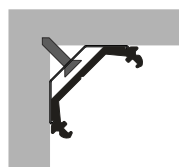
silver
LED-D3980040
 grey
LED-D3980022

silver
LED-D3990040
 grey
LED-D3990022

MOUNTINGS / MOCOWANIA

U6 mounting plate
 colours: inox
 material: stainless steel

cone **U6** mounting plate
 colours: inox
 material: stainless steel



INDEX = 10 sets = 20 pcs

inox
LED-D3960019

inox
LED-D3970019

