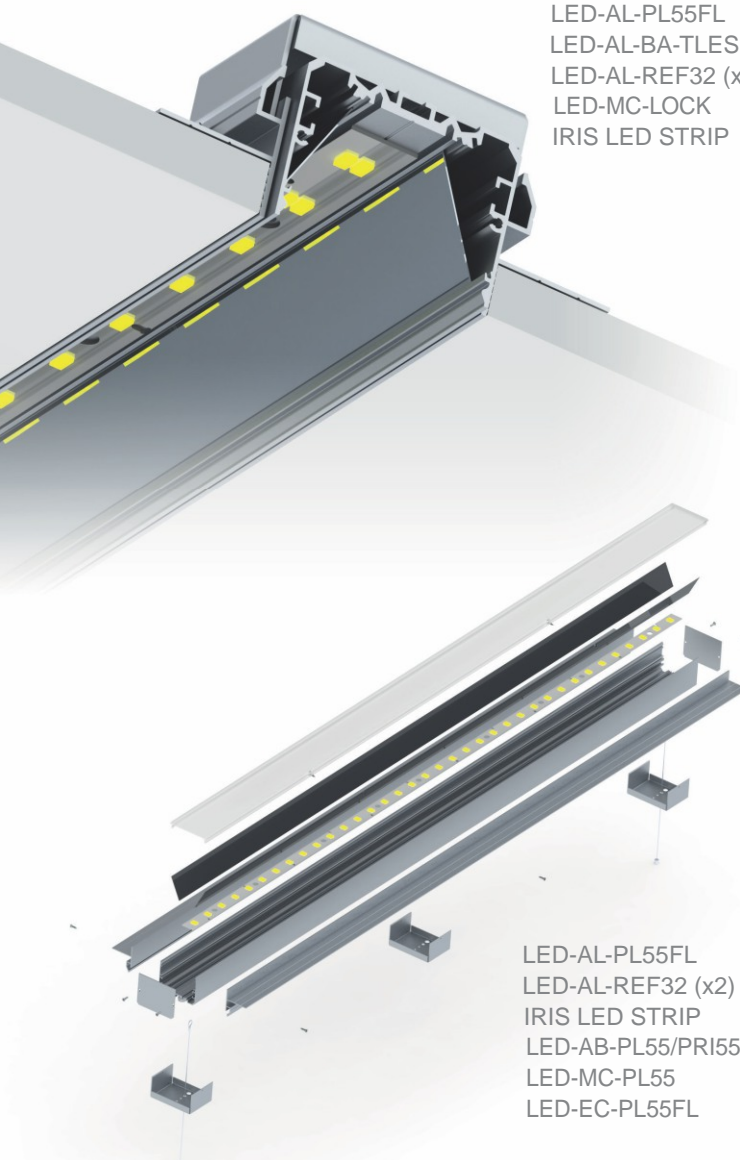


PL55 FL LED PROFILE

2" Wide Aluminum Linear LED Lighting Profile

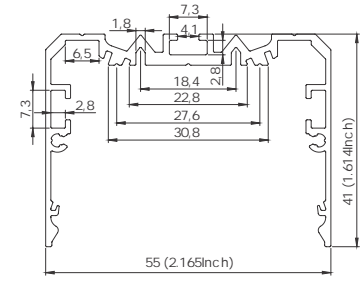
PL55 FL in trimless installation



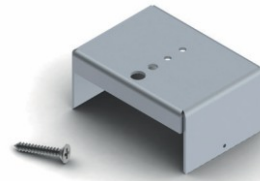
LED-AL-PL55FL
LED-AL-BA-TLESS (x2)
LED-AL-REF32 (x2)
LED-MC-LOCK
IRIS LED STRIP

LED-AL-PL55FL
LED-AL-REF32 (x2)
IRIS LED STRIP
LED-AB-PL55/PRI55-M/K
LED-MC-PL55
LED-EC-PL55FL

PL55-FL is a new version of the POWER LINE 55 profile. This multifunctional LED profile can be suspended, installed on a flat surface and also built in a trim-less manner. With this profile you can easily mount LED light sources with a power of up to 36 W/m without worrying about the overheating of the luminaire. The profile has been designed in such a way that it can be equipped with reflectors made of highly polished aluminium with a high reflectivity (> 95%). In addition, the reflectors can be set in two positions to get a narrow or a wide light distribution depending on your needs. The profile has been designed so that there are no visible points of light. A range of covers are available including matt or two prismatic di users: transparent and opal. Thanks to the available accessories, such as the line and angle connectors along with the safety cables the installation process is safe and easy.



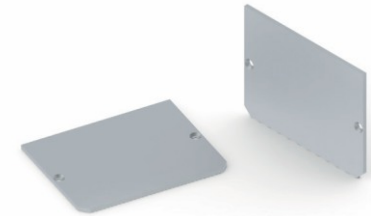
Dimensions in millimeters



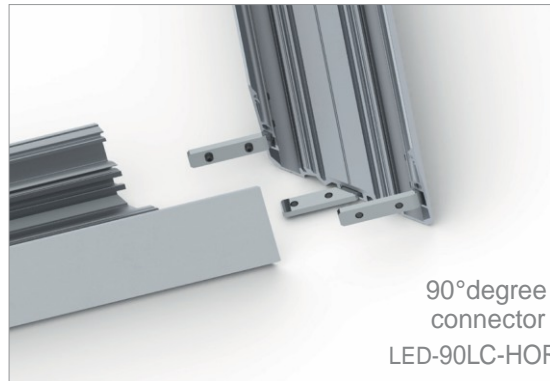
Mounting Brackets
LED-MC-PL55



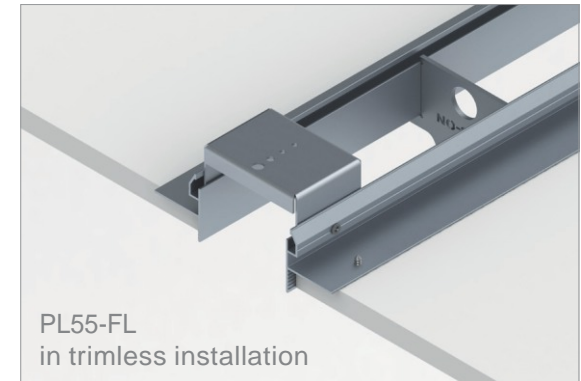
LED-MC-KEY-PL55



Aluminum end caps
LED-EC-PL55FL



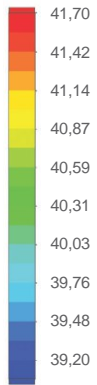
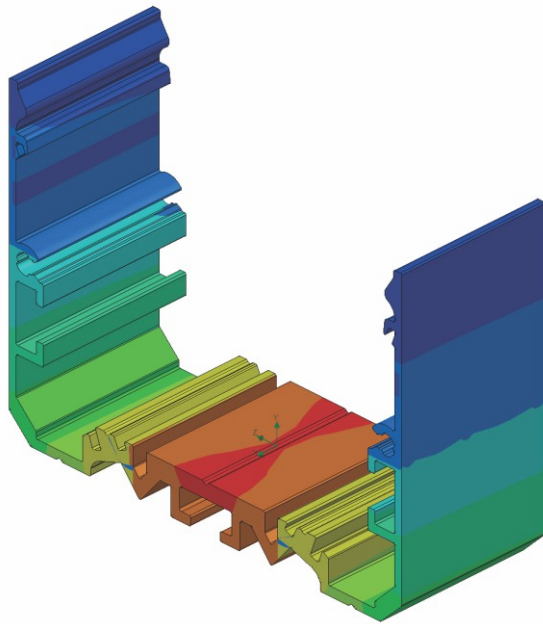
90° degree
connector
LED-90LC-HOR



PL55-FL
in trimless installation

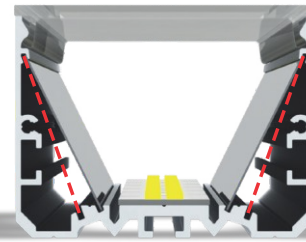


* Parameters tolerance +/- 7%



Temperature (Solid) [°C]
 Temperature ambient: 25°C
 Total power: 36W/m (72 LEDs)
 LED stripe: 30-DURIS
 Installation mode for test purpose: pendant

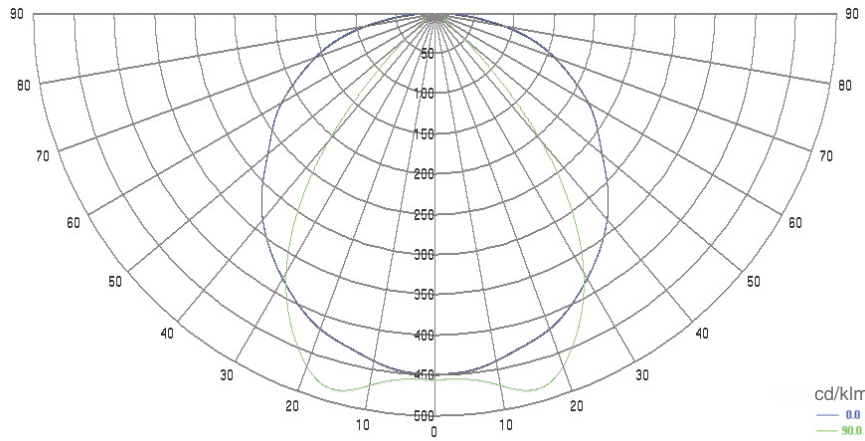
LED-AL-PL55FL
 LED-AL-REF32 (x2)
 IRIS SERIS LED STRIP
 LED-AB-PL55/PRI55-M/K



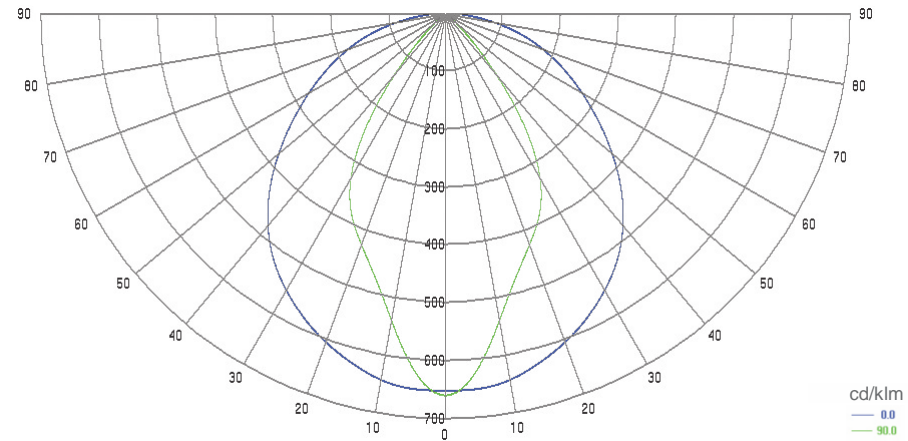
Cross section view of PL55-FL with (2) positioning slots for reflectors

Polar Candela Distribution Plot Using Missed Rays

Light reflector in slot 1: light more uniform



Light reflector in slot 2: light more concentrated (60° degree)



* Parameters tolerance +/- 7%