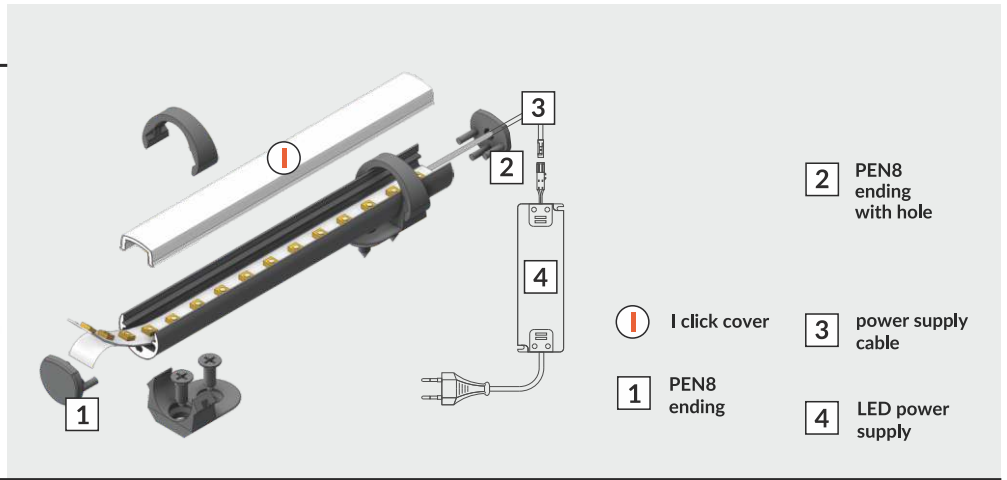
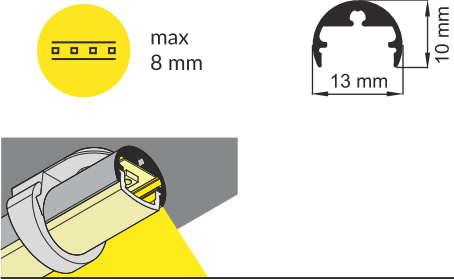
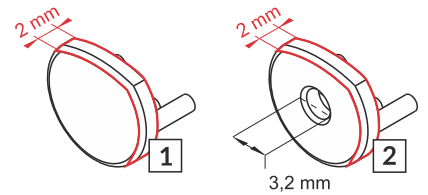
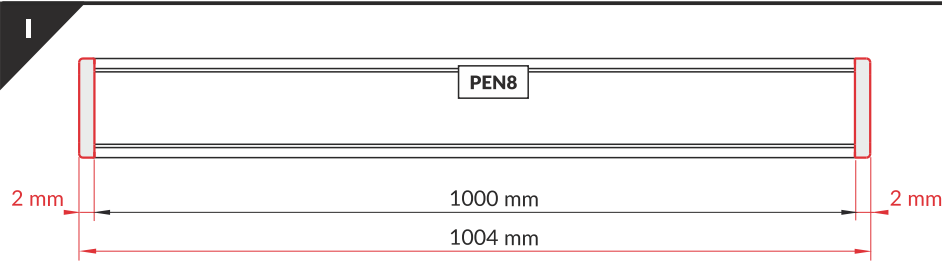


PEN8 I

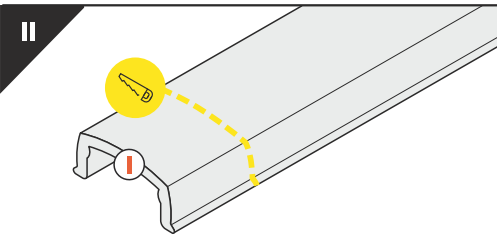
SURFACE PROFILE



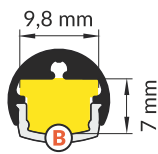
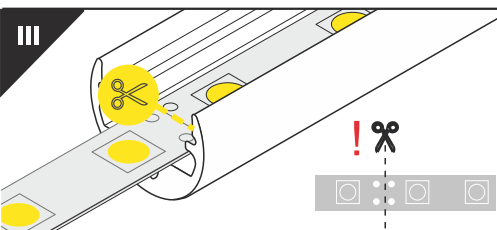
- scissors
- pliers
- hacksaw
- soldering iron
- solder
- drill



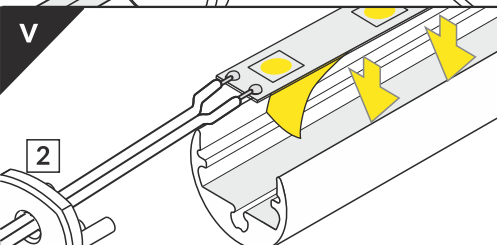
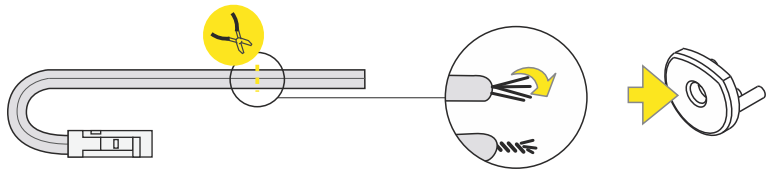
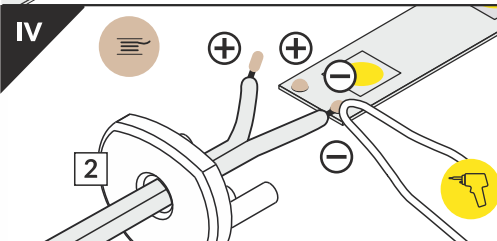
Note! Ending thickness increases the length of the luminaires (+ 2 x 2 mm).



The length of the cover is equal to the length of the profile.



Dimensions of the space to install LED source

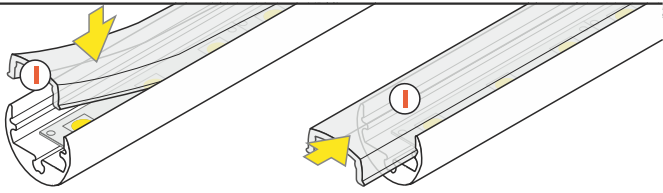


Wired 4 Signs USA +1 (865)
339 4956 info@w4susa.com
www.w4susa.com 7669
Clinton Highway, Powell,
Tennessee, 37849

DISTRIBUTED BY



VI

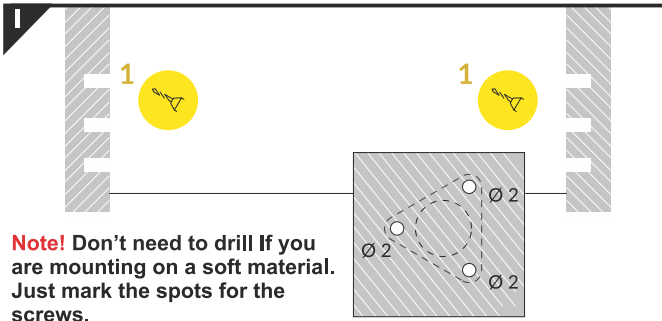


I slide cover or click

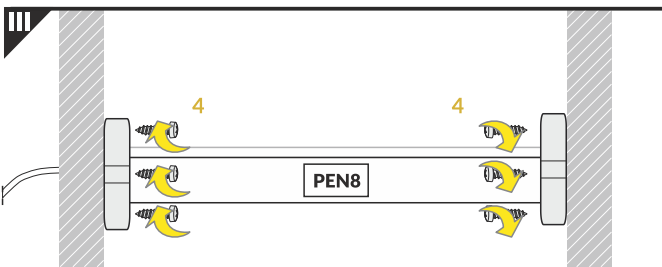
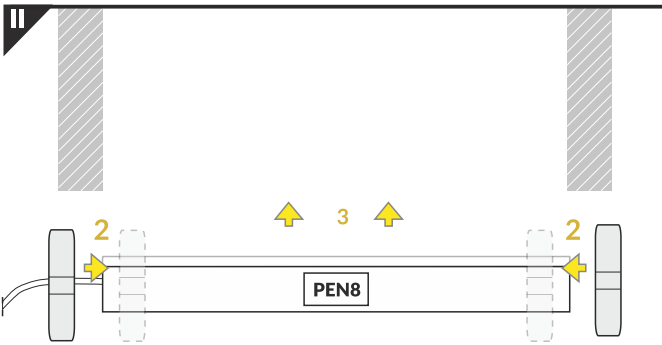
VII MOUNTING

- page 2 PEN8 simple holder
- page 2 PEN8 ring holder
- page 3 PEN8 holder flat
- page 3 PEN8 stretcher holder
- page 4 PEN8 jointed holder with thread
- page 5 PEN8 jointed holder with ceiling
- page 6 PEN8 double holder with threads
- page 7 PEN8 double holder with ceilings
- page 8 PEN8 end holder

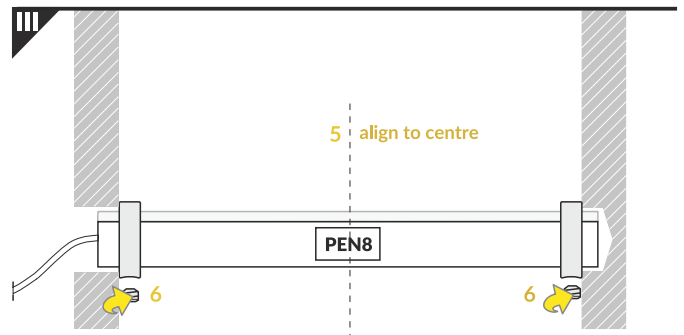
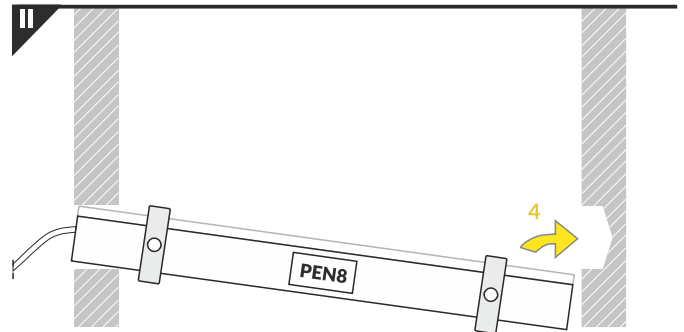
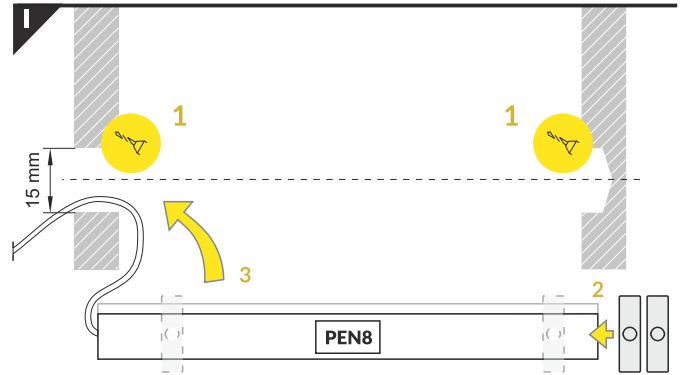
PEN8 simple holder / uchwyt PEN8 prosty



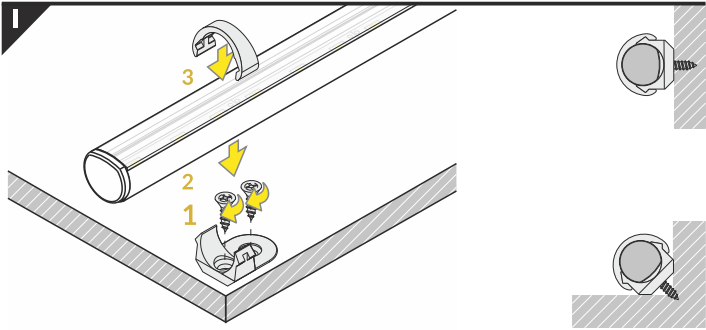
Note! Don't need to drill if you are mounting on a soft material. Just mark the spots for the screws.



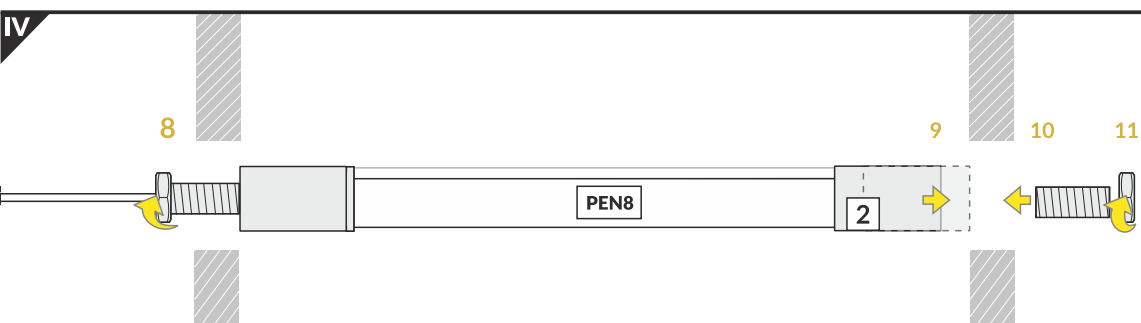
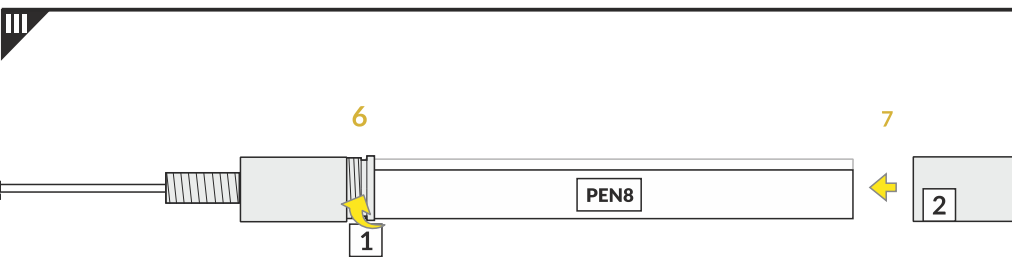
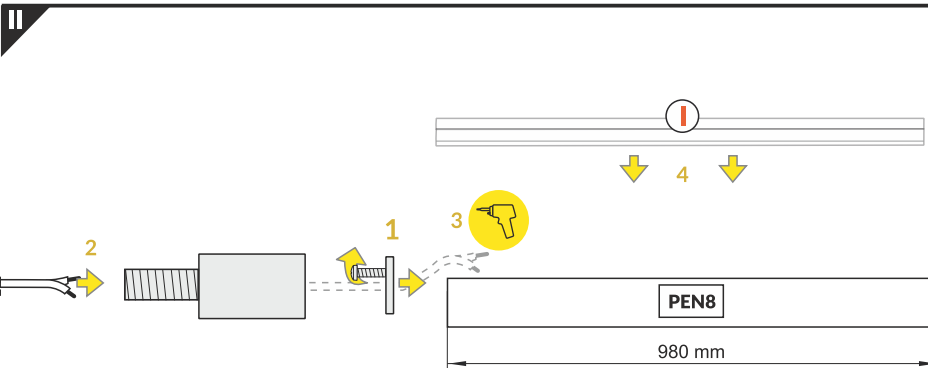
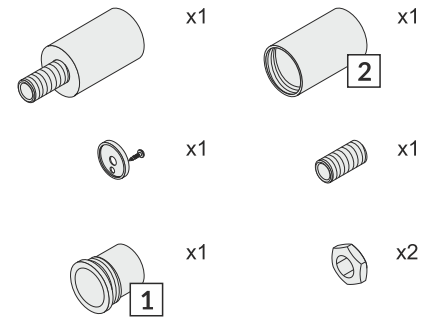
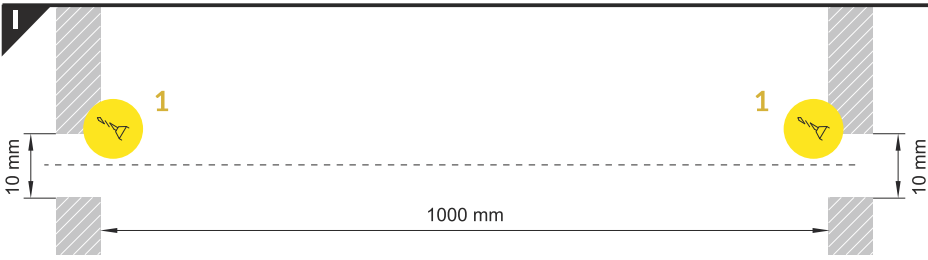
PEN8 ring holder / uchwyt PEN8 ring



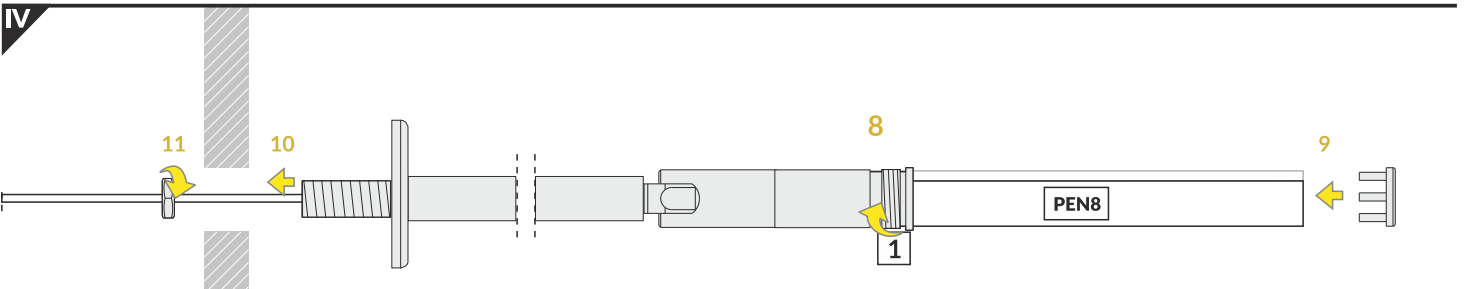
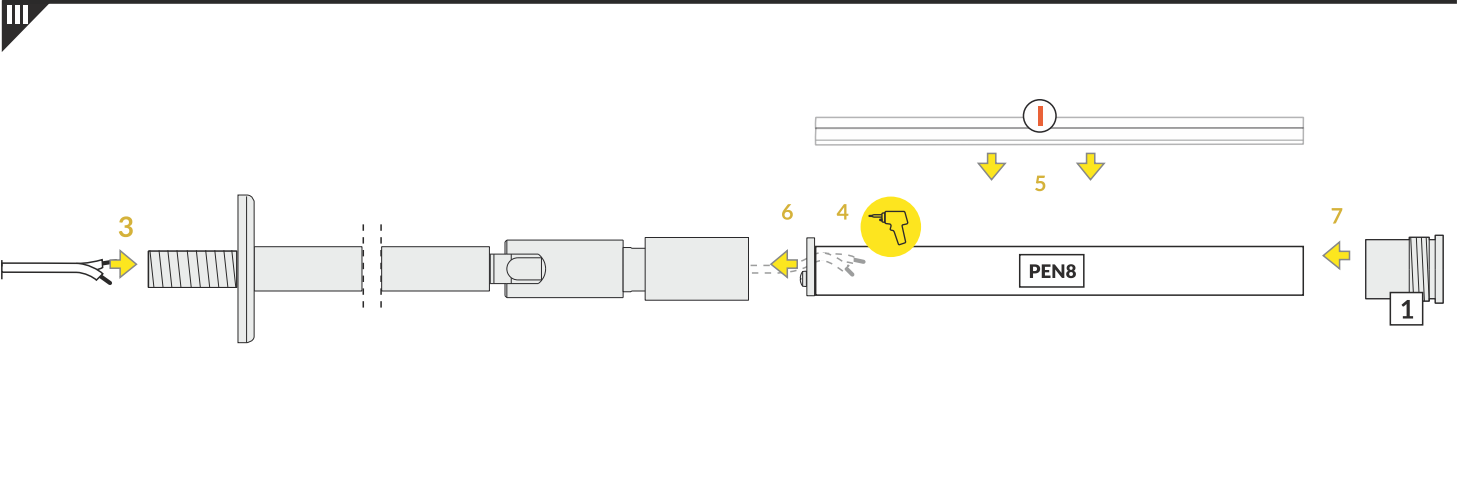
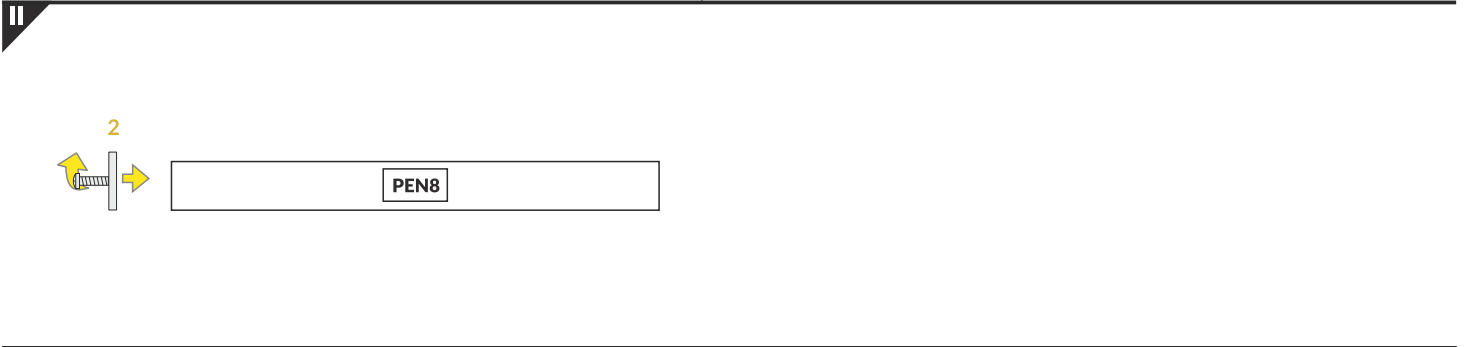
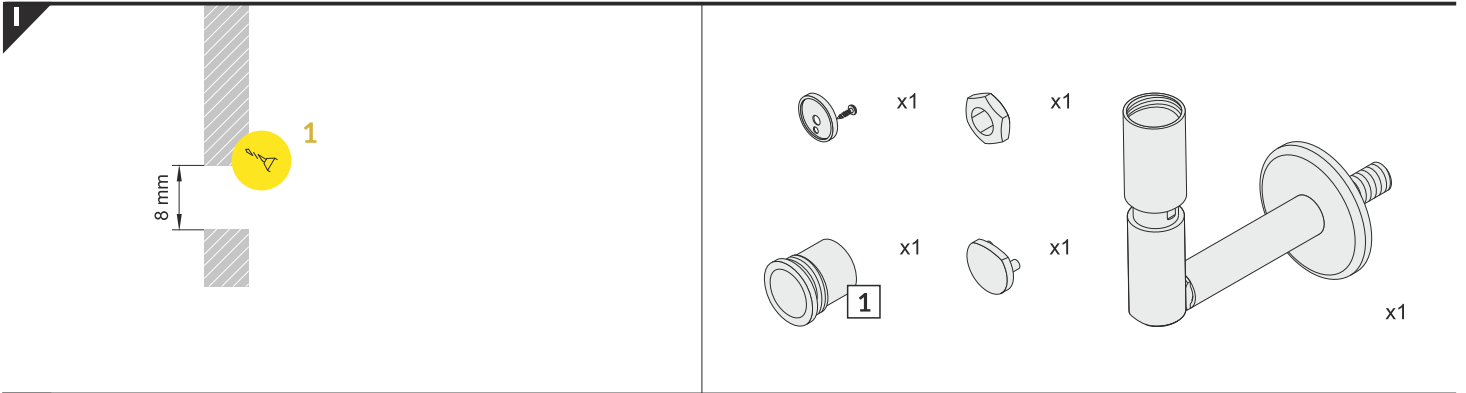
PEN8 holder flat



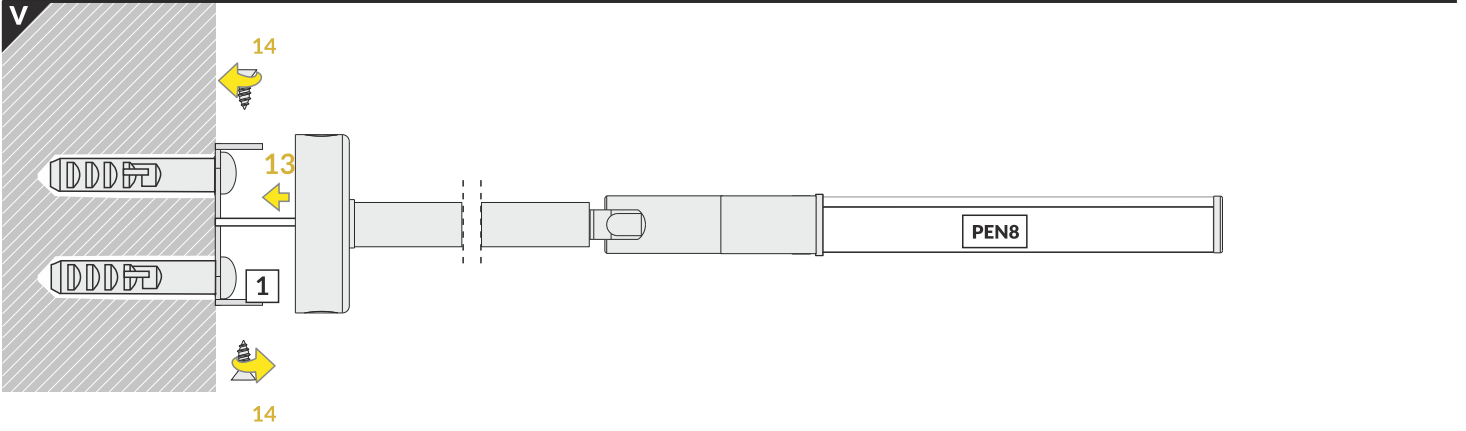
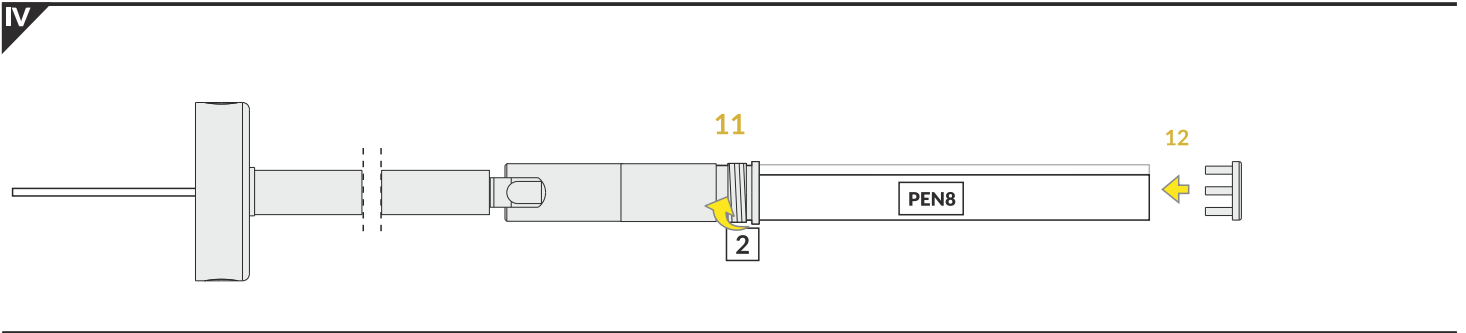
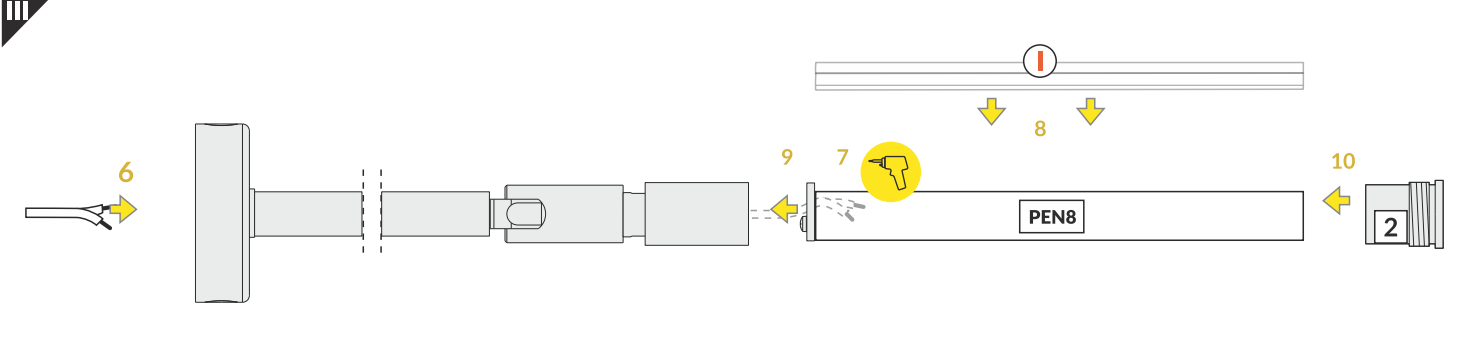
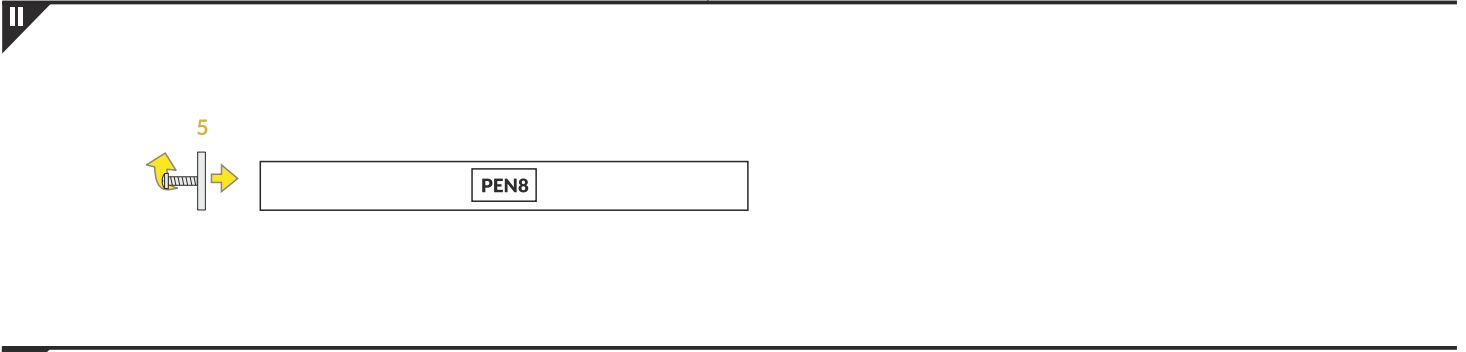
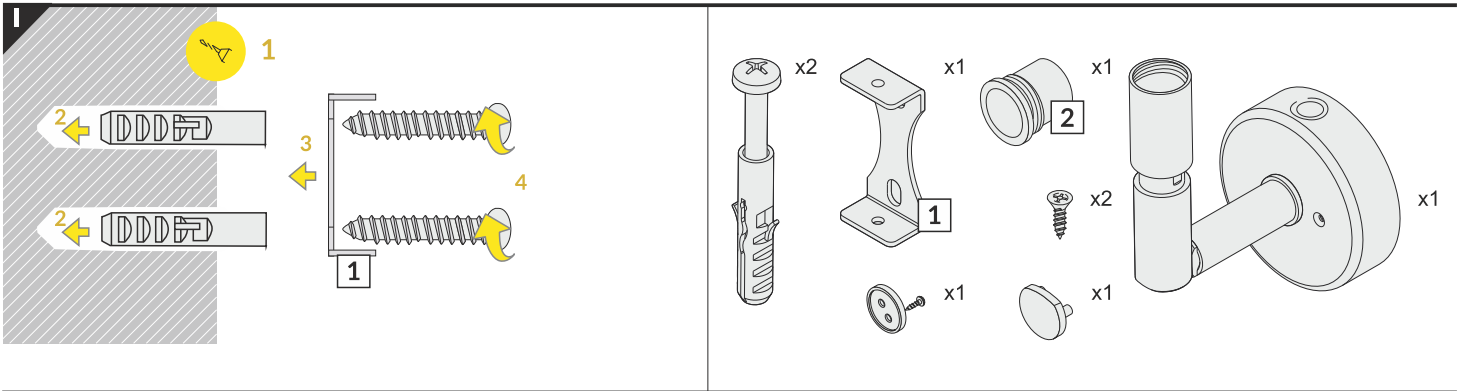
PEN8 stretcher holder



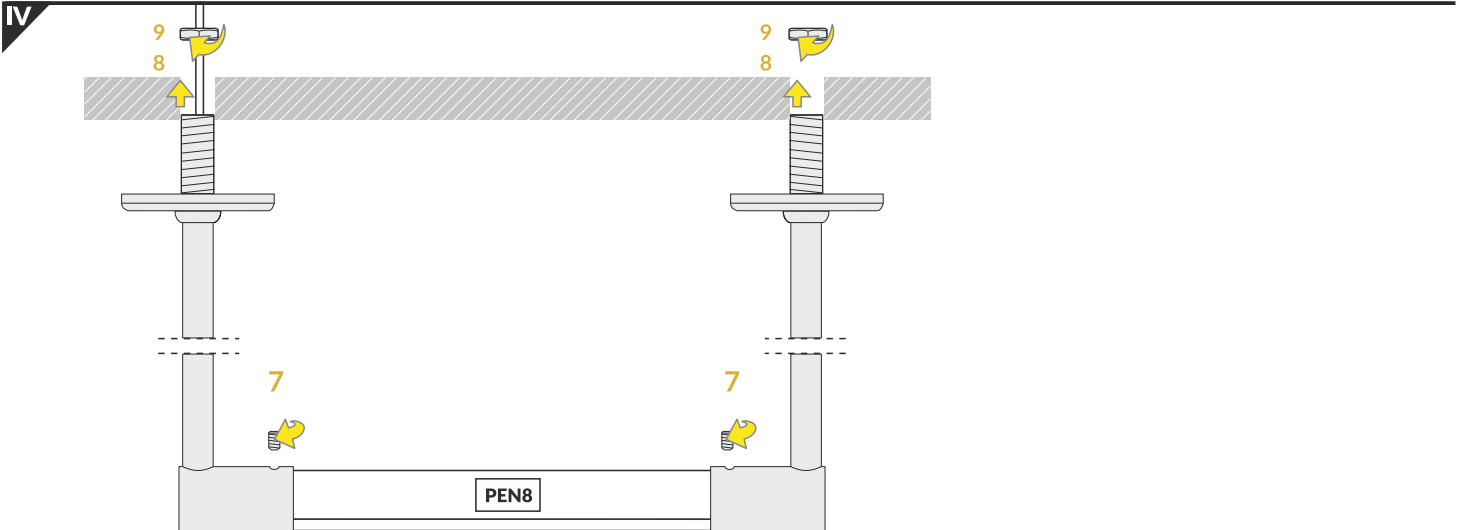
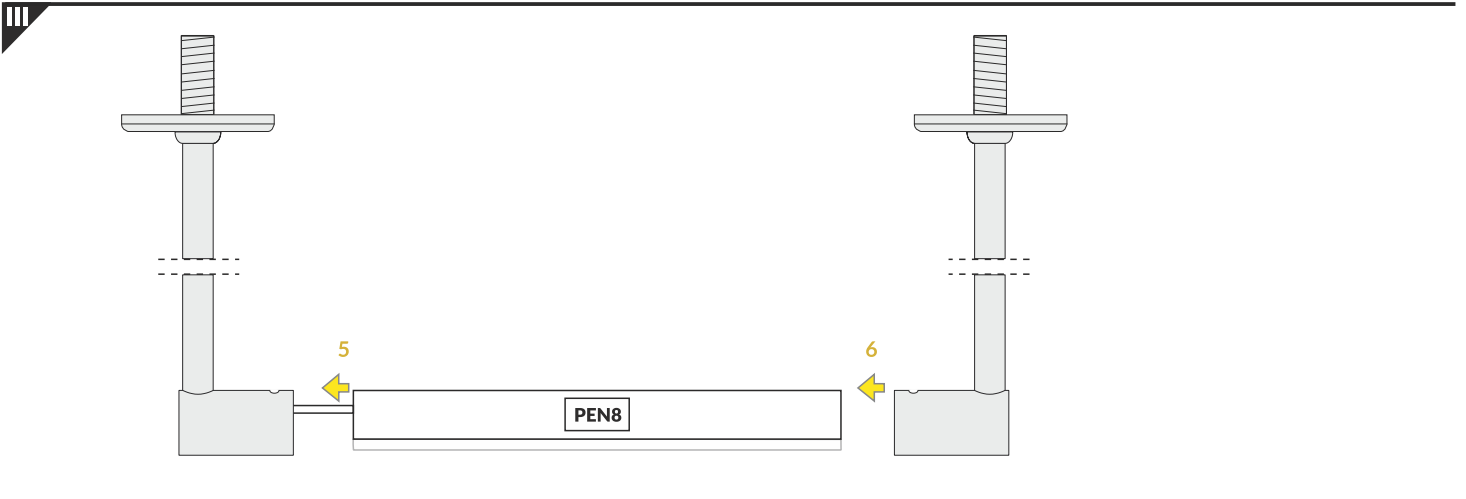
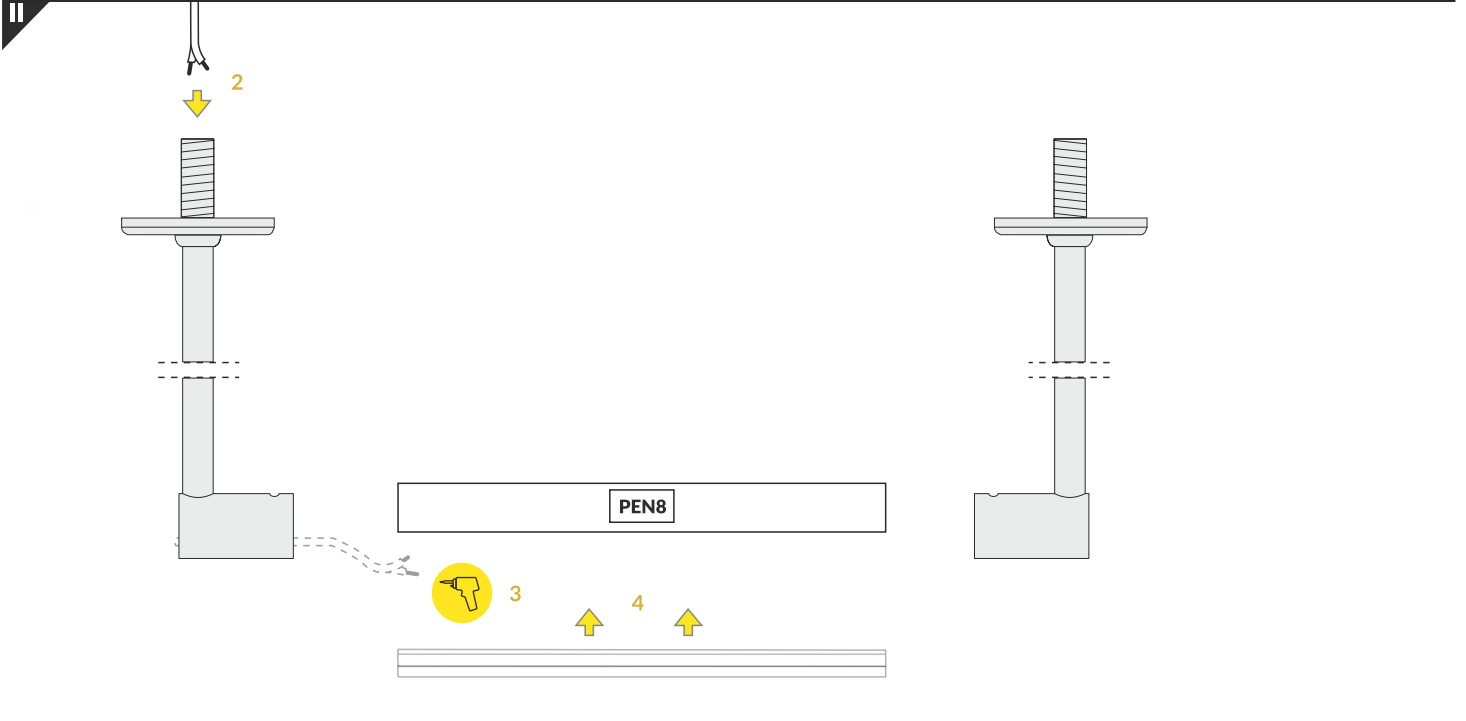
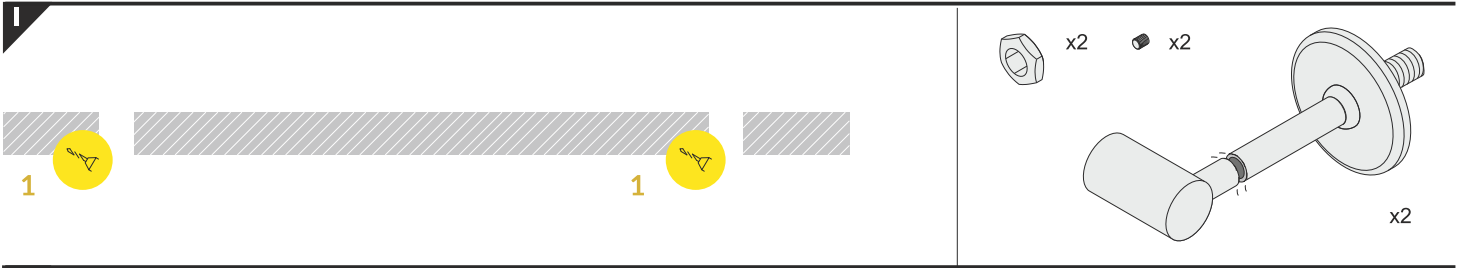
PEN8 jointed holder with thread



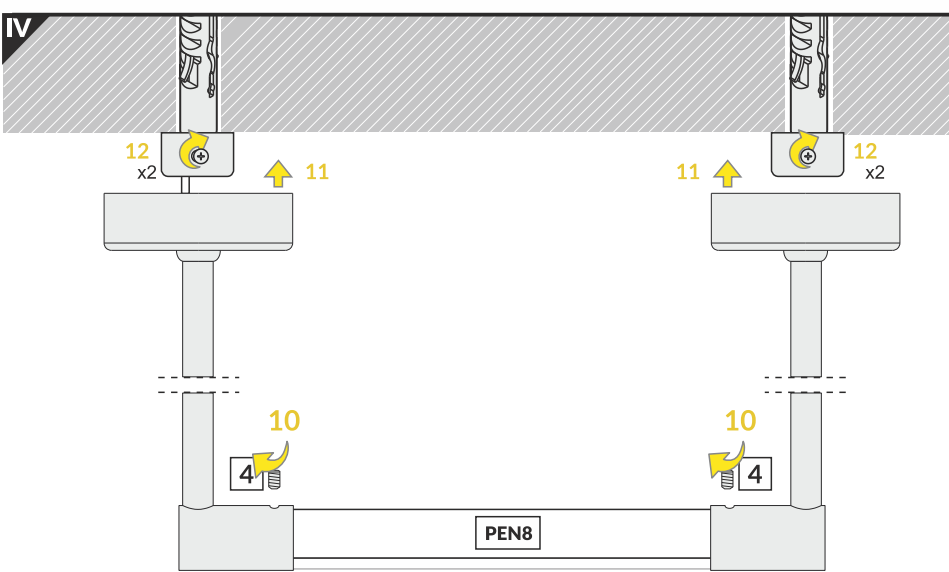
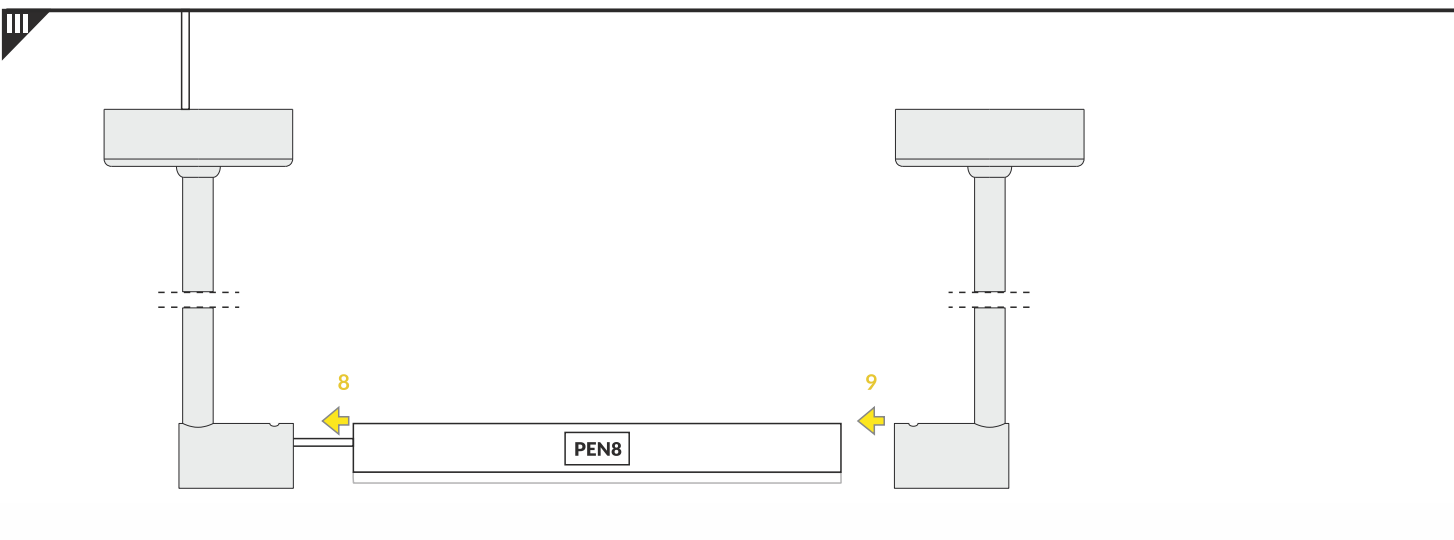
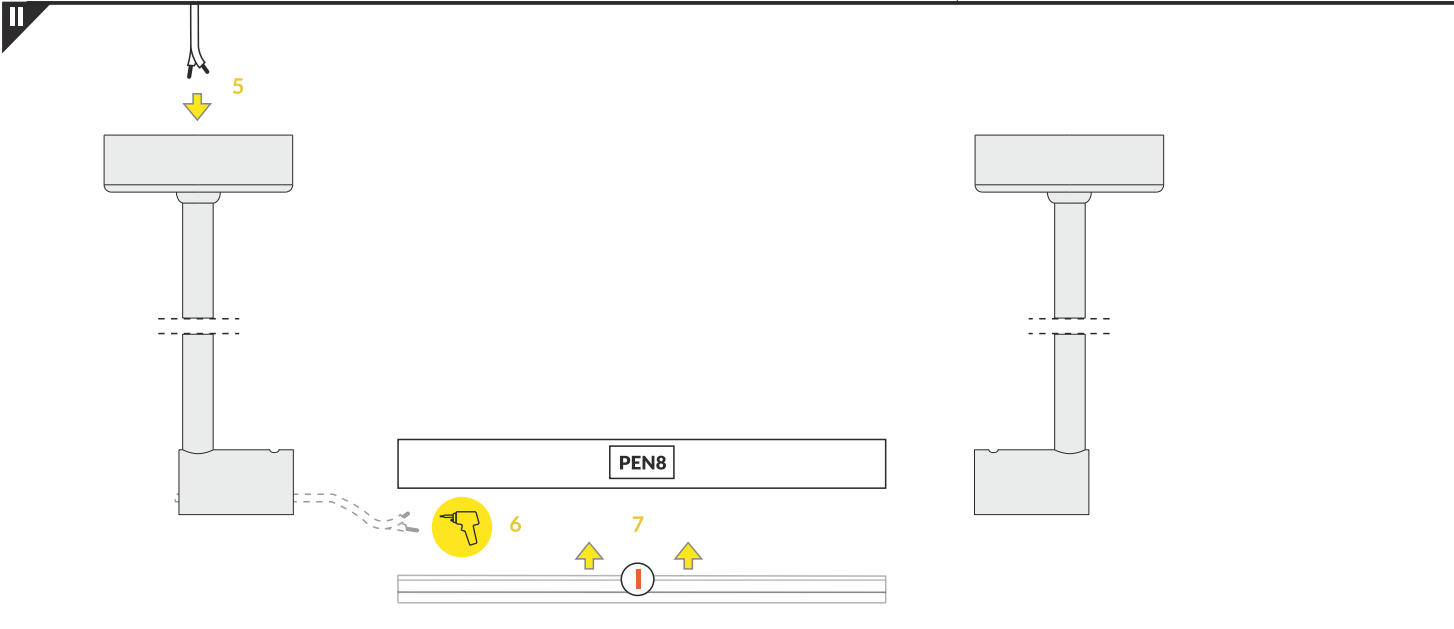
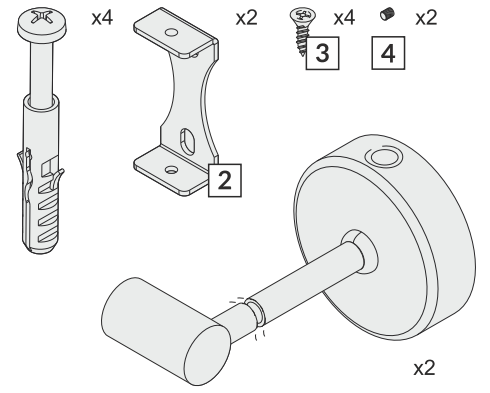
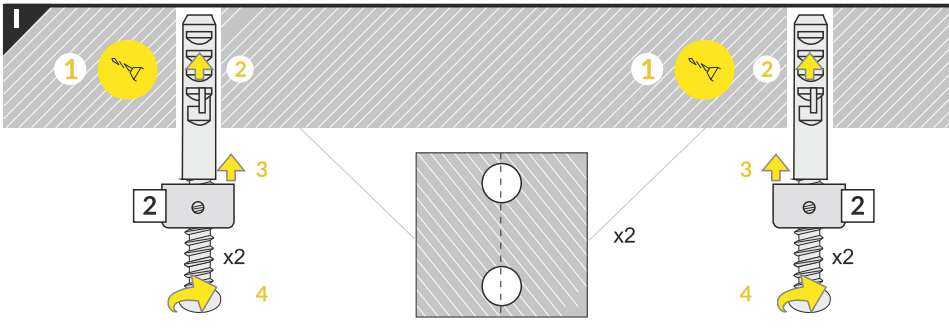
PEN8 jointed holder with ceiling



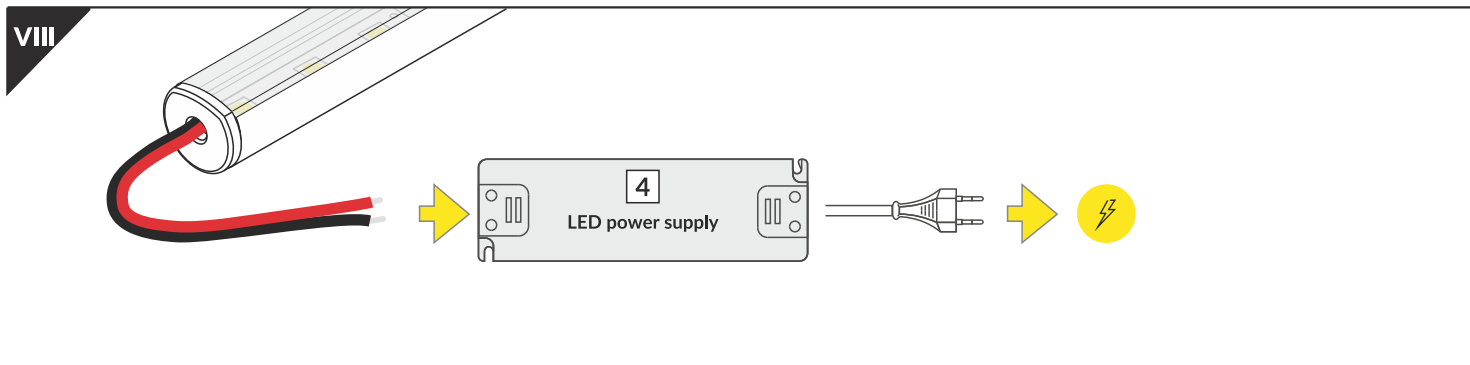
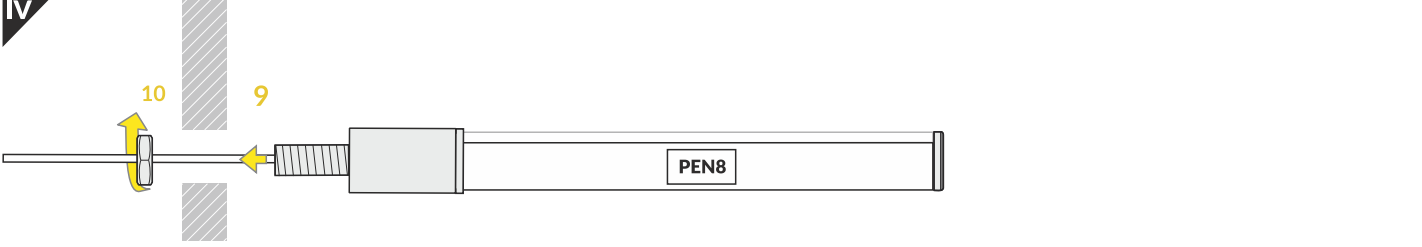
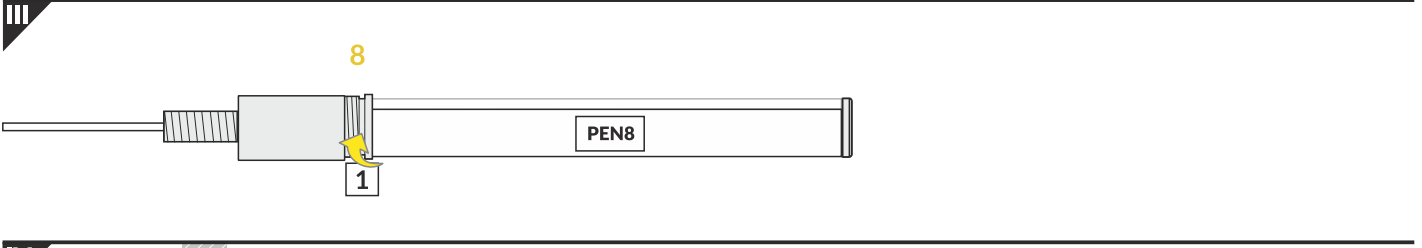
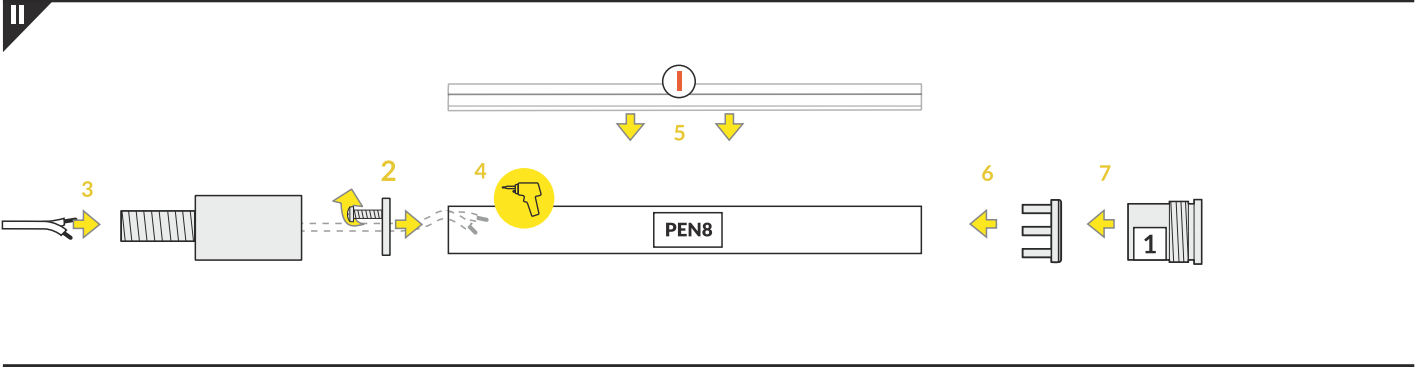
PEN8 double holder with threads



PEN8 double holder with threads /



PEN8 end holder



ACCESSORIES

- power switches
- controller + remote
- movement sensors
-

DISTRIBUTED BY



* Parameters tolerance +/- 7%