

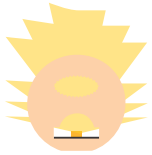
Model Redondo

LED Strip Flexible Di user

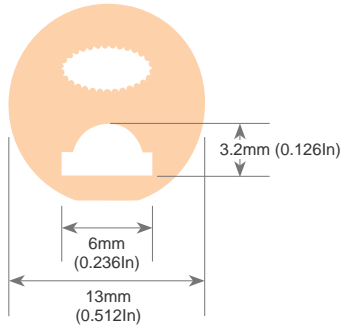
Redondo is a high quality opal silicone di user profile. It is suitable for perimeter decorative lighting, illuminating cavities, etc. It is ideal for Neon-like letter signs and corporate letters, similar to traditional neon. The internal cavity can house an IP20 LED strip, with a PCB of 4mm or 5mm and the recommended power not greater than 12W/m. We recommend using our Platinum Series LED strip. Thanks to Redondo's IP67 waterproofing and UV protection, this product is suitable for outdoor areas and damp zones (sealing the connector and the endcap with the recommended silicone is a must). Redondo di user profile is sold in lengths of 1000mm (3.28ft) and longer rolls as required.



Scale 1:1



Scale 1:2



Neón Redondo Led
 LED-10.004 1-100m
 (PCB max. 5mm)



Silicone endcaps
 LED-19.167 without hole
 LED-19.168 with hole



Clip
 LED-20.035 plastic



Silicone for waterproofing
 LED-22.033 100ml



How to bend

