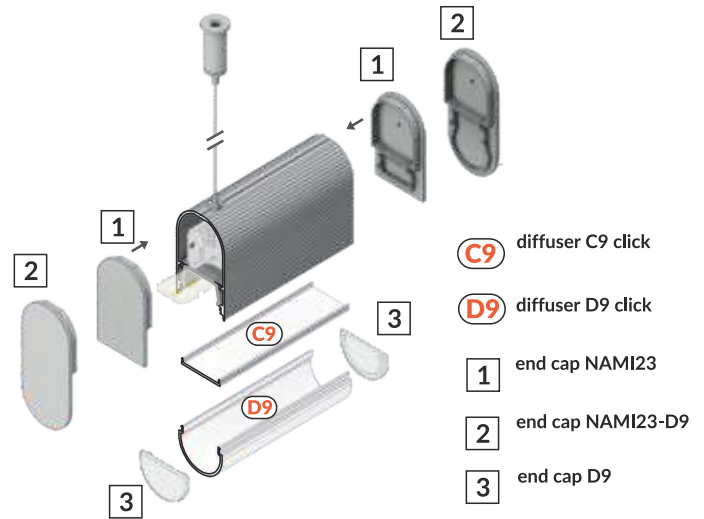
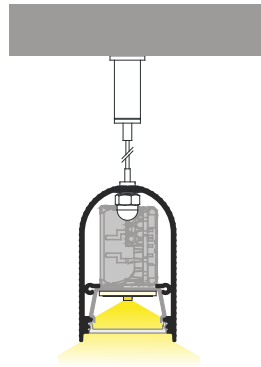
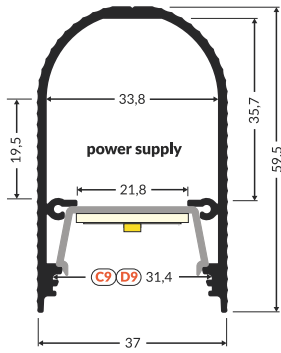
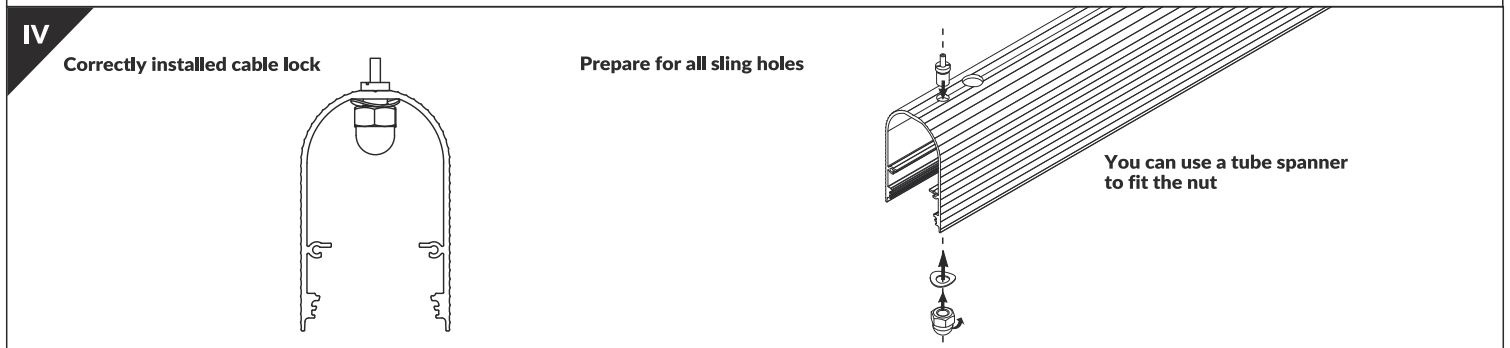
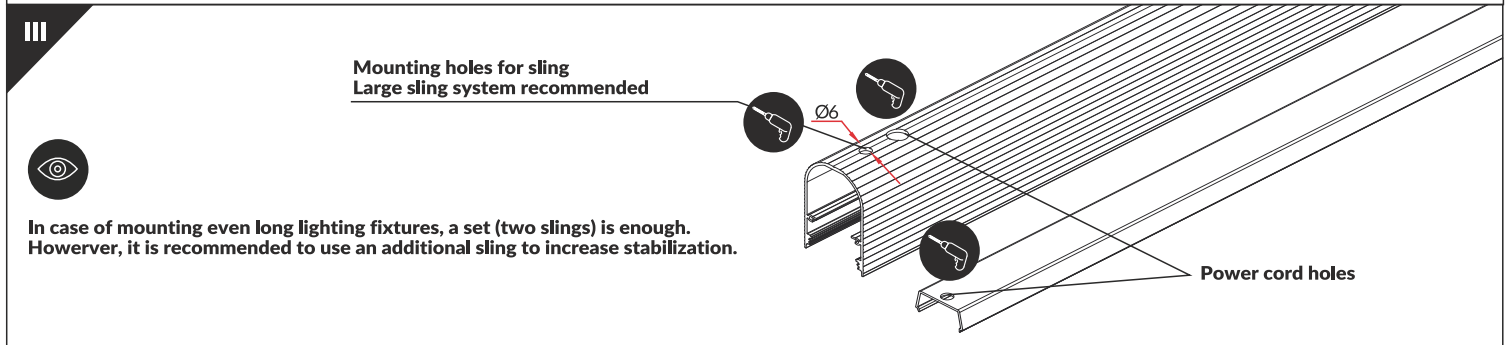
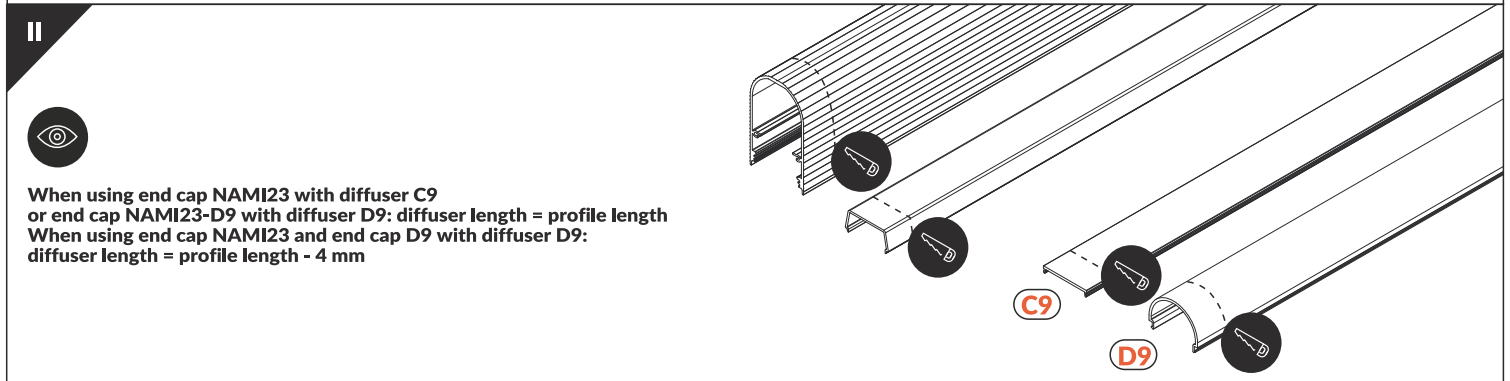
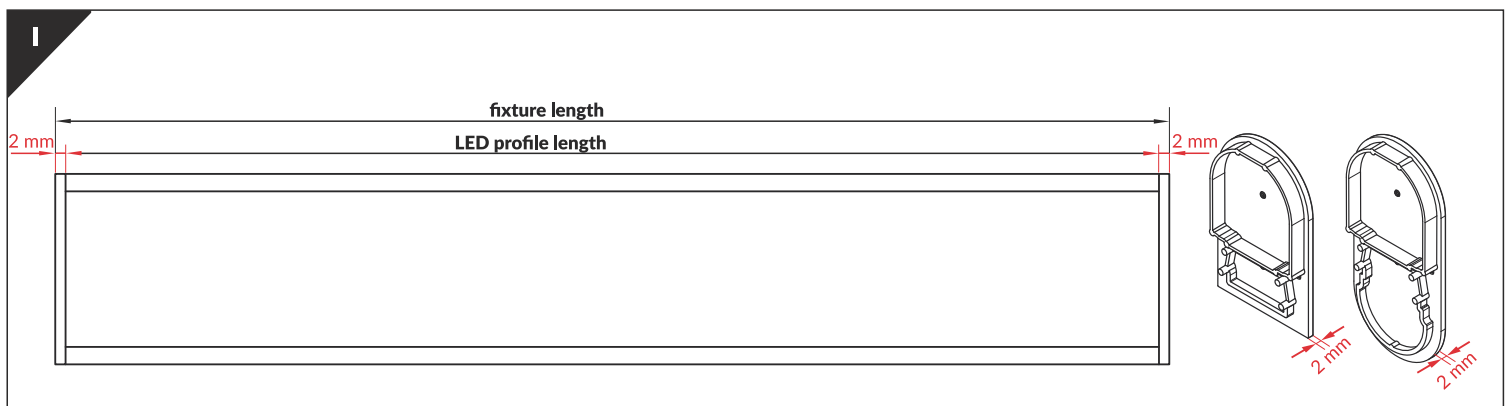


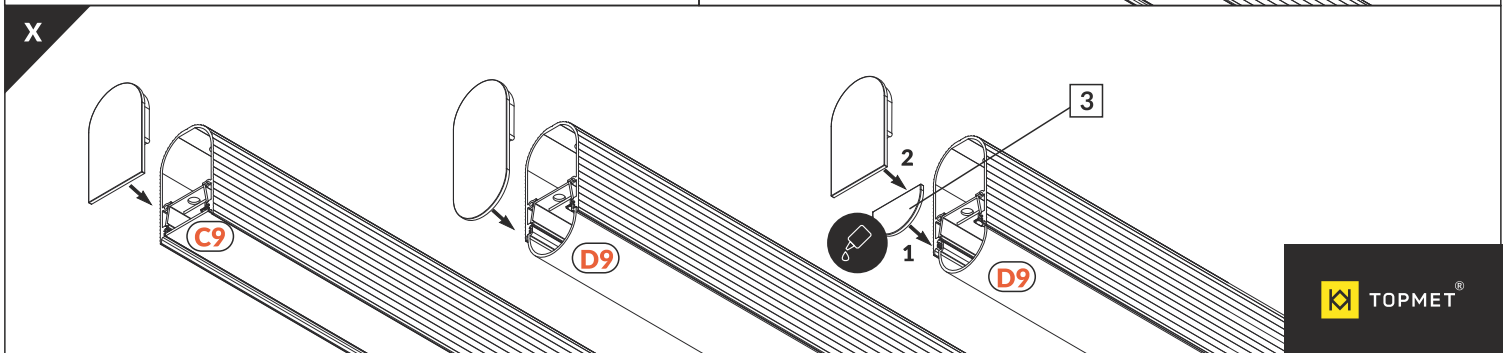
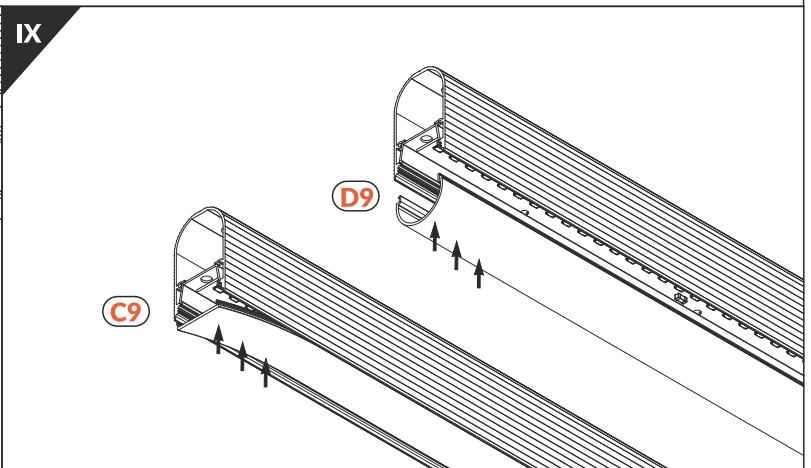
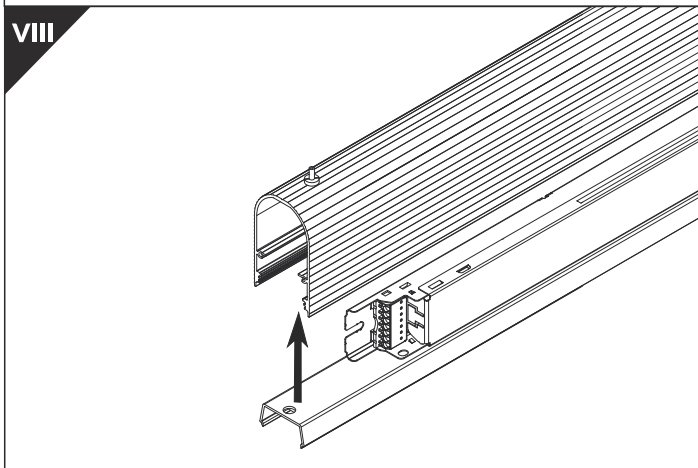
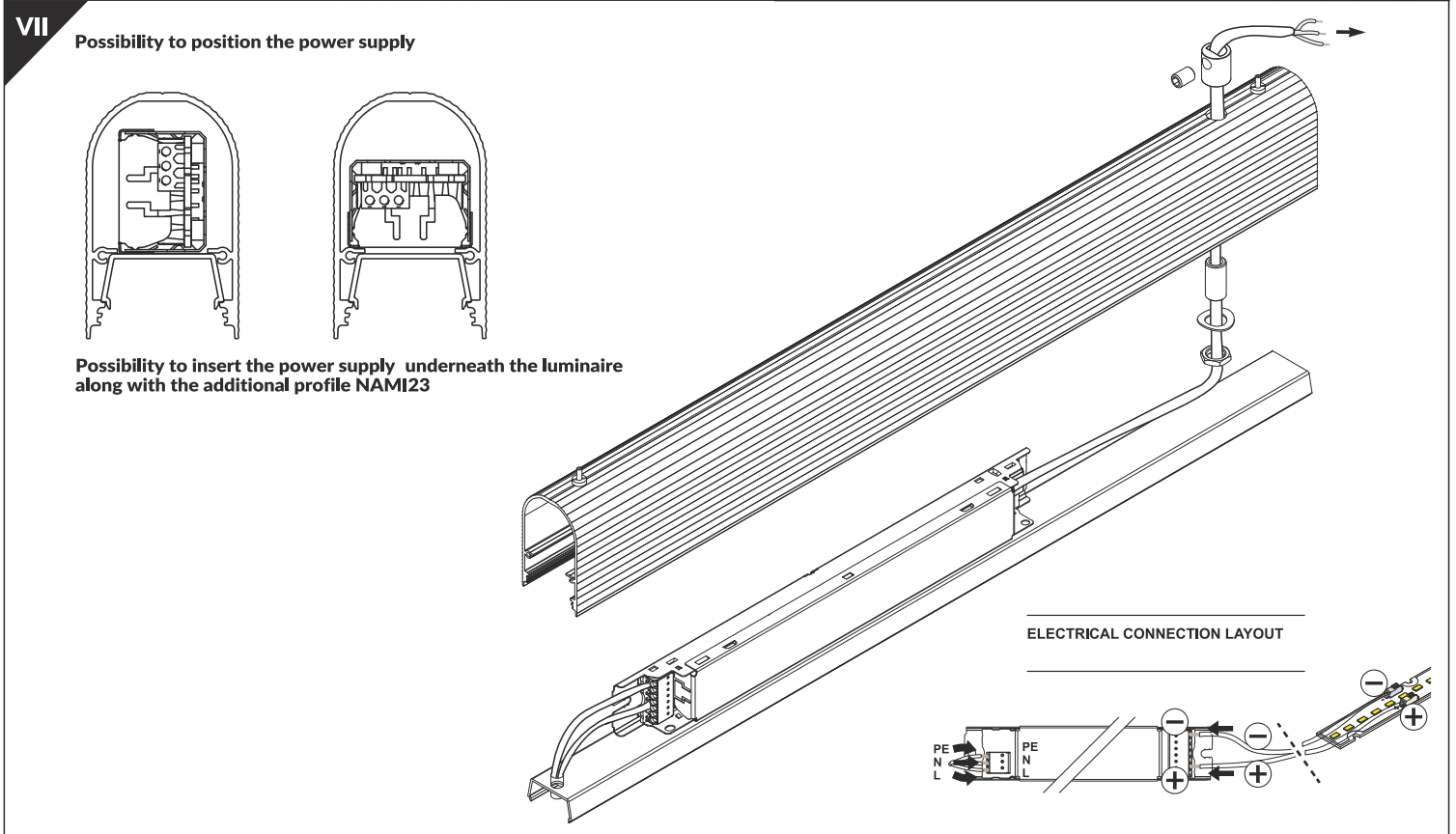
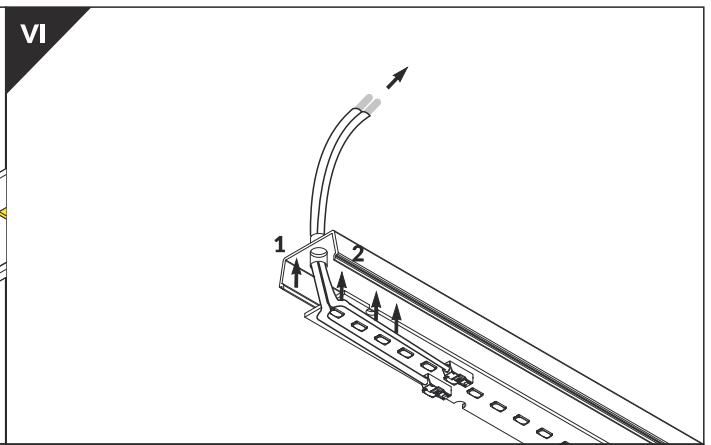
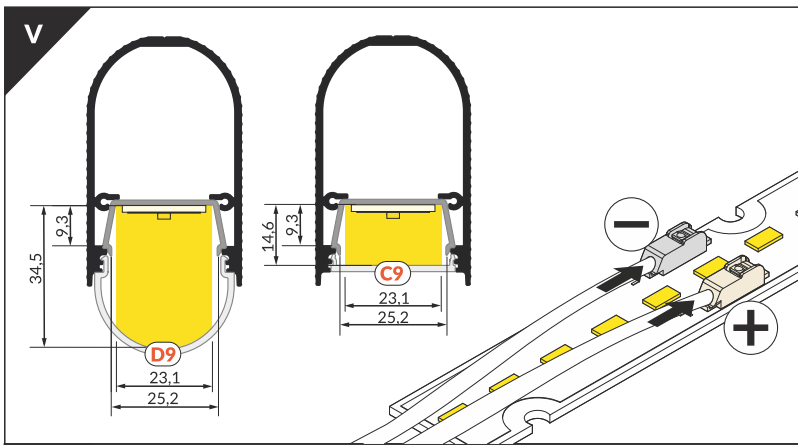
# NAMI23 CD-9

- max 23 mm
- suspended
- lighting

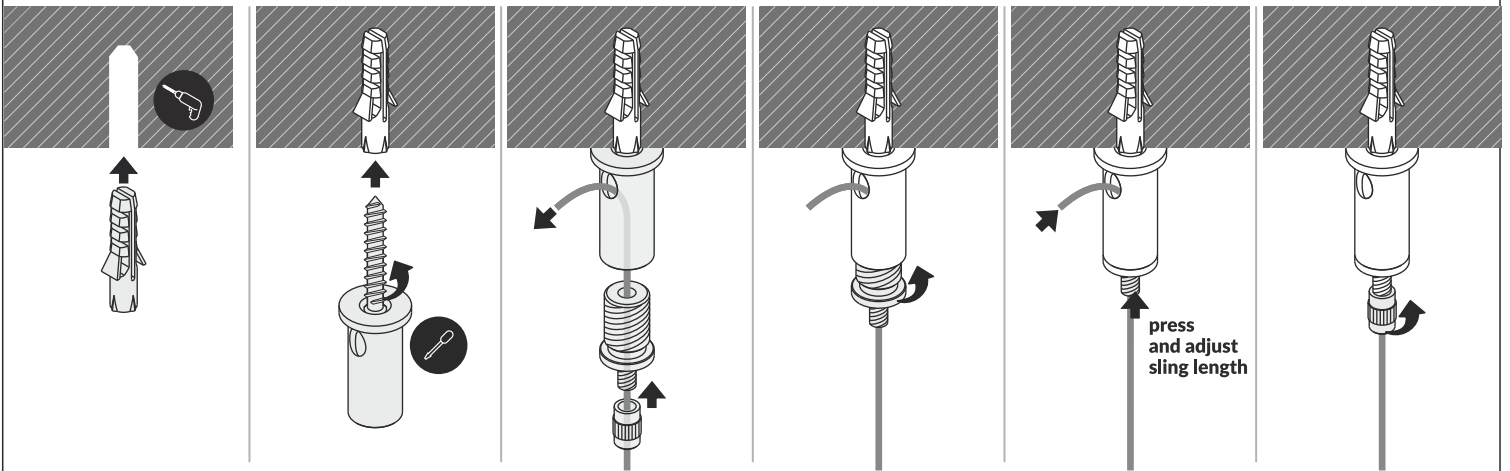


- drill
- hacksaw
- glue
- screwdriver





**XI** MOUNTING TO THE CEILING



**XII**  
Prepare for all cable locks

