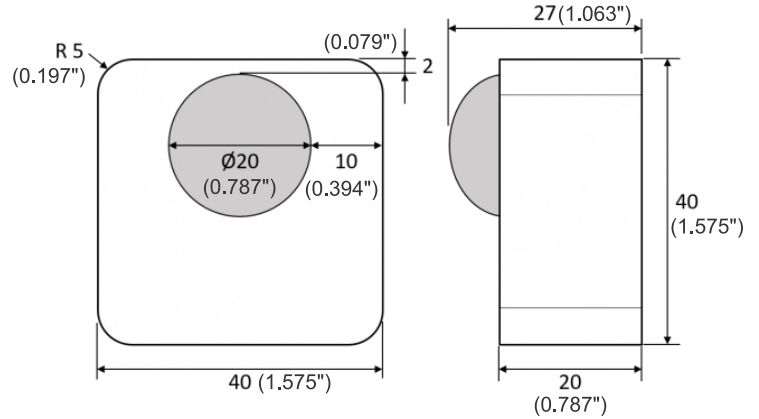
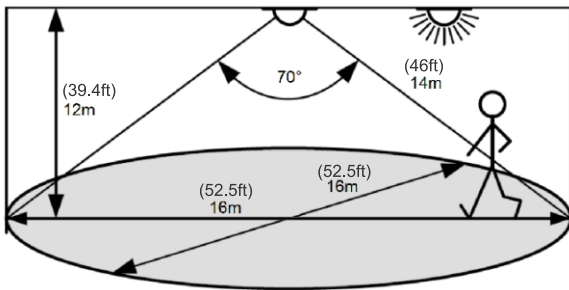


Motion and daylight sensor with CASAMBI lighting control



arditi



	White	Black	Transparent	Grey
Part no.	808881	808882	808883	808884
Type	SMP-MLBTW	SMP-MLBTB	SMP-MLBTT	SMP-MLBTGR
Power supply input	3,6 Vdc (1 x Lithium LS14250)			
Radio signal	2,4..2,483 GHz; 4 dBm			
Radio signal range	max. 40 m (131ft)			
Ambient temperature (ta)	-20..+40 °C (-4..+104 °F)			
Degree of protection	IP30			
Dimensions	40 x 40 x 27 mm (1.575" x 1.575" x 1.063")			

Battery-powered motion and daylight sensor (PIR) for convenient operation with smart devices and control of devices in CASAMBI networks

Configurable with the CASAMBI app and usable in many ways

Sensor max. 14 m, 70° horizontal, 128 zones

With adjustable threshold for the ambient brightness

Magnetic wall bracket with self-adhesive mounting plate for easy installation

The service life of the battery is approx. 5 years with typical use

Various colours on request possible



UNIFORM LINEAR

DISTRIBUTED BY
Wired 4 Signs USA
+1 (865) 339 4956
info@w4susa.com
7669 Clinton Highway,
Powell, Tennessee, 37849