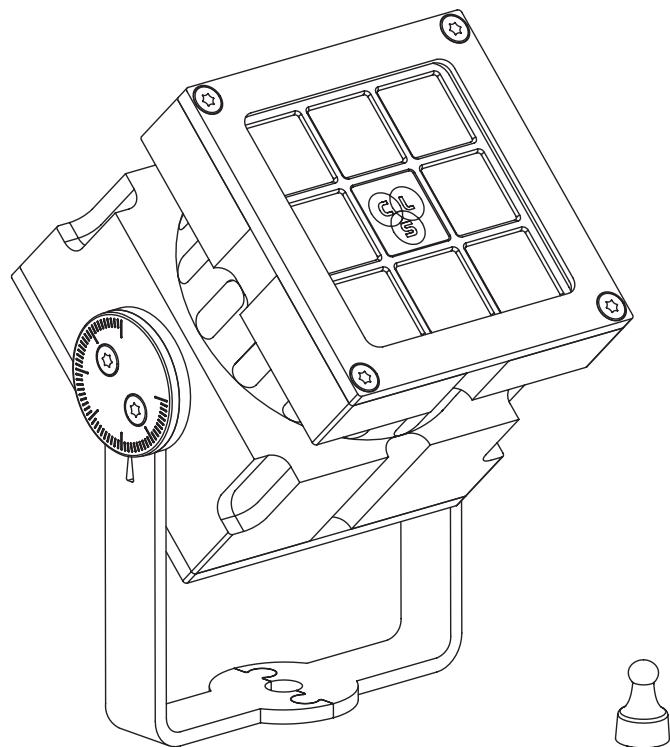


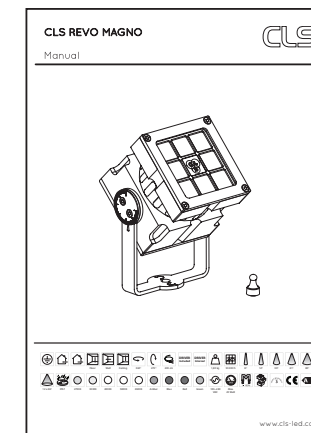
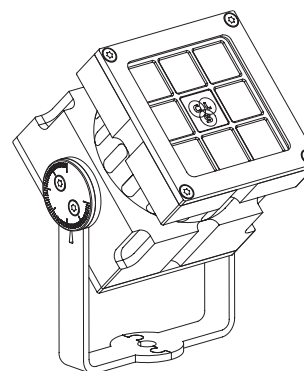
Index	2	Installation	4
Safety information	2	Magno dimming	5
Content	2	Lens replacement	6
Technical	3	Lens index	7
Specifications	3	List of symbols	8



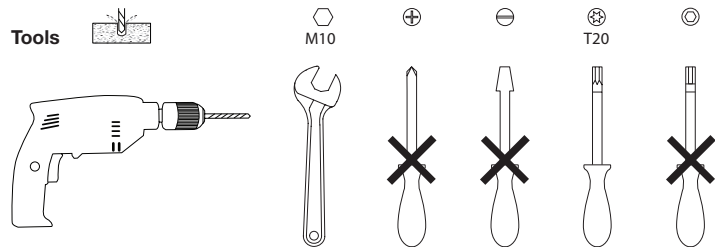
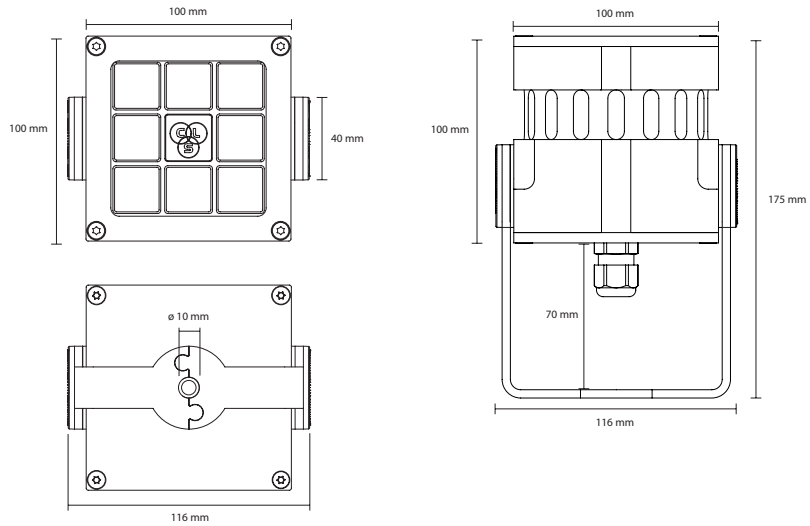
### SAFETY INFORMATION

Make sure all connectors are connected properly	Use a source of AC power that complies to local electrical codes	Block access below the work area when maintaining the unit	Don't modify or install genuine parts on this product	Don't install in a flammable or explosive area	Warning! Some surfaces can be hot

### CONTENT



12 x 46°	IP67	2700K	3000K	4000K	5000K	6500K	Amber	Blue	Red	Green	100-240 VAC	Max. 20 Watt	50,000 h	8°	12°	30°	61°	80°	DRIVER Included	DRIVER Internal	1,80 kg	200 cm	360°	270°	200 cm	Floor	Wall	Ceiling	3	CE	A

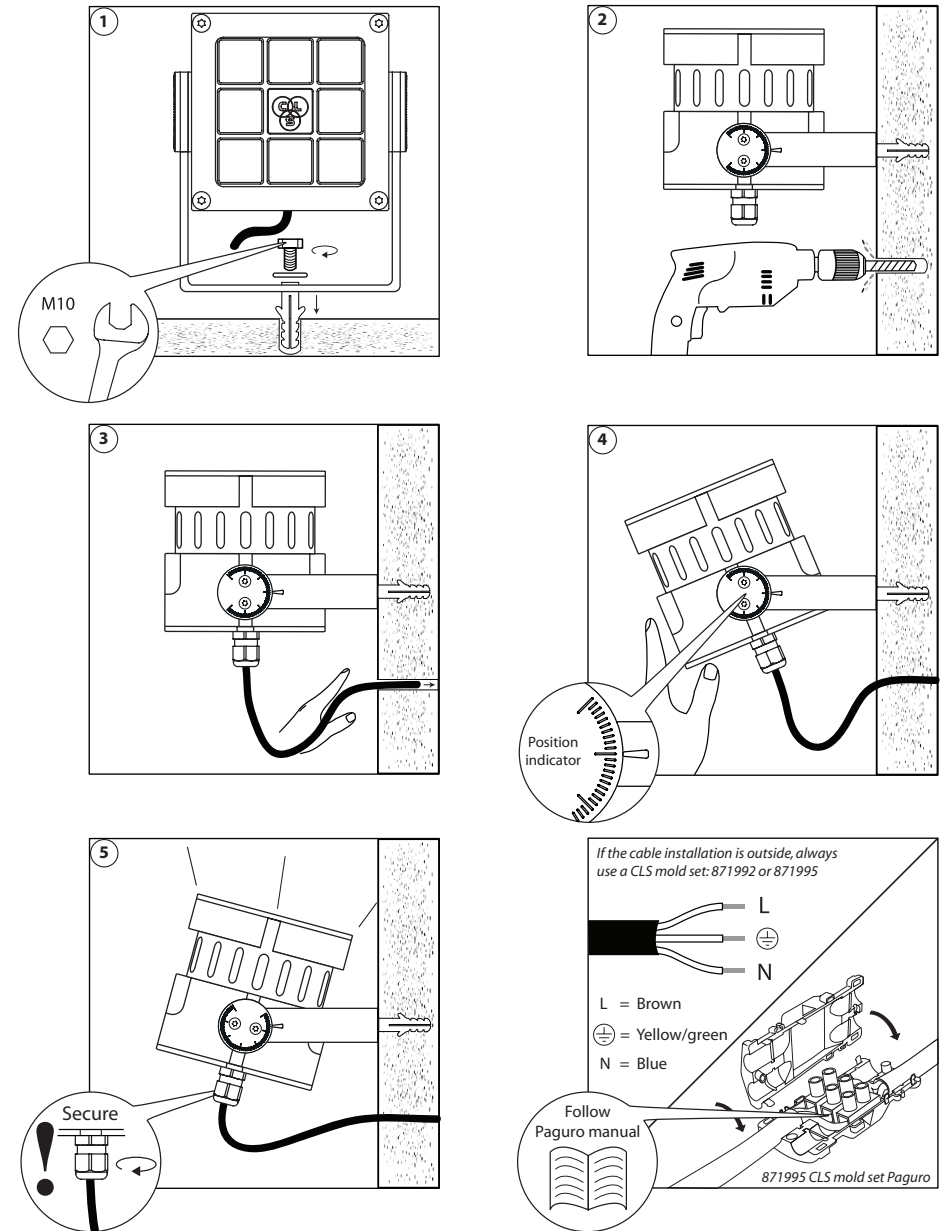


### SPECIFICATIONS

LED: 8 x High Power LED  
 Available colours: 2700K, 3000K, 4000K, 5000K, 6500K, amber, royal blue, green and red  
 Lenses: 8°, 12°, 30°, 61°, 80° and 12x46°  
 Power supply: 100 - 240 VAC  
 Power consumption: Max. 20 Watt  
 Housing: Anodised aluminum  
 Weight: 1,9 kg  
 IP value: IP67  
 Cable length: 2 meters  
 Measurements: 175 x 116 x 100 mm (h x w x d)  
 Ambient temperature: -30° C till +50° C

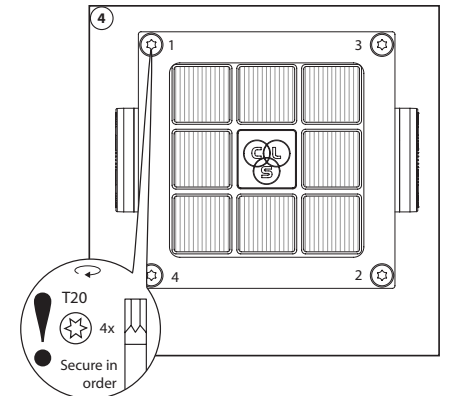
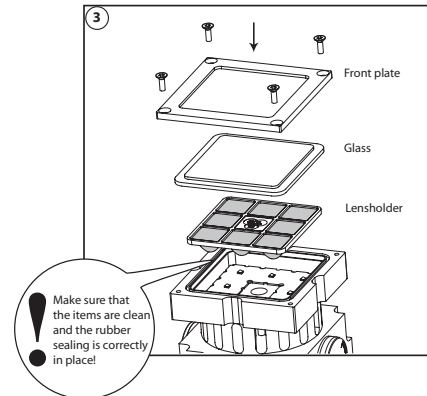
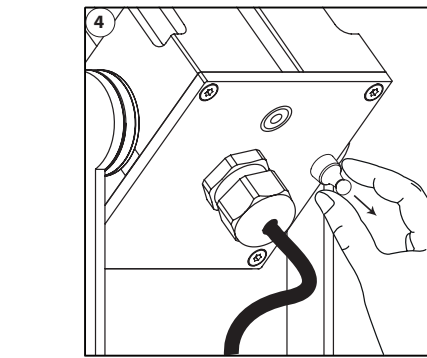
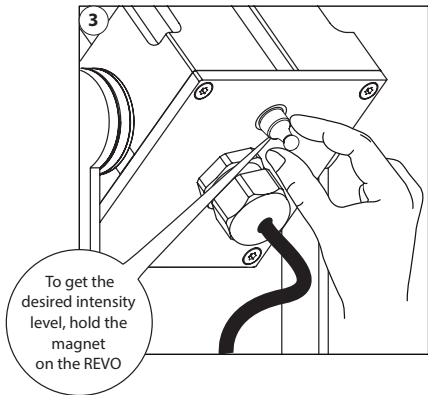
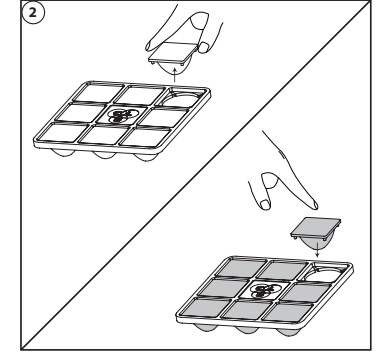
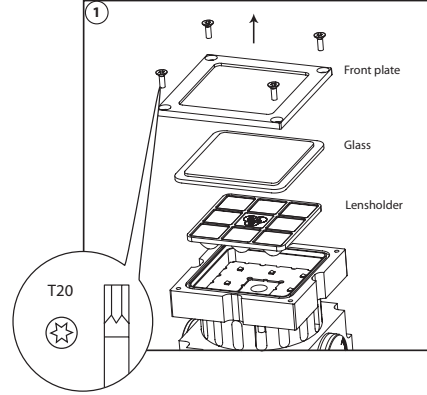
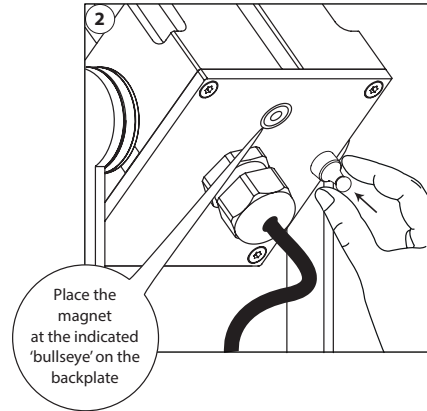
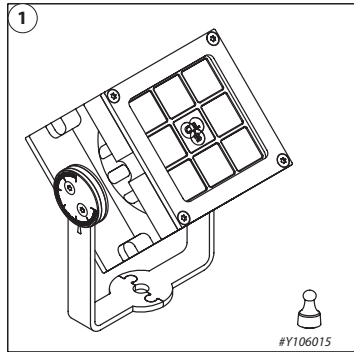
### ACCESSORIES

110415 CLS REVO lens kit superspot 8° 8 pcs of lenses  
 110425 CLS REVO lens kit spot 12° 8 pcs of lenses  
 110435 CLS REVO lens kit medium flood 30° 8 pcs of lenses  
 110445 CLS REVO lens kit wide flood 61° 8 pcs of lenses  
 110455 CLS REVO lens kit elliptical 12x46° 8 pcs of lenses  
 871995 CLS mold set Paguro grey  
 Y106016 CLS Magenet pin (4 pcs)



# MAGNO DIMMING

# LENS REPLACEMENT

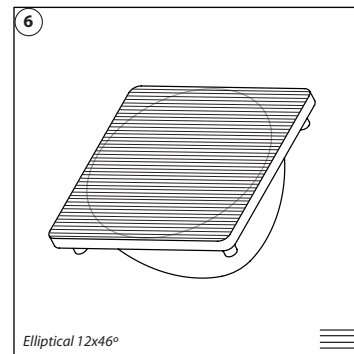
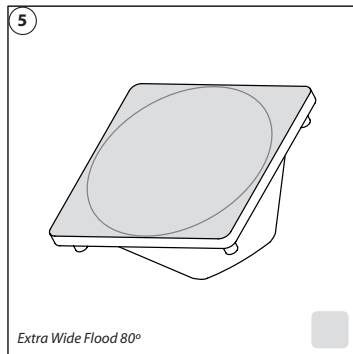
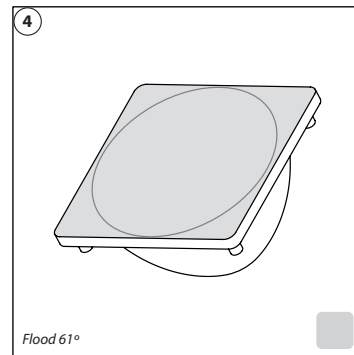
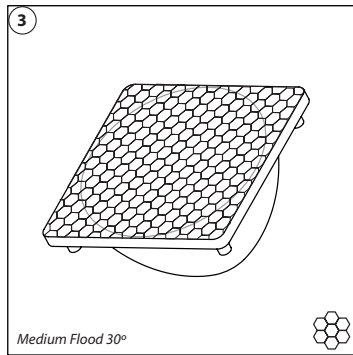
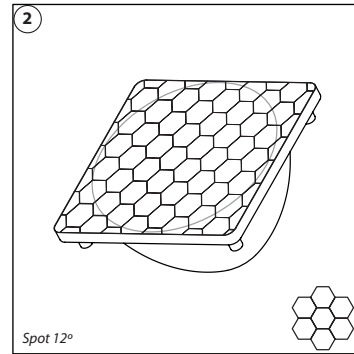
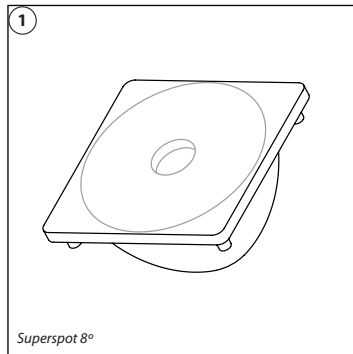


1. Place the magnet on the backplate, at the indicated spot.
2. The REVO starts slowly dimming from 100 - 1% in approx. 30 seconds. The dimming is very accurate and precise, so steps are very small.
3. At the desired intensity level, take away the magnet.
4. After 10 seconds the REVO flashes one time, the value has been stored on the internal memory.
5. When powering up the REVO, the stored value will be recalled from the internal memory.
6. If you want to have a lower value, replace the magnet and the REVO dims further to lower levels. To store the new setting repeat step 3 - 5.
7. If the REVO is being dimmed to Level 0 and you have not programmed a value, it will automatically start at Level 100 and dim back from 100 - 1%.

2018 CLS-LED BV. All rights reserved. Information subject to change without notice. CLS-LED BV and all affiliated companies disclaim liability for injury, damage direct or indirect loss, consequential or economic loss or any other loss occasioned by the use of, inability to use or reliance on the information contained in this manual. No part of this manual may be reproduced, in any form or by any means, without permission in writing from CLS-LED BV. Other legal information can be found in our General conditions, found on the back of your CLS-LED BV invoice, inside the CLS catalogue or on our website [www.cls-led.com/General-Terms.pdf](http://www.cls-led.com/General-Terms.pdf)

# LENS INDEX

# LIST OF SYMBOLS



	<b>Protection class</b> One, two or three		<b>Retail &amp; Food LED modules</b> Clothing, furniture, kitchens, jewellery, shoes, bread, meat, fish and vegetables & fruit.
	<b>Application area</b> Indoor or outdoor		<b>Colour</b> Available colours: Amber, blue, red or green
	<b>Application area</b> Floor, wall or ceiling		<b>White colour temperature</b> In different Kelvin values: Cold white, neutral white, warm white or extra warm white
	<b>Swivel</b> Fixture is horizontally rotatable, indicated in degrees		<b>Curve</b> Minimal bending curve in centimeters
	<b>Swivel</b> Fixture is vertically rotatable, indicated in degrees		<b>Cutting length</b> Indicated by the cutting marks
	<b>Multiple connection</b> Daisychain connectivity		<b>LED pitch</b> Pitch between the LEDs in millimeters
	<b>Installation depth</b> In centimeters		<b>Power supply</b> In VDC, VAC or milliAmpere
	<b>Installation size</b> In centimeters		<b>Power consumption</b> In VA or Watt
	<b>Cable length</b> Maximum cable attached to the fixture in centimeters		<b>Dimmable</b> 1-10 Volt, Phase, individual, DMX dimmable or DALI
	<b>Driver</b> Inclusive or exclusive Internal or external		<b>PWM dimming</b> Traditional PWM dimming, DMX analog or DMX Hybrid dim
	<b>Weight</b> In grams/kilograms		<b>Bluetooth controlled</b> By Casambi
	<b>Pressure</b> Maximum pressure on the fixture in kg/cm <sup>2</sup>		<b>Magne dimming</b> Accurate dimming from 100 - 1% by using a magnet
	<b>Lifespan</b> Of the light source in hours		<b>Dynamic Control</b> Dynamic Power Control or Dynamic Temperature Control
	<b>Lenses</b> Available lenses, indicated in degrees		<b>DMX input</b> Fixture works on DMX512 protocol or Wireless DMX
	<b>Performance Zoom</b> Adjustable beam angle		<b>Combined product</b> Compose your own fixture
	<b>LEDs</b> Kind of LED used in the fixture		<b>Warranty</b> 3 or 5 years warranty on the product
	<b>Plug &amp; play</b> Easy connection using the SmartConnect system		<b>Conformité Européenne</b> CE marking for free marketability of industrial goods within the EU
	<b>IP value</b> Ingress Protection classifies the degrees of protection provided against the intrusion of the product		<b>Energy label</b>
	<b>Colour changing</b> RGB, RGB-w, RGB-A, AWB or Tunable White		<b>Lightsource</b> Equipped with a CLS, Citizen or a Xicato LED module