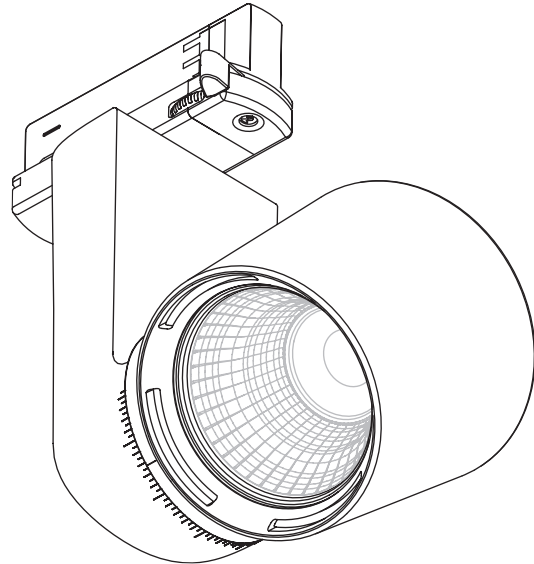


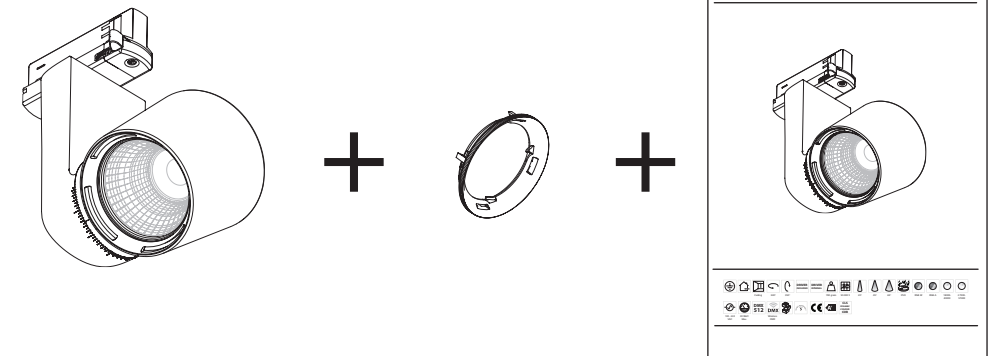
| | | | | | |
|---------------------|---|----------------------|---|-----------------------------|----|
| Index | 2 | Installation Eutrac | 5 | Barndoor assembly | 8 |
| Safety information | 2 | Programming | 6 | Snoot / half snoot assembly | 9 |
| Content | 2 | Wireless DMX | 6 | Honey comb assembly | 10 |
| Technical | 3 | Bluetooth by Casambi | 6 | Accessories | 11 |
| Specifications | 3 | Programming table | 7 | Accessory combinations | 11 |
| Installation Global | 4 | Factory settings | 7 | List of symbols | 12 |



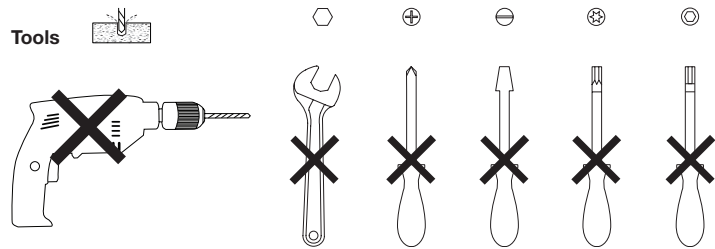
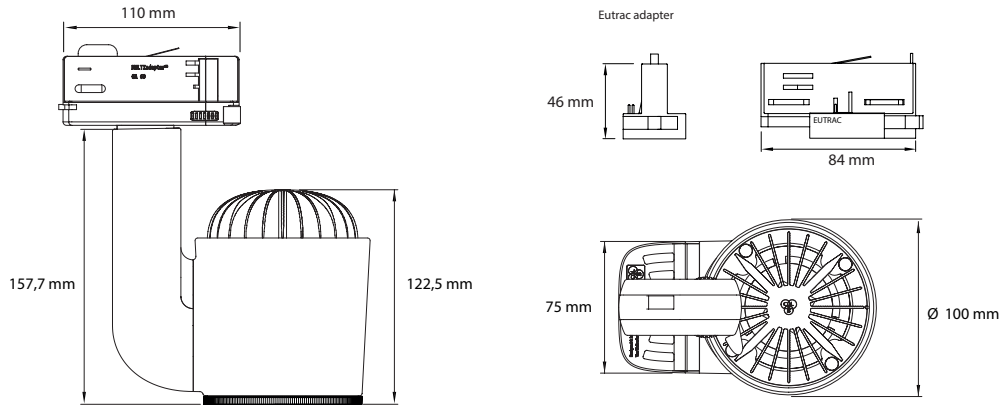
SAFETY INFORMATION

| | | | | | |
|---|--|--|---|--|-----------------------------------|
| | | | | | |
| Make sure all connectors are connected properly | Use a source of AC power that complies to local electrical codes | Block access below the work area when maintaining the unit | Don't modify or install genuine parts on this product | Don't install in a flammable or explosive area | Warning! Some surfaces can be hot |

CONTENT



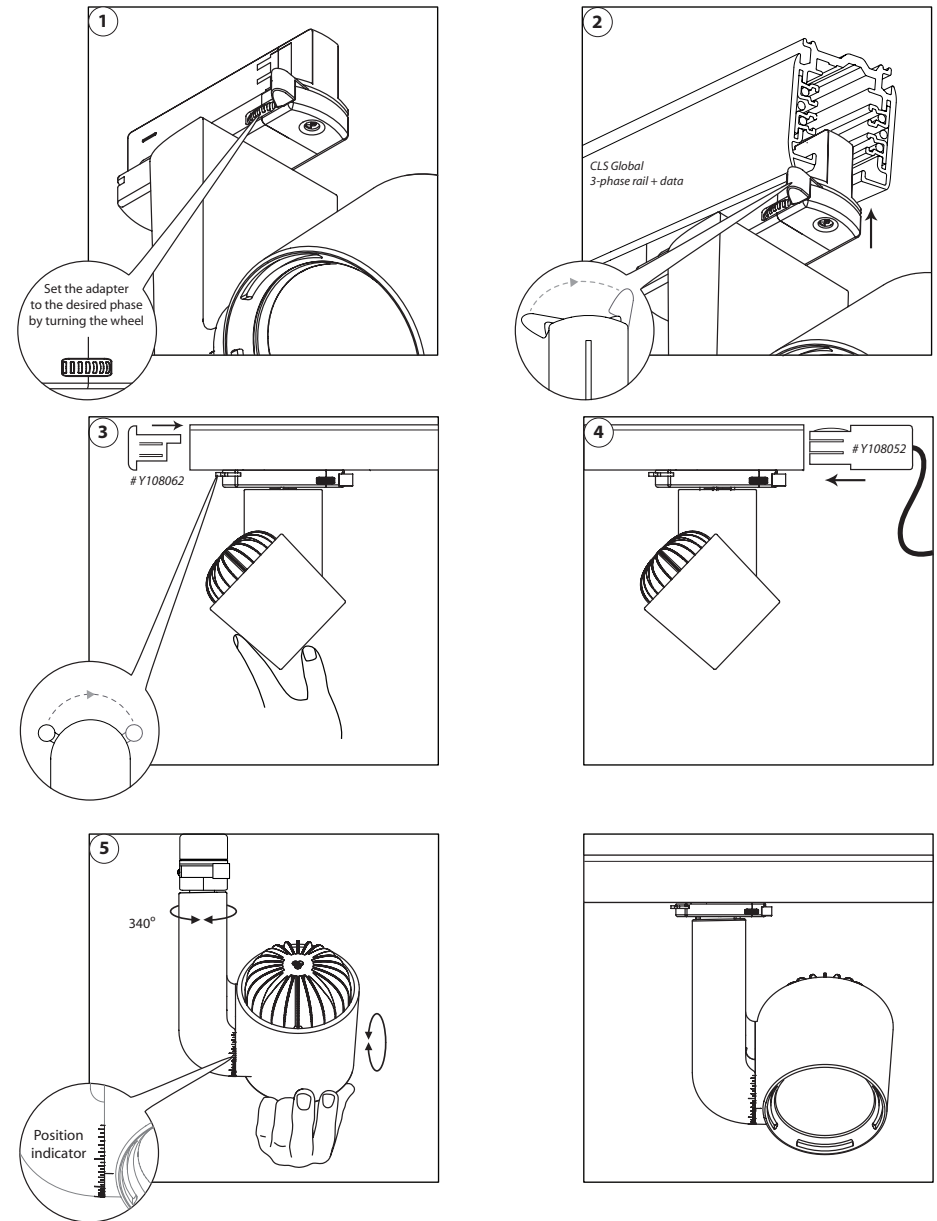
| | | | | | | | | | | | | | | | |
|---------------|--------------|---------|------------------|------------------|----|----|------------------------|--|--|--|--|--|--|--|--|
| | | | | | | | | | | | | | | | |
| 100 - 240 VAC | 30 Watt Max. | DMX 512 | DMX Wireless DMX | 5 YEARS WARRANTY | CE | A+ | CLS DYNAMIC COLOUR COB | | | | | | | | |



SPECIFICATIONS

| | |
|----------------------|---|
| LED: | CLS Dynamic Colour CoB |
| Colour changing: | RGB-W & RGB-A |
| Tunable White: | 1800-4000K & 2700K-5700K |
| Beam angle: | 23°, 45° or 69° |
| Power supply: | 100 - 240 VAC |
| Power consumption: | Max. 30 Watt (1450 lumen) |
| Housing: | Black, grey or white PC (PC-ABS V0) Heatsink black, grey or white coated aluminium |
| Weight: | 780 gram |
| IP value: | IP20 |
| Measurements: | 157.7 x 100 x 100 mm (h x w x d) |
| Ambient temperature: | -10° C till +40° C |

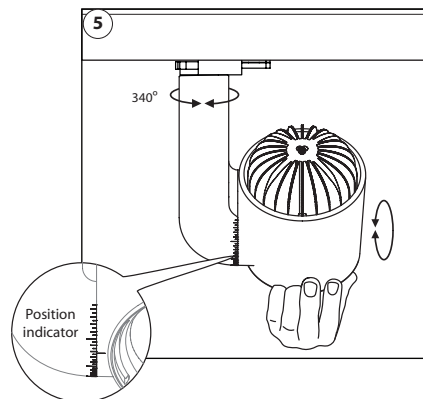
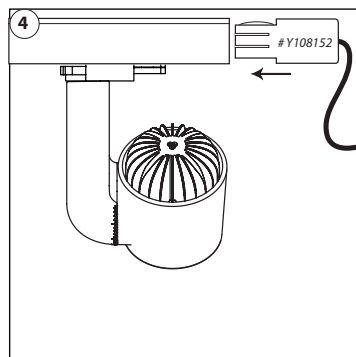
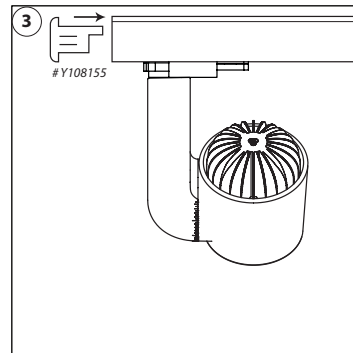
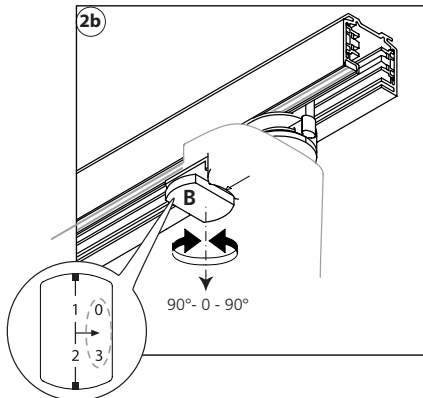
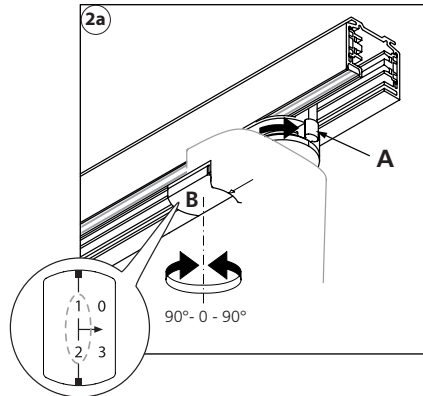
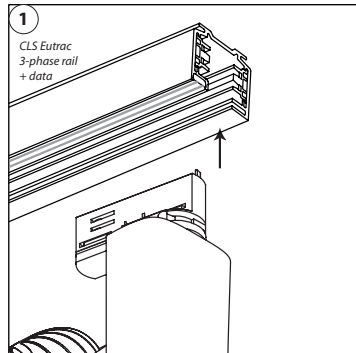
2022 CLS-LED BV. All rights reserved. Information subject to change without notice. CLS-LED BV and all affiliated companies disclaim liability for injury, damage direct or indirect loss, consequential or economic loss or any other loss occasioned by the use of, inability to use or reliance on the information contained in this manual. No part of this manual may be reproduced, in any form or by any means, without permission in writing from CLS-LED BV. Other legal information can be found in our General conditions, found on the back of your CLS-LED BV invoice, inside the CLS catalogue or on our website www.cls-led.com/General-Terms.pdf



INSTALLATION

WITH EUTRAC ADAPTER

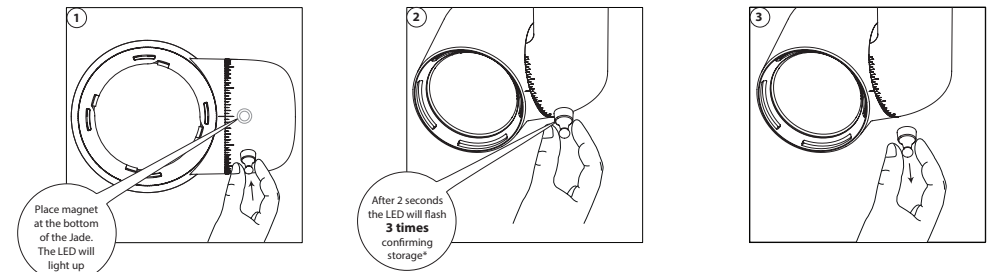
PROGRAMMING



All settings can be configured via DMX. Settings can be configured at once or separately. When one or a couple settings needs to be changed just leave all other setting values zero. This keeps those settings unchanged. Please check the table for more information.

Always use a DMX controller with digital interface. If not available, you can purchase the CLS D-ta DMX addresser unit (#122200).

First make sure to set the DATA on the DMX controller. To program the setting into the LED fixture follow the next steps.



* If the LEDs flashes 10 times, something went wrong. Please try again. If the problem continues to occur, please contact your local sales distributor.

WIRELESS DMX

See the Manual of Wireless Solutions. The Manual can be found on our CLS website, in the Downloads section. Or use the link below
<https://www.cls-led.com/wp-content/uploads/cls-files/W-DMX-manual.pdf>

Unlink procedure

When the fixture does not receive a DMX signal (DMX controller off), place the magnet on the bottom of the fixture for 5 seconds. Slow flash indicates that the fixture is unlinked.

BLUETOOTH BY CASAMBI

For Casambi controlled fixtures, see the manual of Casambi. The Manual can be found on our CLS website, in the Downloads section. Or use the link below:
https://www.cls-led.com/wp-content/uploads/cls-products/CLS_CASAMBI/MANUAL/Manual_Casambi_controlsistem_EN.pdf



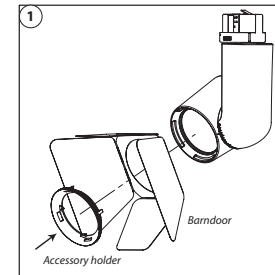
Max. 20 pieces of Jade Colour Flow can be connected in a group. Max. 20 pieces of Jade Colour Flow per DMX line on a rail.

PROGRAMMING TABLE

BARNDOOR ASSEMBLY

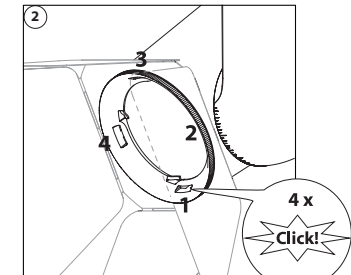
| PROGRAMMING TABLE | | | | |
|-------------------|------------------------|---------|-------------------------|--|
| DMX | Function | Data | Parameters | Description |
| CH1 | Set address 001 to 255 | 0 | 0 = no change | Use this DMX channel to set address from 001 to 255. The configured DMX address is called "n" |
| | | 1...255 | DMX address = 1...255 | |
| CH2 | Set address 256 to 508 | 0 | no change | Use this DMX channel to set address from 256 to 508. The configured DMX address is called "n" |
| | | 1...255 | DMX address = 256...508 | |
| CH3 | Static behavior | 0 | no change | If no DMX is present the fixture will respond like set in this function. |
| | | 1 | last DMX value | |
| | | 2 | output off | |
| | | 3 | load static values | |
| CH4 | Soft dim | 0 | no change | Soft dim will interpolate between the DMX values. This function makes the dim curve smoother |
| | | 1 | off | |
| | | 2 | on | |
| CH5 | Master control | 0 | no change | If master is first channel is selected the channel will be DMX channel "n". If master is last channel is selected the channel will be "n+x" ("x" is calculated in the output patch). |
| | | 1 | no master used | |
| | | 2 | master is first channel | |
| | | 3 | master is last channel | |
| CH6 | Output 1 patch | 0 | no change | Each output channel can be patched to respond to the desired DMX channel. This enables the user to mix up the colours according to the controller that is used. |
| | | 1 | DMX channel n | |
| | | 2 | DMX channel n+1 | |
| | | 3 | DMX channel n+2 | |
| | | 4 | DMX channel n+3 | |
| CH7 | Output 2 patch | 0 | no change | Example: all outputs are patched as 1 All outputs will be controlled by DMX channel "n". If master is used total DMX channels will be 2 otherwise it uses 1 channel ("x" = 1). |
| | | 1 | DMX channel n | |
| | | 2 | DMX channel n+1 | |
| | | 3 | DMX channel n+2 | |
| | | 4 | DMX channel n+3 | |
| CH8 | Output 3 patch | 0 | no change | Example: output 1&2 are patched as 1 and 3&4 are patched as 2 Output 1&2 will be controlled by DMX channel "n". Output 3&4 will be controlled by DMX channel "n+1". If master is used total DMX channels will be 3 otherwise it uses 2 channels ("x" = 2). |
| | | 1 | DMX channel n | |
| | | 2 | DMX channel n+1 | |
| | | 3 | DMX channel n+2 | |
| | | 4 | DMX channel n+3 | |
| CH9 | Output 4 patch | 0 | no change | Each output channel can be set to a static intensity. |
| | | 1 | DMX channel n | |
| | | 2 | DMX channel n+1 | |
| | | 3 | DMX channel n+2 | |
| | | 4 | DMX channel n+3 | |
| CH10 | Static output 1 | 0 | no change | If no DMX is present and Static behavior is set to "load static values". The outputs will be set to the configured intensity values. |
| | | 1 | output off | |
| CH11 | Static output 2 | 2...255 | intensity 2...255 | |
| | | 0 | no change | |
| CH12 | Static output 3 | 1 | output off | |
| | | 2...255 | intensity 2...255 | |
| CH13 | Static output 4 | 0 | no change | |
| | | 1 | output off | |
| CH14 | Load default settings | 2...255 | intensity 2...255 | |
| | | 0 | no change | |
| | | X | Load Factory settings | This function resets all settings to the Factory setting. Check Factory settings. |

| FACTORY SETTINGS | | | | | | | | | | | |
|------------------|-----------------|----------|----------------|----------------|----------------|----------------|----------------|-----------------|-----------------|-----------------|-----------------|
| Address | Static behavior | Soft dim | Master control | Output patch 1 | Output patch 2 | Output patch 3 | Output patch 4 | Static output 1 | Static output 2 | Static output 3 | Static output 4 |
| 1 | 1 | Off | Off | 1 (R) | 2 (G) | 3 (B) | 4 (W) | 255 | 255 | 255 | 255 |



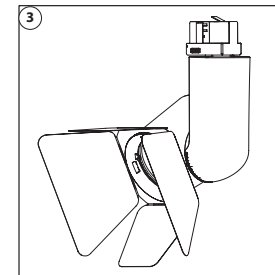
NL Plaats de accessoire houder met de 4 klikvingers in het midden van de montage gleuf op de Jade.

UK Place the accessory holder with the 4 click fingers in the middle of the mounting slot on the Jade.



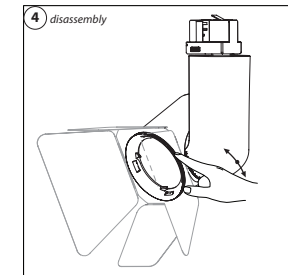
Druk krachtig aan, u dient een duidelijke 'klik' te horen.

Push firmly until you hear a clear 'Click' sound.



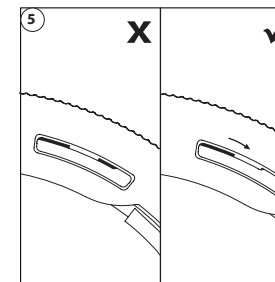
Als u de barndoor wilt roteren voor een juiste positie, dient u dit met 1 hand te doen en met de andere hand de accessoire houder op zijn plaats te houden.
Doet u dit niet, dan kunt u de accessoire houder losklikken!

If you want to rotate the barndoor to find the desired position, you need to keep the accessory holder with one hand on its place.
If you don't do this you might release the accessory holder!



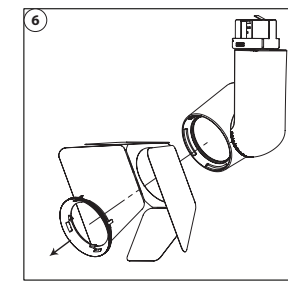
Verwijderen van de barndoor: draai de accessoire houder geheel naar links of naar rechts tot deze niet meer verder kan.

Removing the barndoor: rotate the accessory holder fully to the right or left, until you are not able to rotate it any further.



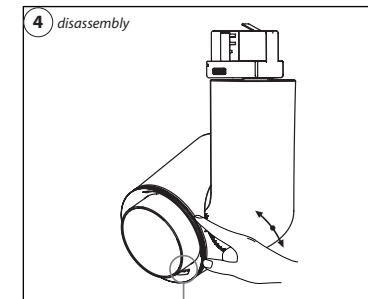
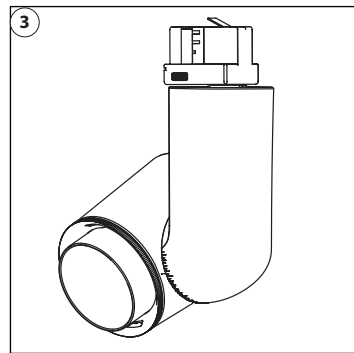
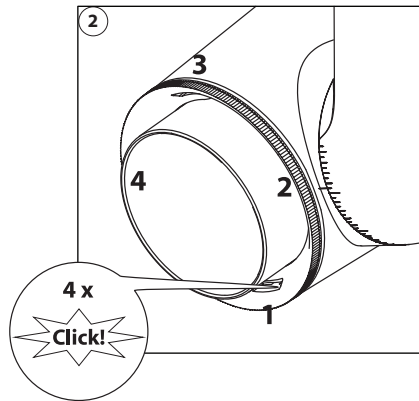
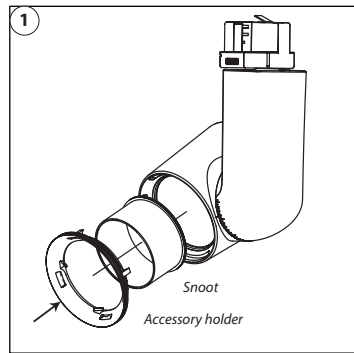
U voelt een weerstand en kunt nu de accessoire houder naar voren halen.

When you feel the resistance, pull the accessory holder out of the mountingslot.

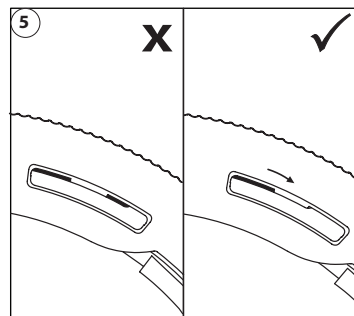


SNOOT / HALF SNOOT ASSEMBLY

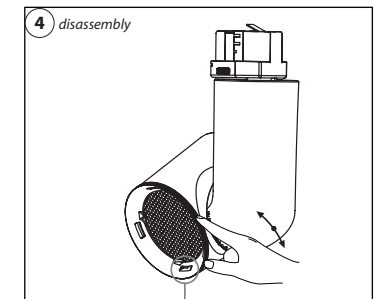
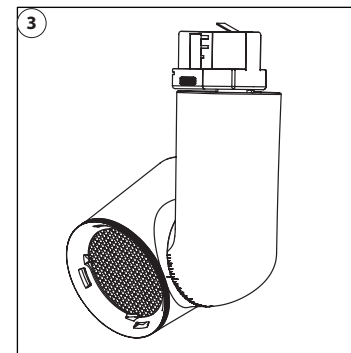
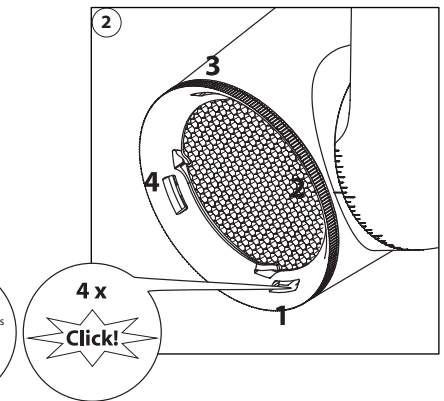
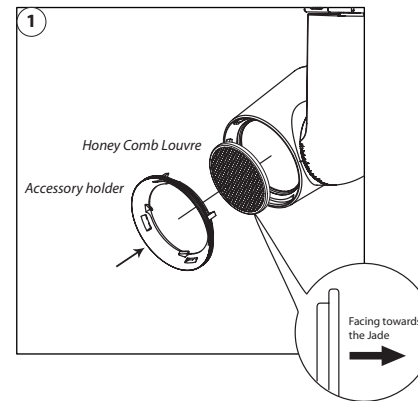
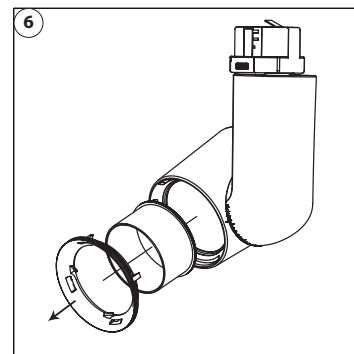
HONEY COMB LOUVRE ASSEMBLY



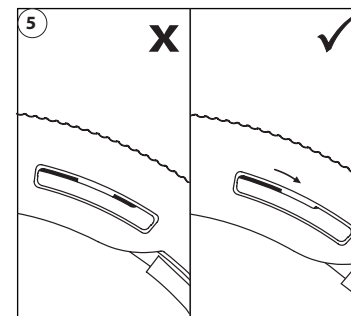
4 disassembly
Removing the snoot: rotate the accessory holder fully to the right or left, until you are not able to rotate it any further. (See step 5)



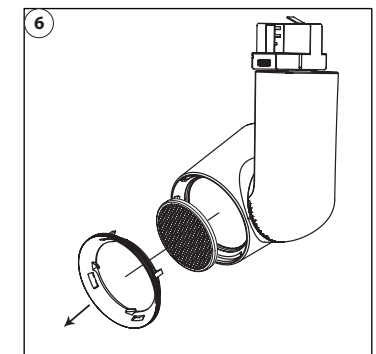
When you feel the resistance, pull the accessory holder out of the mountingslot.



4 disassembly
Removing the honey comb: rotate the accessory holder fully to the right or left, until you are not able to rotate it any further. (See step 5)



When you feel the resistance, pull the accessory holder out of the mountingslot.



ACCESSORIES

ACCESSORIES

Global - black

| | |
|-----------|--|
| Y108501-B | CLS Global 3-phase rail + data 1 meter black |
| Y108502-B | CLS Global 3-phase rail + data 2 meter black |
| Y108503-B | CLS Global 3-phase rail + data 3 meter black |
| Y108504-B | CLS Global 3-phase rail + data 4 meter black |
| Y108511-B | CLS Global 3-phase rail + data end feed right, black |
| Y108512-B | CLS Global 3-phase rail + data end feed left, black |
| Y108513-B | CLS Global 3-phase rail + data middle feed black |
| Y108515-B | CLS Global 3-phase rail + data L-coupler inner black |
| Y108516-B | CLS Global 3-phase rail + data L-coupler outer black |
| Y110938 | CLS Global 3-phase rail + data end cap black |

Global - grey

| | |
|-----------|---|
| Y108501-G | CLS Global 3-phase rail + data 1 meter grey |
| Y108502-G | CLS Global 3-phase rail + data 2 meter grey |
| Y108503-G | CLS Global 3-phase rail + data 3 meter grey |
| Y108504-G | CLS Global 3-phase rail + data 4 meter grey |
| Y108511-G | CLS Global 3-phase rail + data end feed right, grey |
| Y108512-G | CLS Global 3-phase rail + data end feed left, grey |
| Y108513-G | CLS Global 3-phase rail + data middle feed grey |
| Y108515-G | CLS Global 3-phase rail + data L-coupler inner grey |
| Y108516-G | CLS Global 3-phase rail + data L-coupler outer grey |
| Y110935 | CLS Global 3-phase rail + data end cap grey |

ACCESSORIES

Eutrac - white

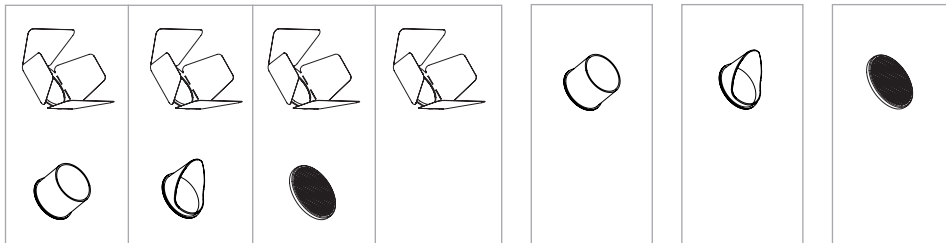
| | |
|---------|--|
| Y108133 | CLS Eutrac 3-phase rail + data 3 meter white |
| Y108153 | CLS Eutrac 3-phase rail + data end feed right, white |
| Y108163 | CLS Eutrac 3-phase rail + data end cap white |

| | |
|-----------|--|
| 122200 | CLS D-Ta DMX tester/addresser unit |
| Y106016 | CLS Magnet pin (4 pcs) |
| Y106200-B | CLS Jade Expo Snoot, black |
| Y106200-W | CLS Jade Expo Snoot, white (black inside) |
| Y106201-B | CLS Jade Expo Half Snoot, black |
| Y106201-W | CLS Jade Expo Half Snoot, white (black inside) |
| Y106202-B | CLS Jade Expo Barndoor, black |
| Y106202-W | CLS Jade Expo Barndoor, white (black inside) |
| Y106215 | CLS Jade Expo Honey Comb louvre |

Eutrac - black

| | |
|---------|--|
| Y108112 | CLS Eutrac 3-phase rail + data 1 meter black |
| Y108122 | CLS Eutrac 3-phase rail + data 2 meter black |
| Y108132 | CLS Eutrac 3-phase rail + data 3 meter black |
| Y108142 | CLS Eutrac 3-phase rail + data 4 meter black |
| Y108152 | CLS Eutrac 3-phase rail + data end feed right, black |
| Y108155 | CLS Eutrac 3-phase rail + data end feed left, black |
| Y108158 | CLS Eutrac 3-phase rail + data middle feed black |
| Y108162 | CLS Eutrac 3-phase rail + data end cap black |
| Y108175 | CLS Eutrac 3-phase rail + data L-coupler inner black |
| Y108178 | CLS Eutrac 3-phase rail + data flex coupler black |
| Y108199 | CLS Eutrac 3-phase + data monopoint black |

Accessory Combinations



LIST OF SYMBOLS

| | | | |
|--|--|--|--|
| | Protection class One, two or three | | Retail & Food LED modules Clothing, furniture, kitchens, jewellery, shoes, bread, meat, fish and vegetables & fruit. |
| | Application area Indoor or outdoor | | Colour Available colours: Amber, blue, red or green |
| | Application area Floor, wall or ceiling | | White colour temperature In different Kelvin values: Cold white, neutral white, warm white or extra warm white |
| | Swivel Fixture is horizontally rotatable. Indicated in degrees | | Curve Minimal bending curve in centimeters |
| | Swivel Fixture is vertically rotatable. Indicated in degrees | | Cutting length Indicated by the cutting marks |
| | Multiple connection Daisychain connectivity | | LED pitch Pitch between the LEDs in millimeters |
| | Installation depth In centimeters | | Power supply In VDC, VAC or milliAmpere |
| | Installation size In centimeters | | Power consumption In VA or Watt |
| | Cable length Maximum cable attached to the fixture in centimeters | | Dimmable 1-10 Volt, Phase, individual, DMX dimmable or DALI |
| | Driver Inclusive or exclusive Internal or external | | PWM dimming Traditional PWM dimming, DMX analog or DMX Hybrid dim |
| | Weight In grams/kilograms | | Bluetooth controlled By Casambi |
| | Pressure Maximum pressure on the fixture in kg/cm ² | | Magno dimming Accurate dimming from 100 - 1% by using a magnet |
| | Lifespan Of the light source in hours | | Dynamic Control Dynamic Power Control or Dynamic Temperature Control |
| | Lenses Available lenses, indicated in degrees | | DMX input Fixture works on DMX512 protocol or Wireless DMX |
| | Performance Zoom Adjustable beam angle | | Combined product Compose your own fixture |
| | LEDs Kind of LED used in the fixture | | Warranty 3 or 5 years warranty on the product |
| | Plug & play Easy connection using the SmartConnect system | | Conformité Européenne CE marking for free marketability of industrial goods within the EU |
| | IP value Ingress Protection classifies the degrees of protection provided against the intrusion of the product | | Energy label |
| | Colour changing RGB, RGB-W, RGB-A, AWB or Tunable White | | Lightsource Equipped with a CLS, Citizen or a Xicato LED module |