

M12 male 0° A-cod. screw terminal5-pol., max. 0,75mm², 6 - 8mm

Male straight

M12, 5-pole

Screw terminals

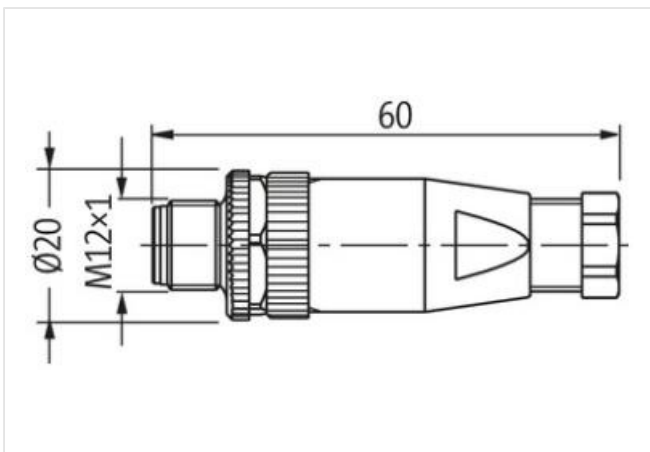
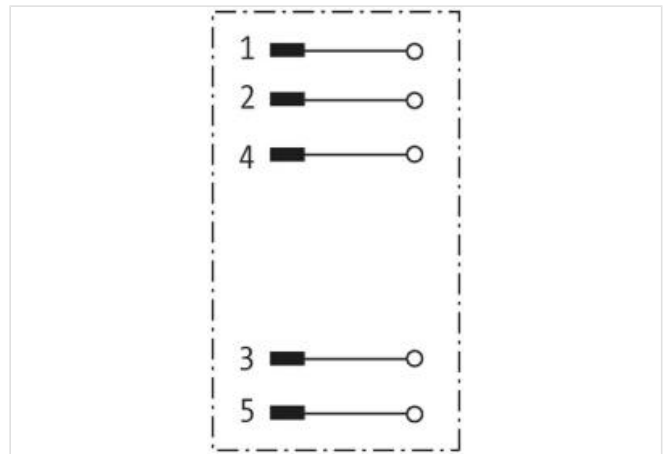
Sealing range (cable Ø): 6...8 mm

Plastic housings with good resistance against chemicals and oils.

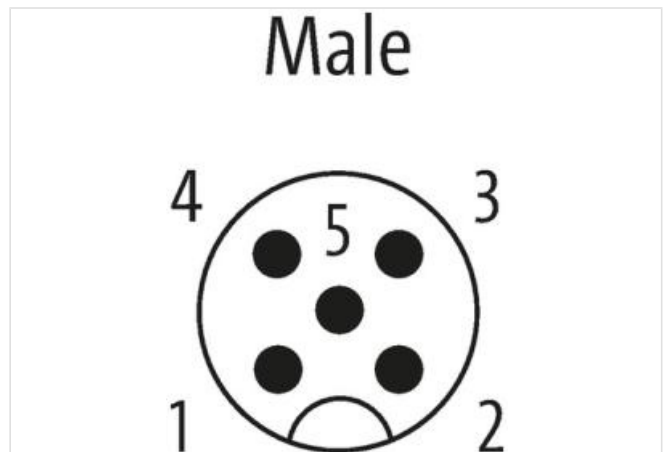
The resistance to aggressive media should be individually tested for your application. Further details on request.

DISTRIBUTED BY

Wired 4 Signs USA
+1 (865) 339 4956
info@w4susa.com
7669 Clinton
Highway, Powell,
Tennessee, 37849

**[Link to Product](#)****Illustration**

Product may differ from Image

**Technical Data**

Operating voltage	max. 60 V AC/DC
Operating voltage (only UL listed)	max. 125 V AC/DC
Rated surge voltage	1.5 kV
Operating current per contact	max. 4 A; max. 3 A (UL-Recognized)

The information in this Product-PDF has been compiled with the utmost care.

Liability for the correctness completeness and topicality of the information is restricted to gross negligence. Version: 2023-05-30

Murrelektronik GmbH | Falkenstraße 3 | 71570 Oppenweiler | Fon +49 (71 91) 47-0 | Fax +49 (71 91) 47-491000 | shop@murrelektronik.com | shop.murrelektronik.com

Material group	III
Locking of ports	Screw thread (M12×1 mm) recommended torque 0.6 Nm, self-securing
Connection cross section	max. 0.75 mm ²
Sealing range (cable Ø)	6...8 mm
Protection	IP67 inserted and tightened (EN 60529)
Compression gland	M12 (SW18)
Over voltage category	II

General data

Pollution Degree	3
Temperature range	-40...+85 °C
Material housing	PA
Dimensions H×W×D	60×20×20 mm

DISTRIBUTED BY



Wired 4 Signs USA
+1 (865) 339 4956
info@w4susa.com
7669 Clinton
Highway, Powell,
Tennessee, 37849