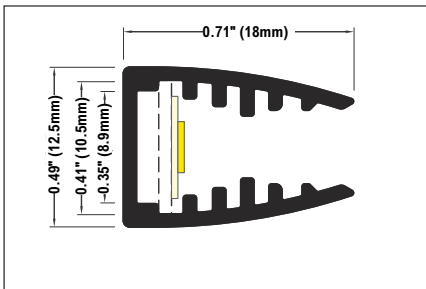
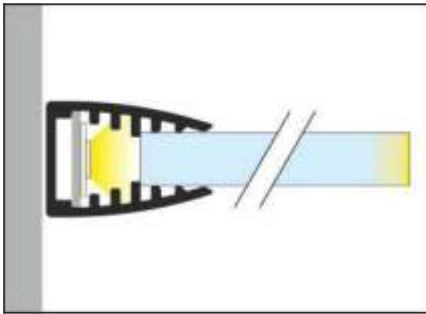




# MIKRO10

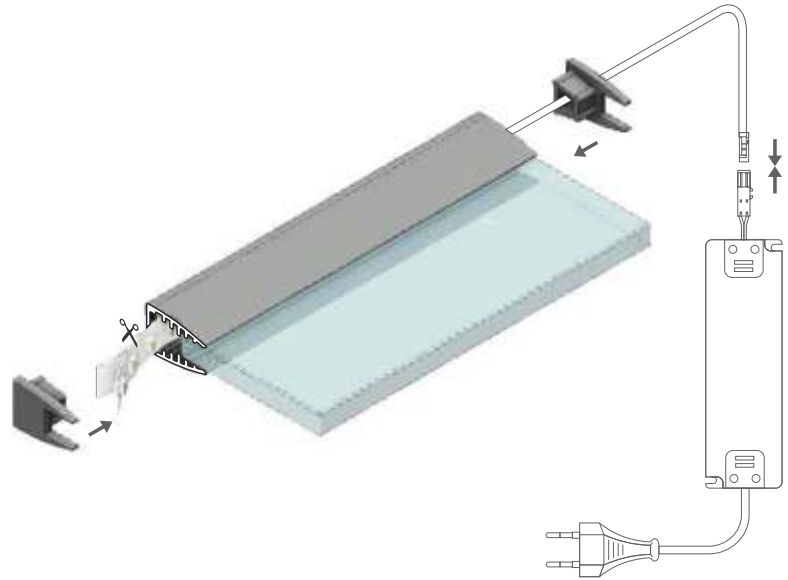
---

- to illuminate the edge or engraving on a glass panel surface
- to be used for furniture (display cases) or advertising
- discreet form
- fits 6 mm thick acrylic or polycarbonate or glass panel
- note: the profile is not a construction element
- max LED strip width 0.39" (10mm)





-  max 0.39" (10mm)
-  glass application



INDEX = 1 pc, length 2 meter (6.56ft)

---

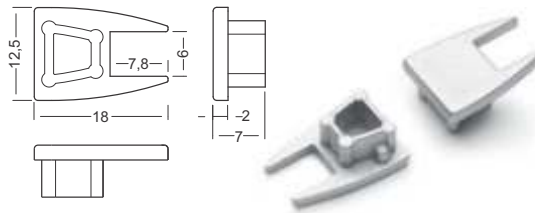
anodized  
**68540020**

---

Available lengths 2 meter (6.56ft)  
 length tolerance is +20 mm.  
 More details >> 1.08.

## ENDINGS

**MIKRO10 ending**  
 colours: silver, grey, transparent  
 material: ABS, ABS, PC



Package = 10 sets = 20 pcs

---

silver  
**68550040**

grey  
**68550022**

transparent  
**68550000**

## LED MOUNTING

**MIKRO10 LED mounting**  
 material: HIPS

INDEX = 1 pc, length 2 meter (6.56ft)

---

**68640000**

---

Available lengths  
 2 meter (6.56ft)

