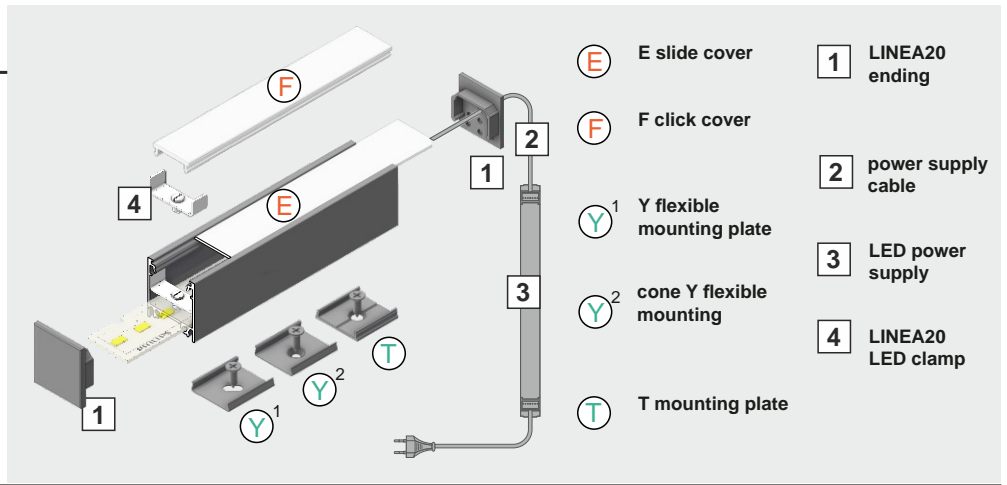
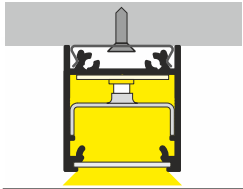
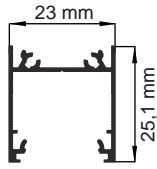


# LINEA20 EF/TY

## SURFACE PROFILE



- E** E slide cover
- F** F click cover
- Y<sup>1</sup>** Y flexible mounting plate
- Y<sup>2</sup>** cone Y flexible mounting
- T** T mounting plate
- 1** LINEA20 ending
- 2** power supply cable
- 3** LED power supply
- 4** LINEA20 LED clamp



scissors



hacksaw



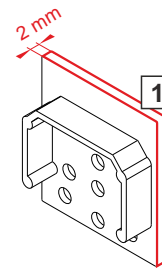
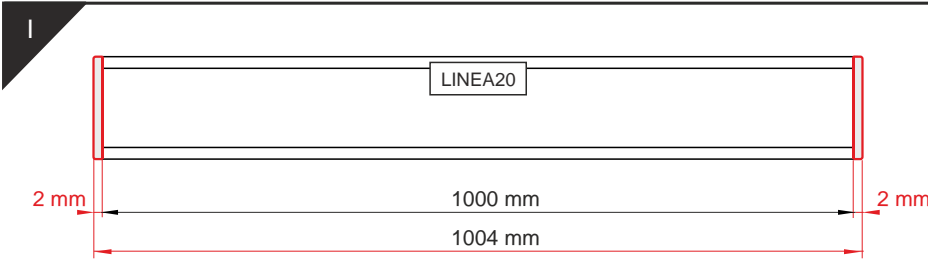
glue



drill

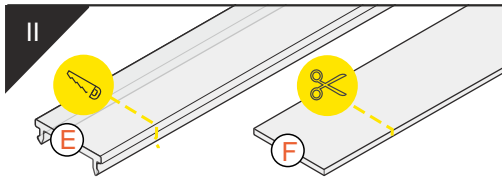


screwdriver

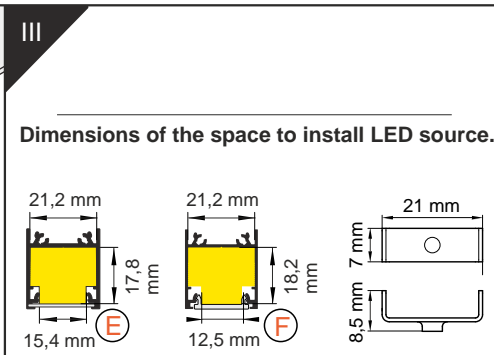


**Note!** Ending with marked space to bore the holes. Possibility of buying dedicated screws.

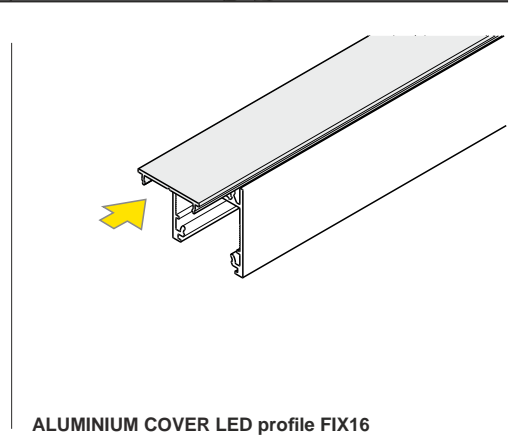
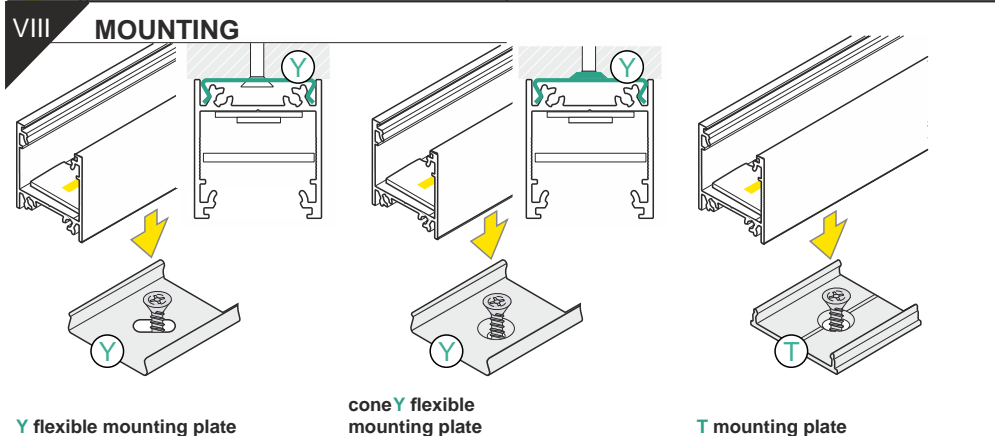
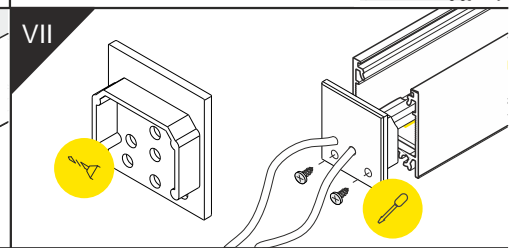
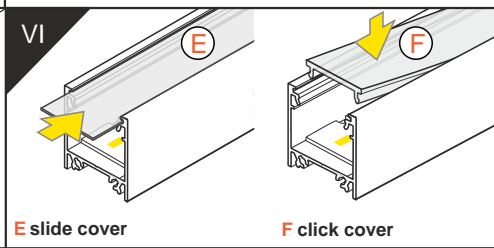
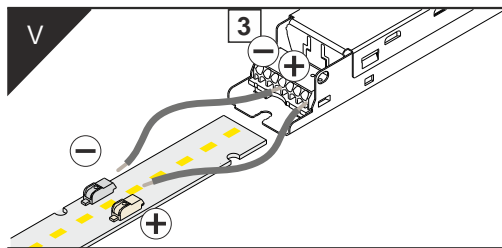
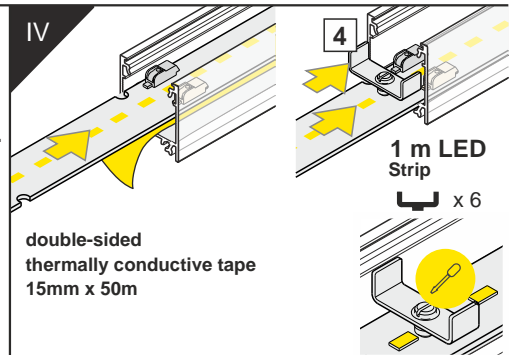
**Note!** Ending thickness increases the length of the luminaire (+ 2 x 2 mm).



The length of the cover is equal to the length of the profile.

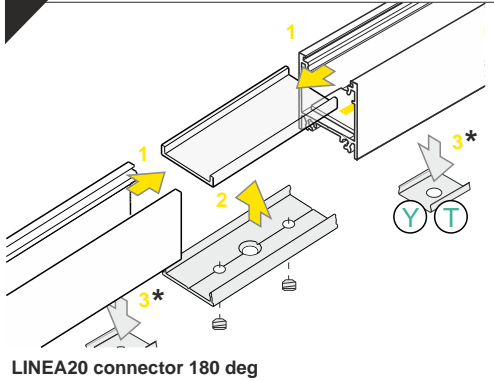


Dimensions of the space to install LED source.



\* Parameters tolerance +/- 7%

# IX CONNECTORS



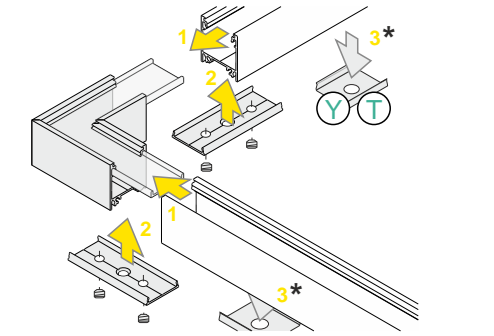
LINEA20 connector 180 deg

Every connector is installed similarly to LINEA20 connector 180 deg and connector 90 deg.

Available angular connectors:

1. LINEA20 60 deg
2. LINEA20 90 deg
3. LINEA20 120 deg
4. LINEA20 135 deg
5. LINEA20 180 deg

\* Surface mounting



LINEA20 connector 90 deg

# CONNECTOR POSSIBILITIES



Connector LINEA20 60 deg



Connector LINEA20 90 deg



Connector LINEA20 120 deg



Connector LINEA20 135 deg



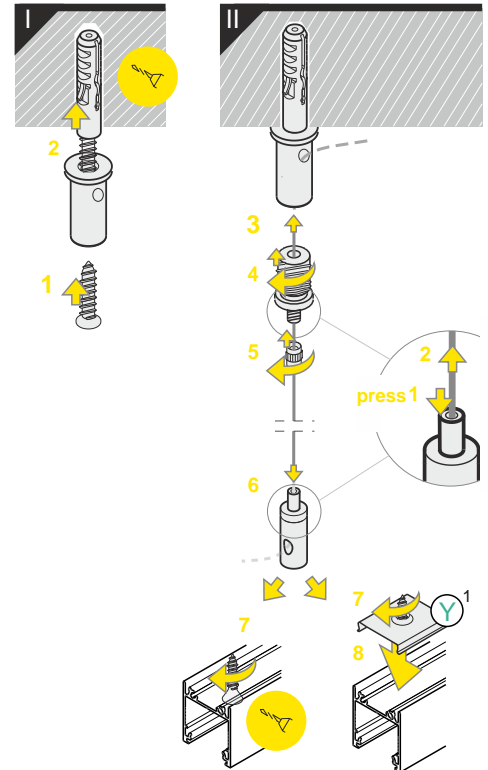
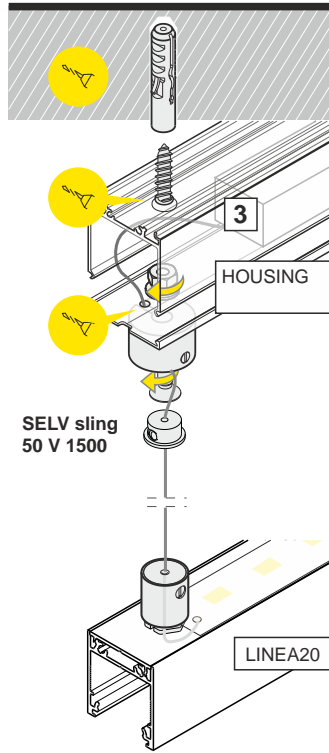
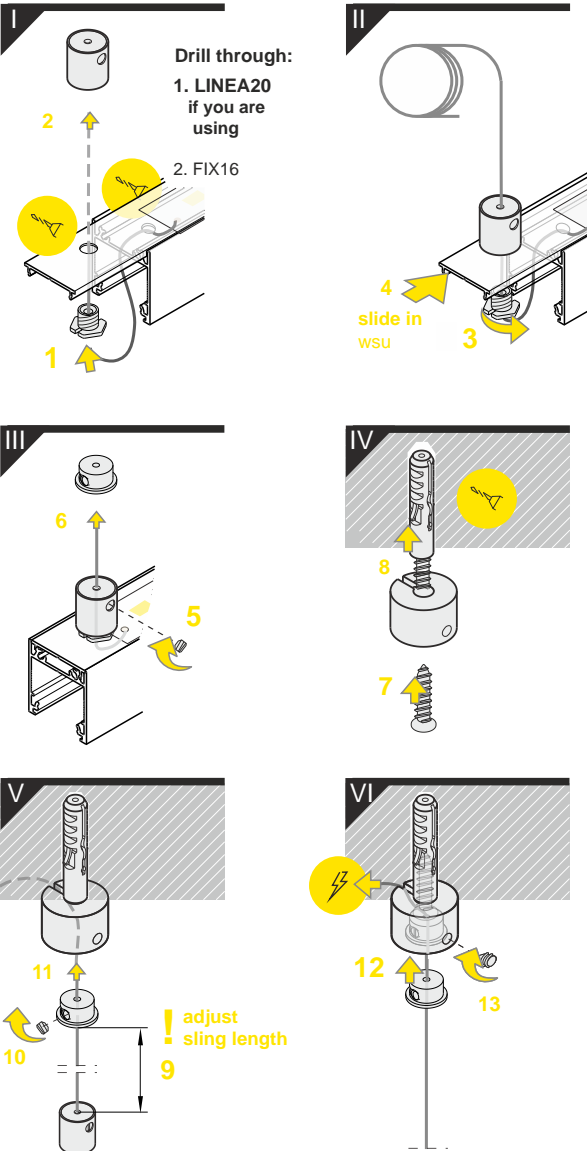
Connector LINEA20 180 deg

# X SLING

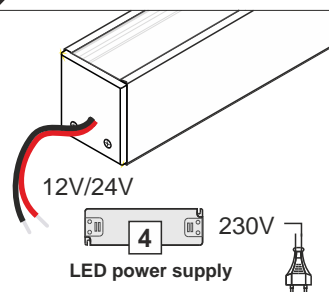
## SELV sling 50 V 1500

## SELV sling 50 V 1500 + housing

## sling for LED mounting 1500



# IX POWER SUPPLY



Wired 4 Signs USA  
+1 (865) 339 4956  
info@w4susa.com  
7669 Clinton Highway, Powell, Tennessee,  
37849

\* Parameters tolerance +/- 7%