

SPECIFICATIONS

RGB Series

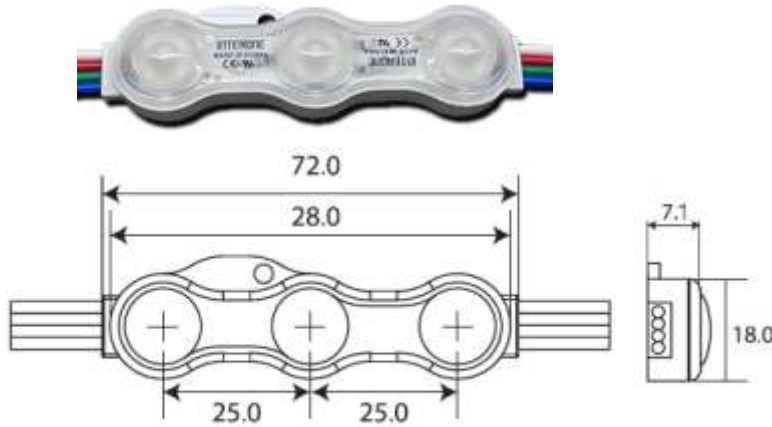


Protection ClassIP68.....
 Operating Temperature.-22° ~ 158° F
 Life Rating>50,000.hours
 Fastening3M.tape.& Mechanical

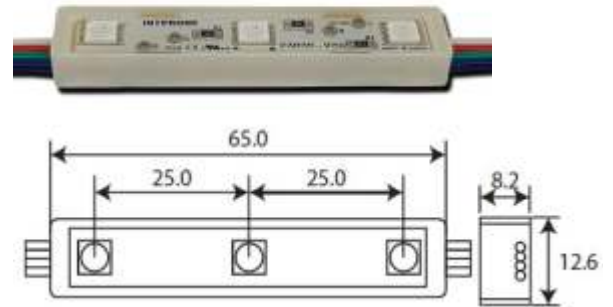
.....Reverse Circuit Protection

.....Wire-Thru Technology

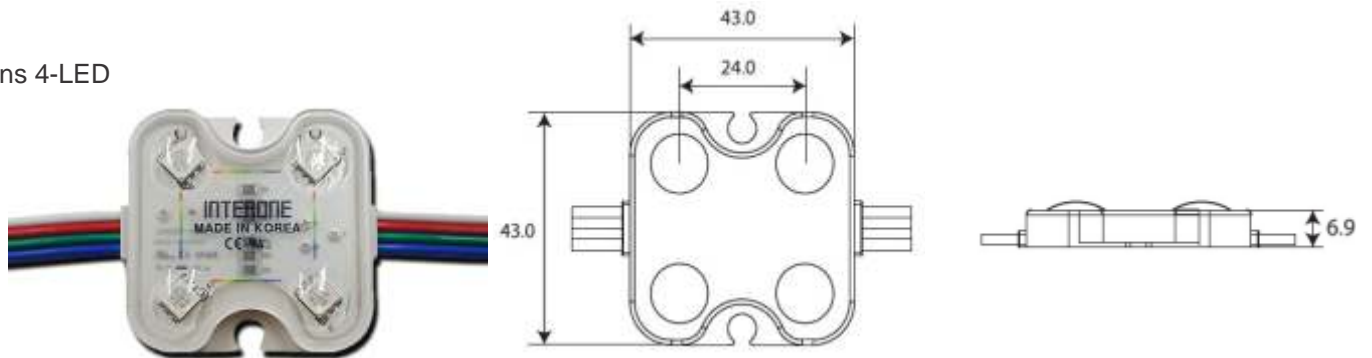
V05 Lens 3-LED



V03 Epoxy 3-LED



V05 Lens 4-LED



Group	Part Number	LED	Beam Angle	CCT (Kelvin)	Wave length (nm)	Intensity		Current (mA)	Wattage	Wire length (in)	Module/ft
						Lm/W	Lm				
RGB	Z3V-3F-F-a2-072-K5	3	125°	NA	NA	35	25	60	0.72	3.1	2
	Z3V-5F-F-a6-072-K5	3	160°	NA	NA	33	24	60	0.72	3.7	2
	Z4V-5F-F-a4-144-K5	4	140°	NA	NA	28	40	120	1.44	3.9	2

* Parameters tolerance +/- 7%

