

- 1. HR-MAX lighting fixture
- 2. Foam
- 3. Cable for a 12 V / 24 V power supply**
- 4.1 Hermetic coupler (item 4.1) *
- 4.2 Hermetic coupler (item 4.2) *
- 4.3 Hermetic coupler (item 4.3) *
- 5.1 Connector (item 5.1) *
- 5.2 Connector (item 5.2) *

* The full range of accessories and electronics is available at www.KlusDesign.eu

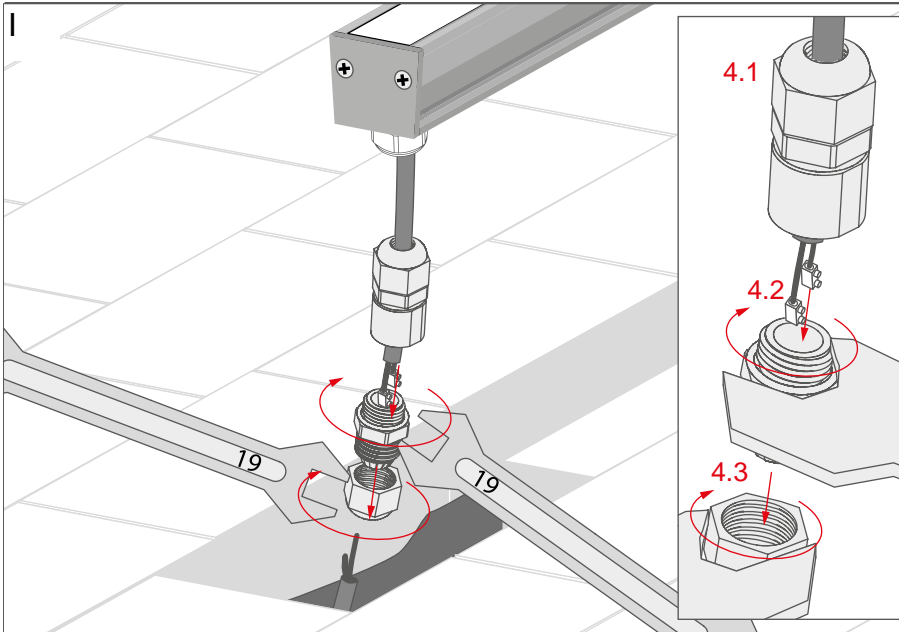
** Use a cable with circular insulation and an outer diameter of not less than 6 mm / 0.24" and not more than 9 mm / 0.35".

NOTE! The fixture comes with a Z-type fastener. A damaged external flexible conductor in this fixture cannot be replaced. In the event of damage to the external flexible conductor, the fixture must be disposed. The light source of this fixture is not replaceable; when the light source is worn out, the entire lighting fixture must be replaced.

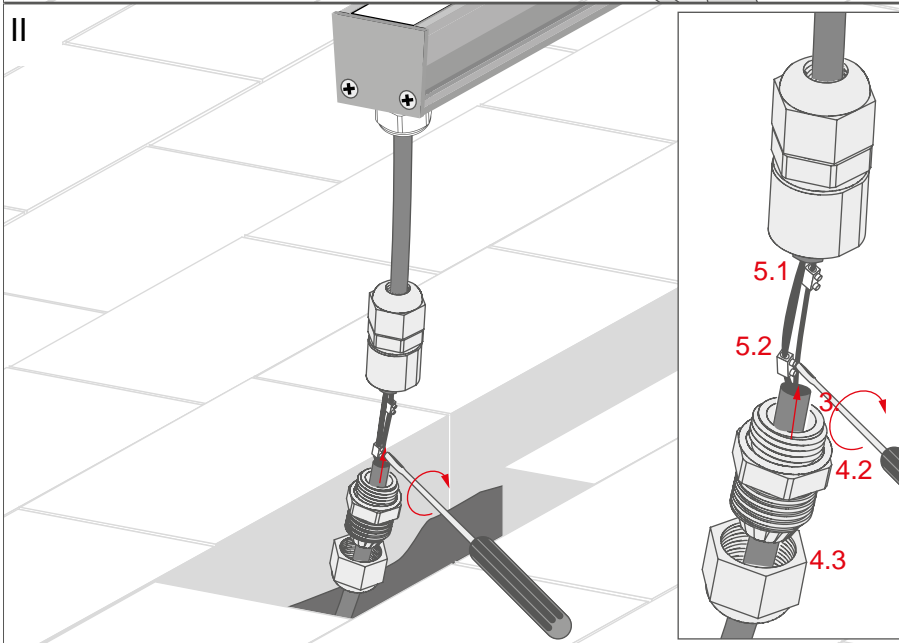
IMPORTANT: Not all possible mounting procedures are presented here. More mounting procedures and related accessories can be found at www.KlusDesign.eu. Drawings of profiles and accessories in these instructions are simplified and only approximate the actual shapes.

DISTRIBUTED BY

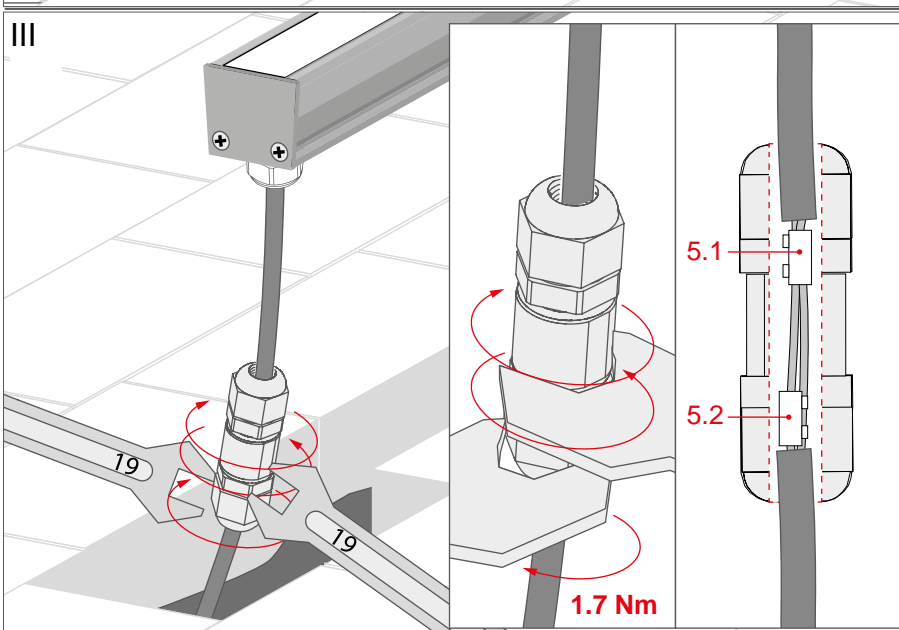




(4.2, 4.3) Detach items of the hermetic coupler from item (4.1).



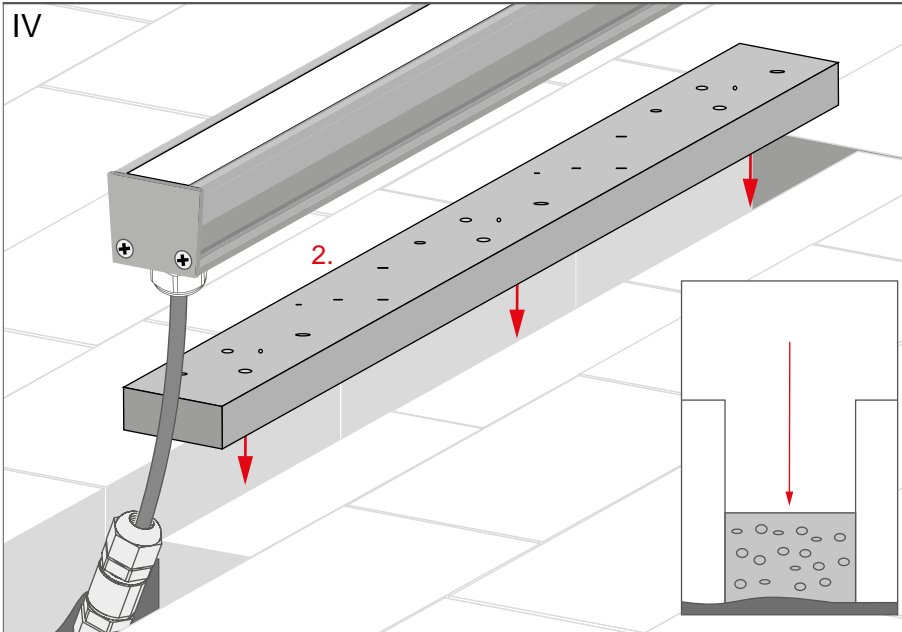
Lead the cable (3) through items (4.2, 4.3) of the hermetic coupler and attach it to the cable from the fixture, using both items (5.1, 5.2) of the connector.



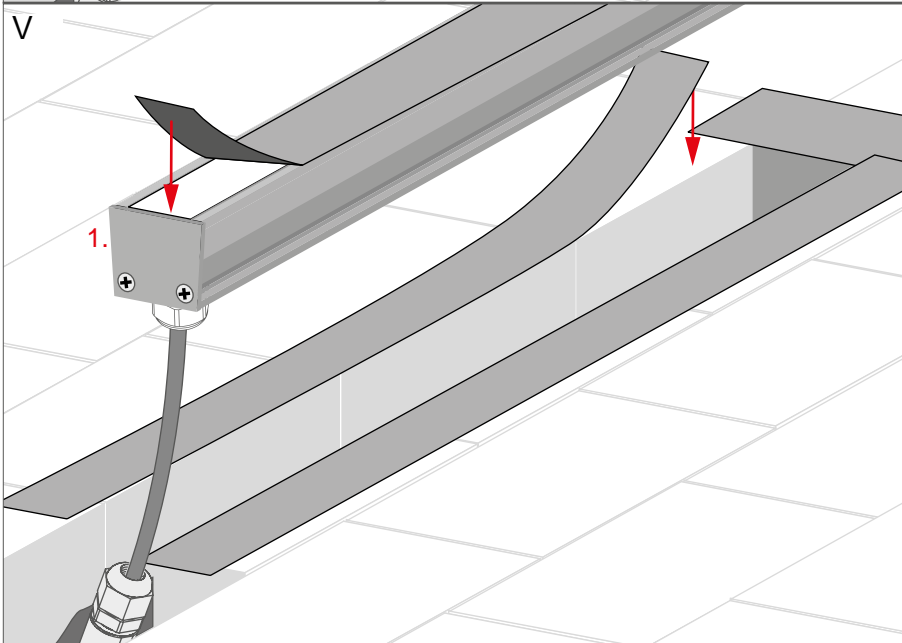
Screw together all the items of the coupler.

NOTE! When inserting cables into the coupler, make sure that both items (5.1, 5.2) of the coupler are not touching each other.

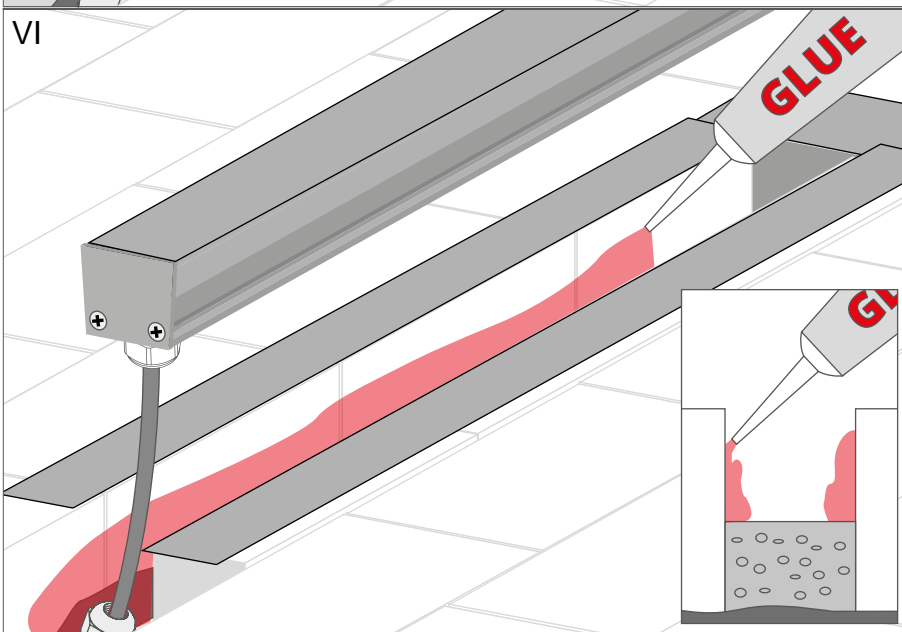
NOTE! The items must be tightened with torsional power equal to 1.7 Nm.



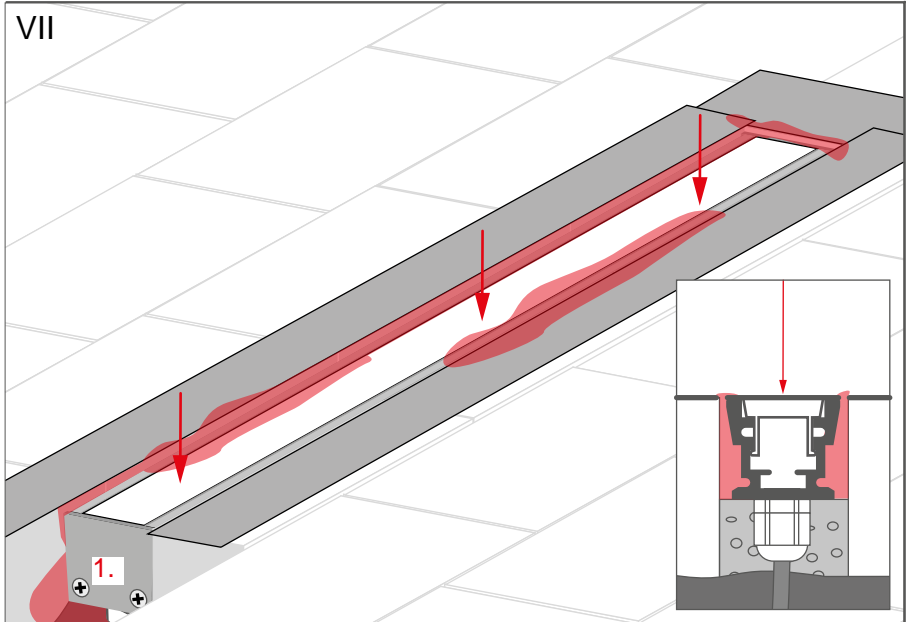
(2) Place the foam in the groove in the pavers



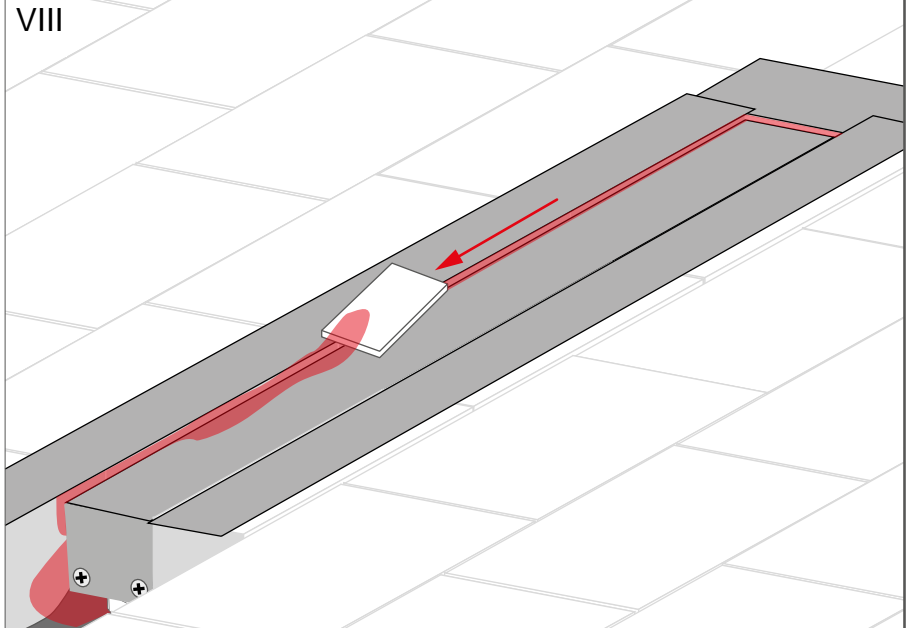
Secure the edges of the groove and surface of the HR-MAX fixture (1) with protective tape.



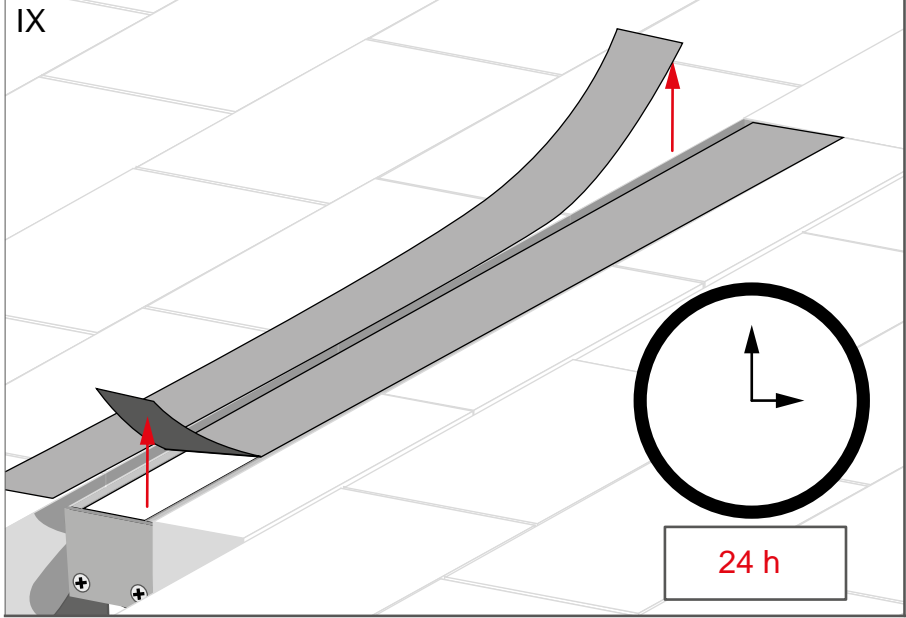
Distribute the adhesive along the walls of the groove.



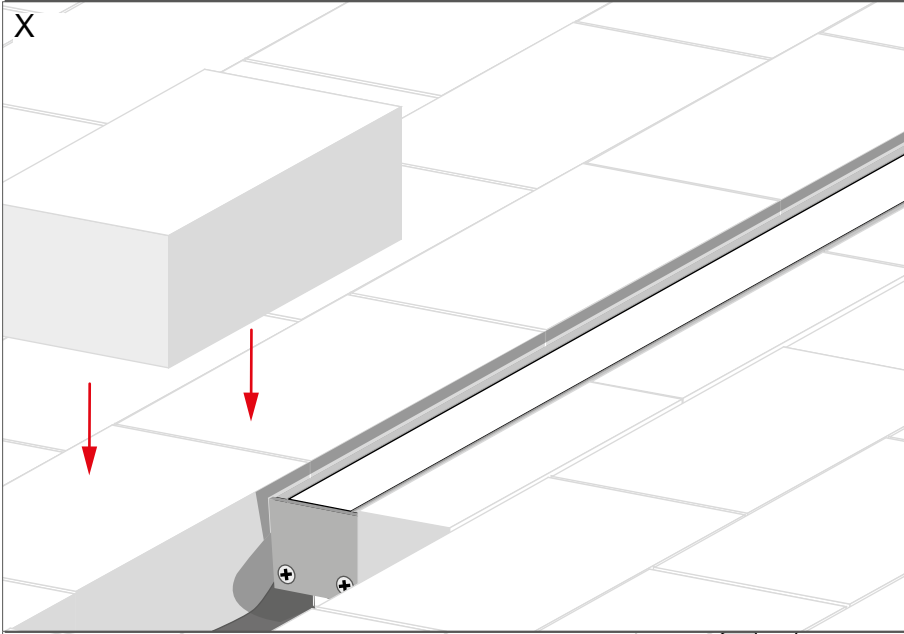
Place the fixture in the groove. The excess glue should come to the surface from the sides of the fixture and at its ends.



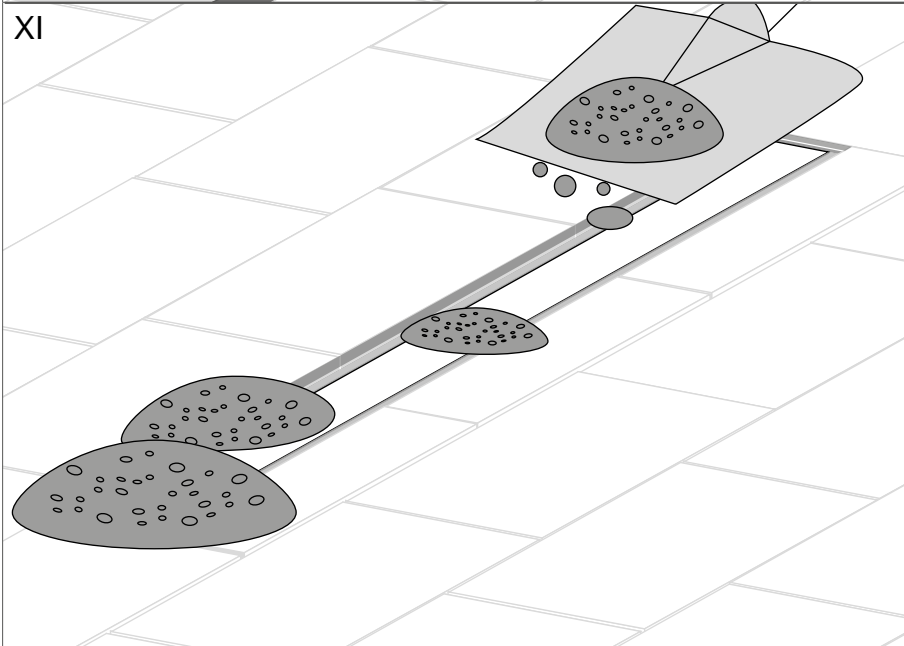
Remove the excess glue.



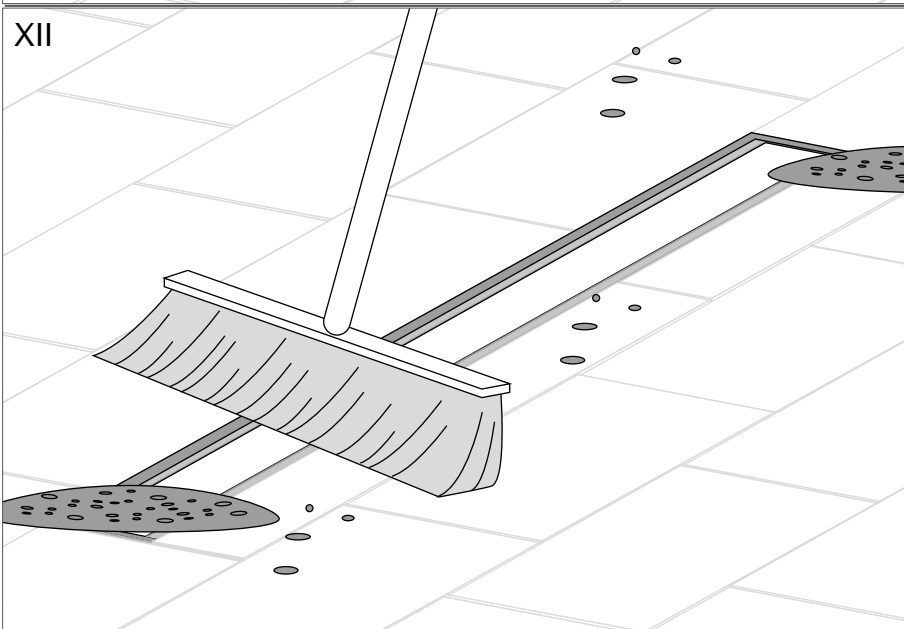
Remove the protective tape and wait 24 h until the glue dries.



Insert the missing paving stones.



Fill the remaining grooves between paving stones and the fixture with sand.



Clean the fixture from sand.