

HIDE10 C4 NEW

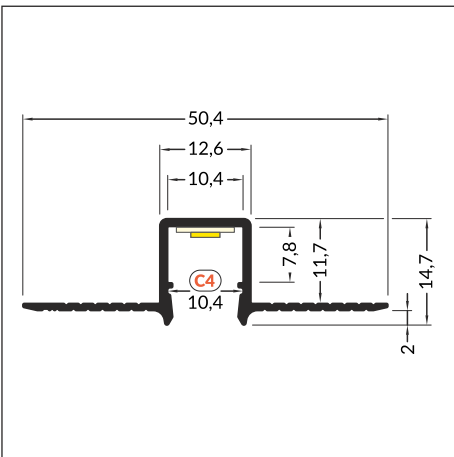
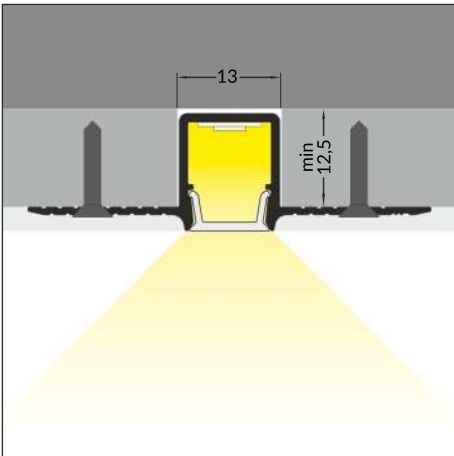
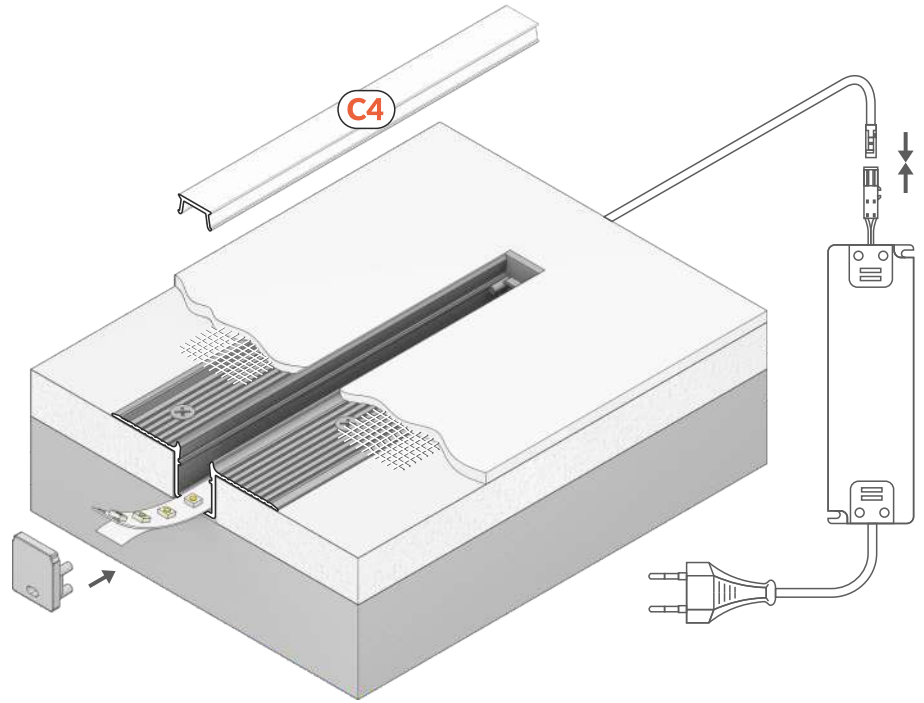
PURE LINE OF LIGHT

- profile that fits into the thickness of a standard plasterboard (12,5 mm)
- continuous line of light when using LED strip 120 P/m
- maximum width of LED strip: 10 mm



* Parameters tolerance +/- 7%

C4 C4 click cover



max 10 mm



recessed



INDEX = 1 pc, length 2000 mm

anodized

raw aluminium

Available lengths: 1000 mm, 2000 mm, 3000 mm, 4000 mm.
 The standard profile length tolerance is +20 mm.

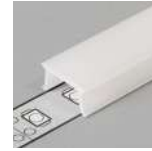
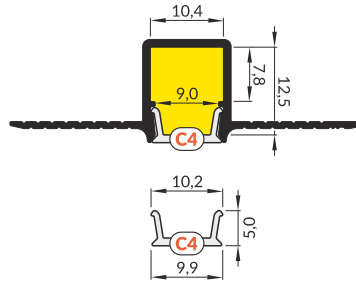
* Parameters tolerance +/- 7%

COVERS

C4 click cover
colour: opal
material: PC



Note! Dimensions of the space to install LED source



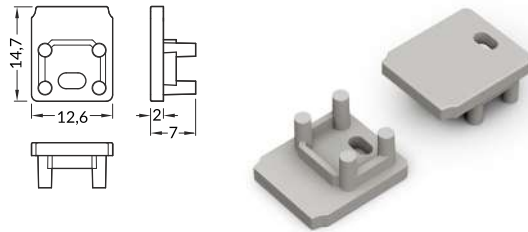
length 2000 mm

C4 opal
index = 1 pc

The standard cover length tolerance is +20 mm.

ENDINGS

HIDE10 ending with hole
colour: grey
material: ABS



INDEX = 10 sets = 20 pcs

grey

* Parameters tolerance +/- 7%



* Parameters tolerance +/- 7%