

FRAME14 BC/Q

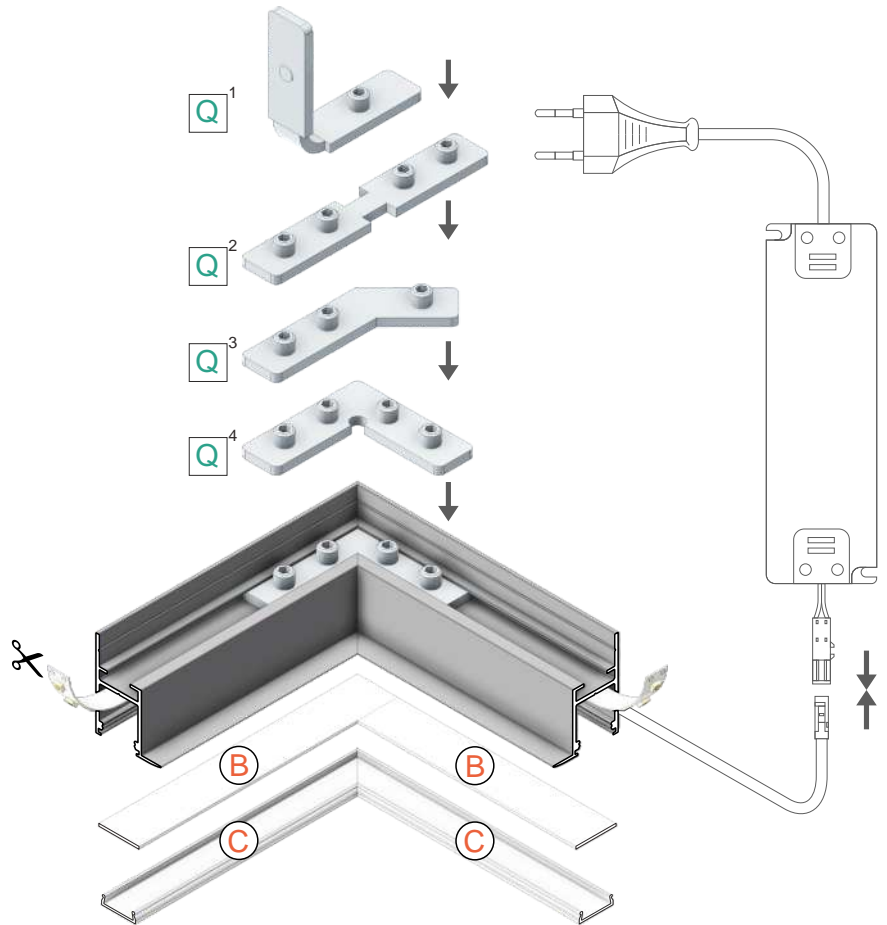
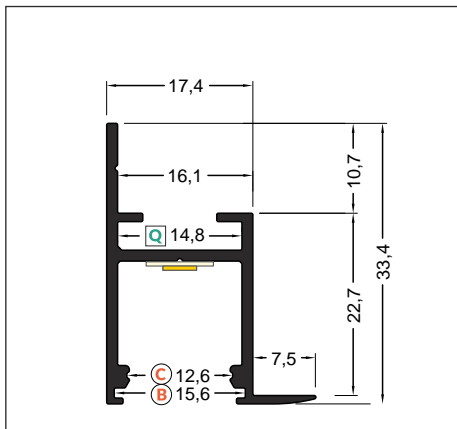
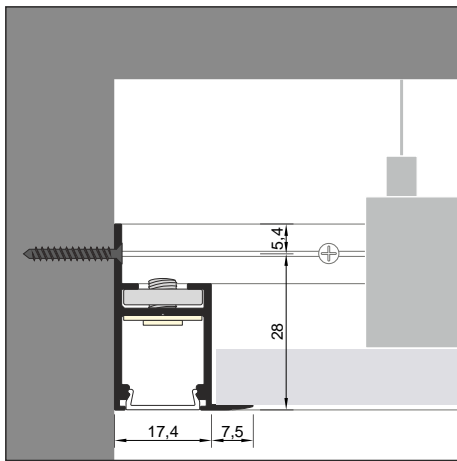
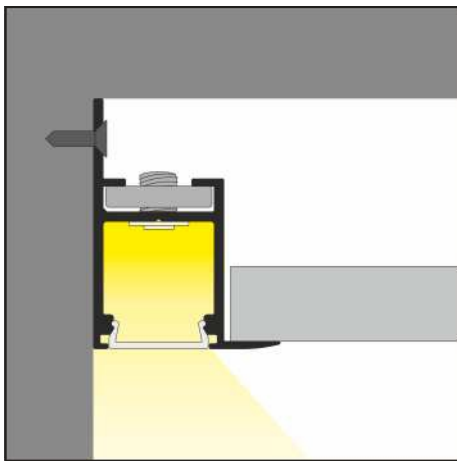
ALUMINIUM LED PROFILE FOR PLASTERBOARD

- dedicated for plasterboards - decorative construction finish
- continuous line of light (when using LED strip 120P/m and opal cover)
- multiple arrangements through a variety of connectors
- maximum LED strip width: 14 mm



* Parameters tolerance +/- 7%

- B B slide cover
- C C click cover
- Q¹ Q 90 deg bent connector
- Q² Q connector 180 deg
- Q³ Q connector 135 deg
- Q⁴ Q connector 90 deg



Please note! The profile isn't a construction profile.



max 14 mm



special application
 specjalny



length 2000 mm

white

LED-C3020001



anodized

LED-C3020020



raw aluminium

LED-C3020000

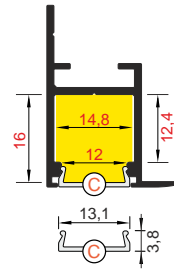
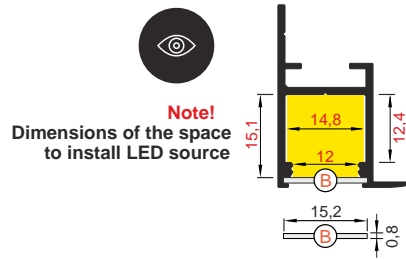
Available lengths: 1000 mm, 2000 mm, 3000 mm, 4000 mm.
 The standard profile length tolerance is +2.0 mm.

* Parameters tolerance +/- 7%

COVERS

B slide cover
 colours: transparent, frosted, opal
 material: PC, PP, PP

C click cover
 colours: transparent, opal
 material: PMMA



NEW



length 2000 mm

B transparent
 LED-76250016

B frosted
 LED-76250039

B opal
 LED-76250038

C transparent
 LED-76330000

C opal
 LED-76330038



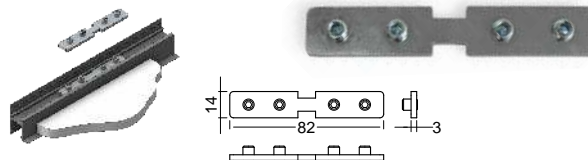
reel, length 20 m

C opal
 LED-76360038S

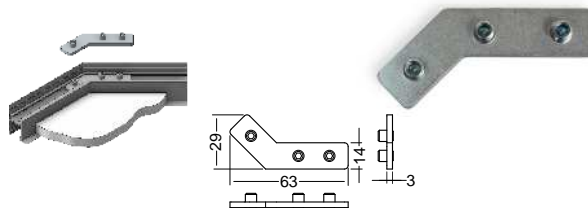
The standard cover length tolerance is +20 mm.

CONNECTORS

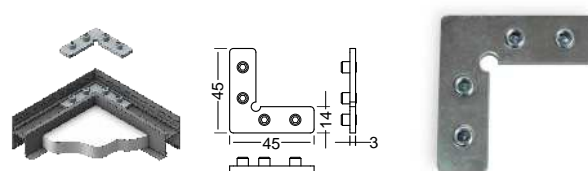
Q 180 deg / 135 deg / 90 deg connector
 material: zinc coated



Q 180 deg connector
 LED-C3990030

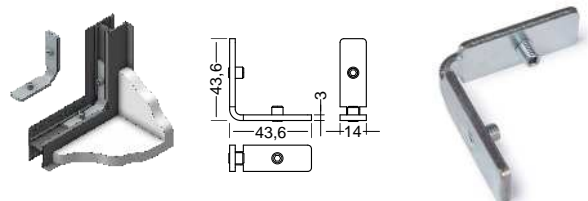


Q 135 deg connector
 LED-C3980030



Q 90 deg connector
 LED-C3970030

Q 90 deg bent connector
 material: zinc coated



Q 90 deg bent connector
 LED-C3960030

* Parameters tolerance +/- 7%



* Parameters tolerance +/- 7%