

Fortis 3

Single Colour High Power Linear LED



5-Year
Warranty



IP66
Rating



LM80
50,000hrs



ROHS
Compliant



CE
Certified



UK Conformity
Assessed

Applications

- Wall wash
- Facades
- Landscape

Benefits

- Discreet and sleek design
- Wide range of CCT
- Colour rendering options
- High lumen output
- Low power consumption
- Various beam angles
- 16 lengths available
- Finish options
- 3 mounting positions
- Anti-glare accessory
- Easy installation
- Unique & compact design
- External use
- Remote Drivers
- Fully Dimmable

Features

- 25mm x 25mm profile dimensions
- 2200K > 5700K
- 80 or 90 CRI
- 3439 Lumens per metre
- 28W per metre
- 168mm - 2552mm lengths available
- Black, Silver anodised, custom
- Fixed or adjustable brackets
- Cowl option
- Pre-assembled with factory fitted tail and connector
- IP66
- Drivers up to 50m away

Electrical Information

Lumen Output (lm/m) based on 15° 4000K 3439

Power (W/m) 28

Technical Information

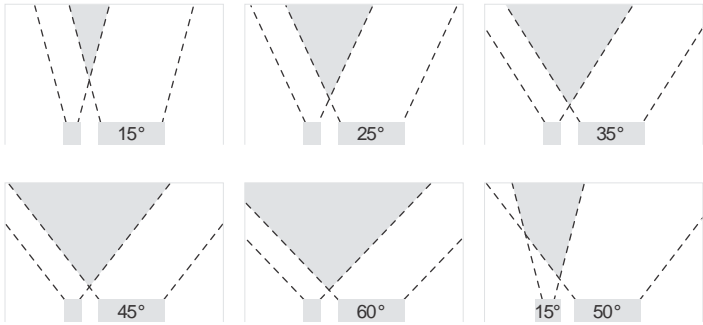
CCT	2200K • 2500K • 2700K • 3000K 3500K • 4000K • 5000K • 5700K
CRI	>80 • >90
Control	Switched • 0-10V • DALI • Phase Casambi
Binning	3 Step MacAdam
LEDs Per Metre	30
Beam Angles	15° • 25° • 35° • 45° • 60° • 15°x50°
Lifetime @ LM80	50,000hrs @ 25°C
Operating Temp	-25°C to 55°C
IP Rating	IP66
Di user Material	Clear Polycarbonate
Finish	Silver Anodised Aluminium Black Anodised Aluminium Custom Anodised
Mounting	Fixed or Adjustable Brackets



DISTRIBUTED BY
Wired 4 Signs USA
+1 (865) 339 4956
info@w4susa.com
7669 Clinton Highway,
Powell, Tennessee, 37849

UNIFORM LINEAR

Beam Angles



Product Code

FOR3-1-2-3-4-5-6

Create your product code by choosing your specification from the product areas below.

Example Codes

FOR3-827-35-S-C-A1-1875

FOR3-957-1550-C-C-F1-2552

1 CCT / CRI (Colour)

2200K **722** Only available in 70CRI

2500K 825	3500K 835	5000K 850
2700K 827	4000K 840	5700K 857
3000K 830		

2 Beam Angle

15° 15	35° 35	60° 60
25° 25	45° 45	15°x50° 1550

3 Finish

Silver Anodised	S
Black Anodised	B
Custom Anodised	C

4 Cowl

Yes	C
No	X

5 Brackets

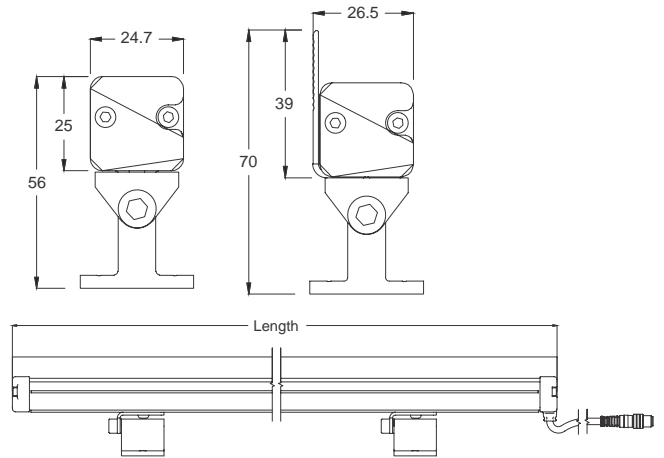
Flush Mount	F0	XXXXmm	XXXX
Flat Fixed	F1		
Adjustable	A1		
Bespoke	B		

6 Length

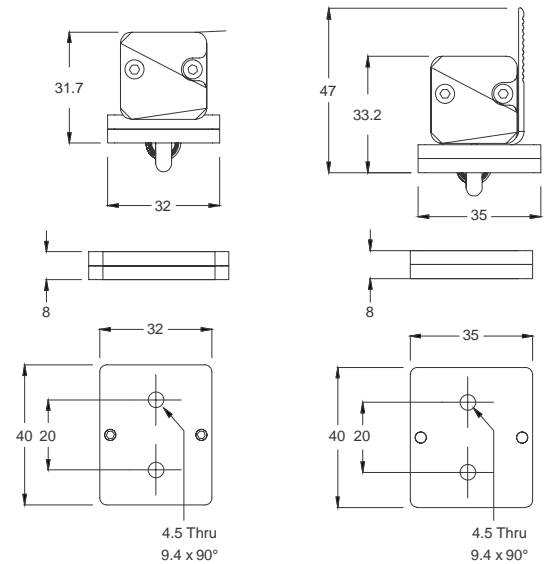
Fortis 3 fittings are provided with a 300mm cable with male plug connector. Extension cables with female socket connector must be purchased separately with the below product codes.

M12, 2 core, PUR 10000mm cable **CA040**

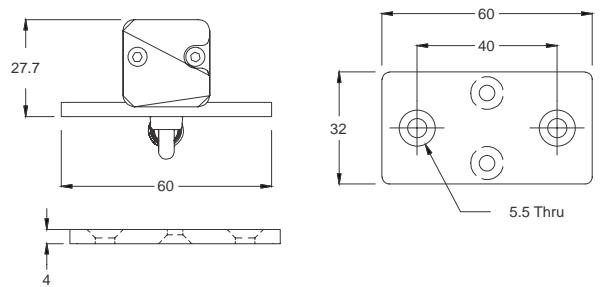
Specification Drawings



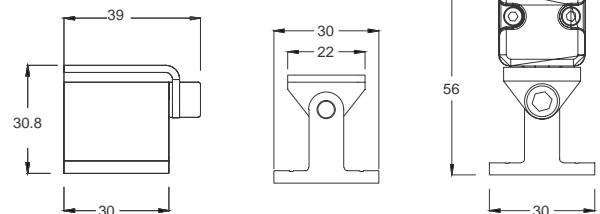
Flush Flat Bracket F0



Simple Flat Bracket F1



Adjustable Bracket A1



FOR3-0722

Complies with EN60598-1 and pertinent regulations

Specifications are subject to change without prior notice. Please refer to our website for most up to date version.



Contact our sales team for further assistance

0113 263 9039

sales@kempslighting.com

kempsarchitecturallighting.com



Wired 4 Signs USA +1 (865) 339 4956 info@w4susa.com 7669 Clinton Highway, Powell, Tennessee, 37849