

FLOOR8K

- recessed floor profile
- high abrasion resistance, resistant to user
- possibility of waterproof
- with high humidity, please use waterproof tape outline
- optimal height for installation in standard tiles or floor panels



tile-in



240
P/m

for continuous line of light



max 8 mm




architectural



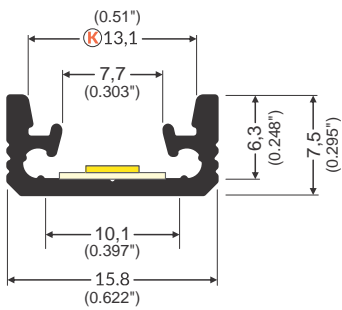
more
information



 TOPMET® Ostrowska 354, 61-312 Poznań, POLAND www.topmet.pl

* Parameters tolerance +/- 7%

Wired 4 Signs USA +1 (865) 339 4956 info@w4susa.com www.w4susa.com 7669 Clinton Highway, Powell, Tennessee, 37849



In high humidity conditions
use waterproof LED strip and silicone seal

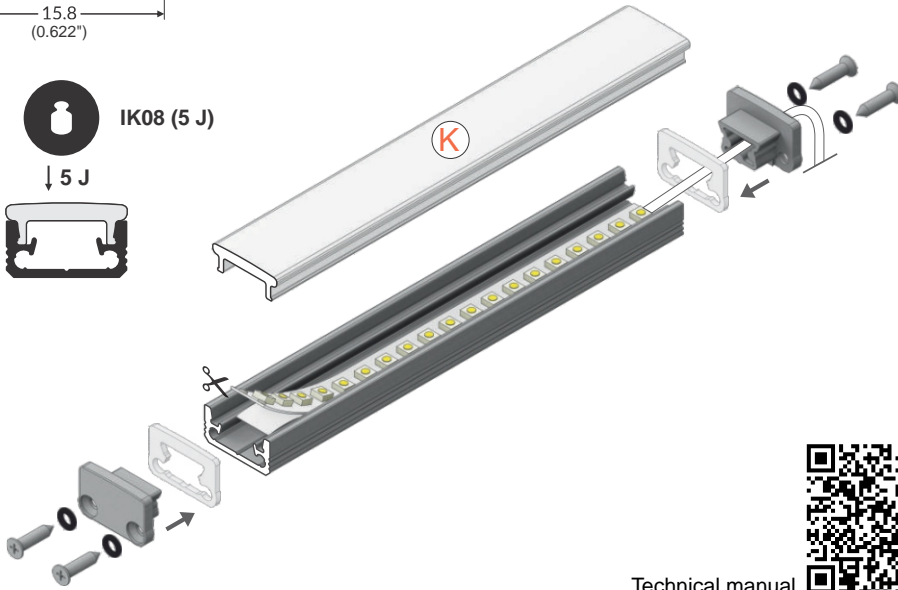


di user K click



IK08 (5 J)

↓ 5 J



Technical manual



anodized

1000 mm	LED-G6000120
2000 mm	LED-G6000220-2
3000 mm	LED-G6000320-3
4050 mm	LED-G6000420

end cap FLOOR8

sealings for FLOOR8 end caps
2x silicone sealings,
4x rubber o-ring



silver
LED-G6999940

grey
LED-G6999922



LED-G6999800S

