

FLOOR12 K/U

- recessed floor profile
- high abrasion resistance, resistant di user
- possibility of waterproof
- with high humidity, please use waterproof tape



max 12 mm



120
LED/m

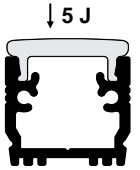
For continuous
line of light

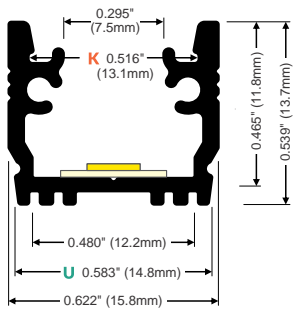


Tile-in



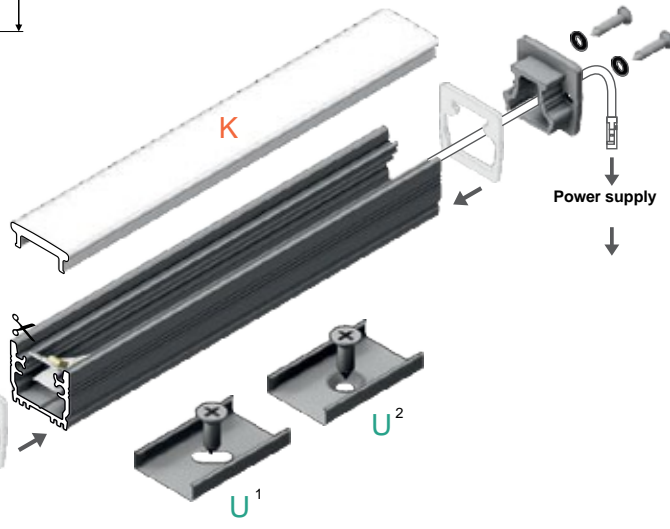
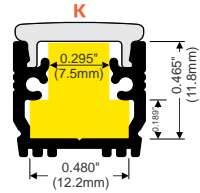
IK08 (5 J)



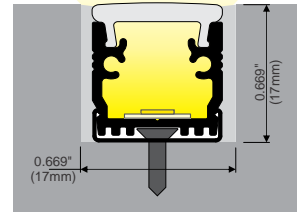


In high humidity conditions use waterproof tape and silicone seal

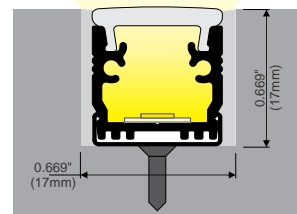
K K click di user



U¹
U flexible mounting plate



U²
Cone U flexible mounting plate



Anodized

LED-B1020020P

Standard length 2000 mm

FLOOR12 end cap
material: ABS



Silver
LED-B1940040
Grey
LED-B1940022

FLOOR12 end cap
With hole
material: ABS



Silver
LED-B1960040
Grey
LED-B1960022

sealings for
FLOOR12 end caps
2x silicone sealings
4x rubber o-ring



LED-G6999800S

