

led profile by Luz Negra

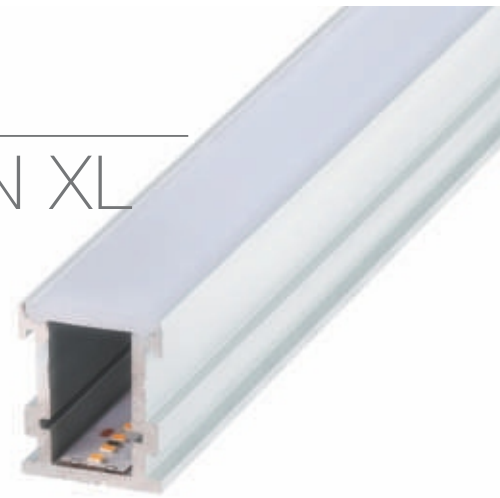
Our PROFESSIONAL led profile series, treadable for indoor and outdoor use, is manufactured in high purity aluminium and available in anodised silver. Suitable for illuminating stairs and floors, such as gardens, bathrooms, corridors, balconies, and others.

Its "easy-ON" cover, when combined with this profile, provides an IP65 rating. Therefore, it can be used in places with high levels of humidity, while also being highly resistant to treading. This profile and its covers are available in lengths of 3 metres, allowing us to carry out large projects where all the profiles do not need joints. Suitable for led strips with a maximum width of 12mm and a power not greater than 30W/m. When installed under conditions of high humidity, we suggest filling it with epoxy resin in order to achieve an IP67 rating (a 2mm thick layer on top of the led strip). We offer a 10 year guarantee on the profiles and a 4 year guarantee on the covers.

DUBLIN XL

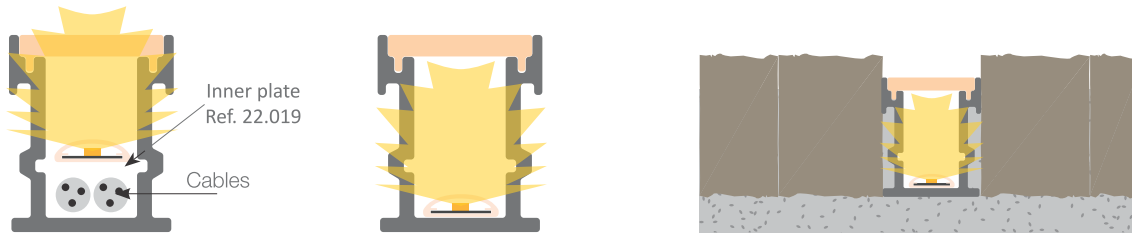


IP65



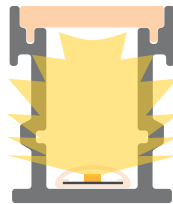
Scale 1:1

In order to be able to waterproof approx 8-10 metres of DUBLIN XL led profile we would need these quantities of both resin and catalyst.



Aluminium profile

07.016 anodised silver 2m
07.003 anodised silver 3m



Plastic endcaps

19.117 with hole
19.118 without hole



Epoxy resin

22.018 1 Kg
+ 1 catalyst of 400g



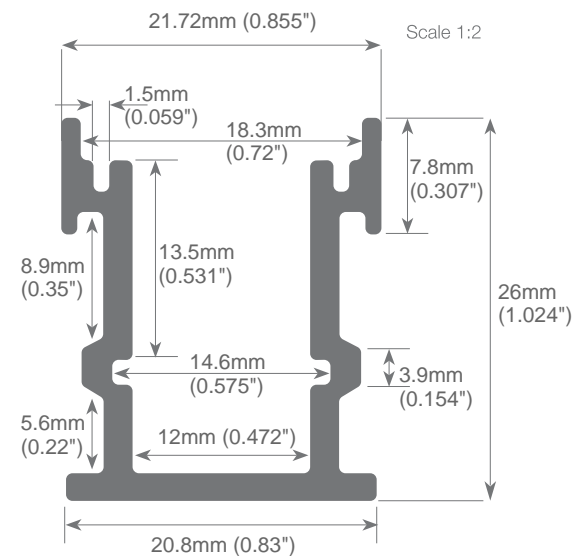
Polycarbonate cover IK10

18.159 opal 2m
18.053 opal 3m



Inner plate

22.019 aluminium 2m
(2000x14x0.75 mm)



Patente Europea
Nº.: 13156605.1

Aluminium alloy extrusion process in accordance with: ISO 9001:2008 - ISO 14001 / Tolerances defined by: UNE-EN 755-9 / UNE-EN 12020-2
Theoretical weight: 0.480 kg / Alloy: 6063 / Perimeter: 176,4 mm / Anodising minimum: 15 microns
Aluminium purity: 95-98% / Material treatment: T-5 / Covers: Fireproof V0

www.luznegra.net



UNIFORM LINEAR

DISTRIBUTED BY
Wired 4 Signs USA
+1 (865) 339 4956
info@w4susa.com
7669 Clinton Highway,
Powell, Tennessee, 37849

www.ledprofile.es