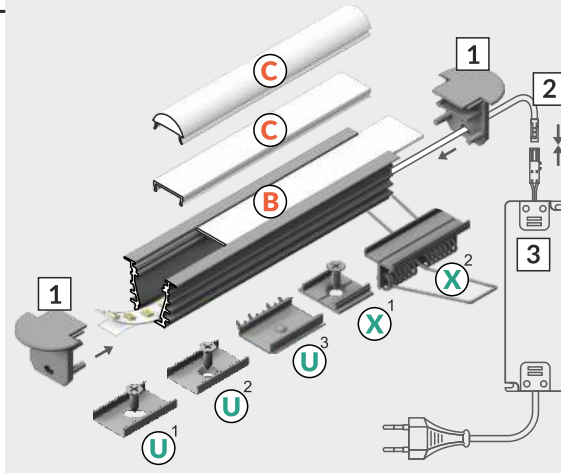
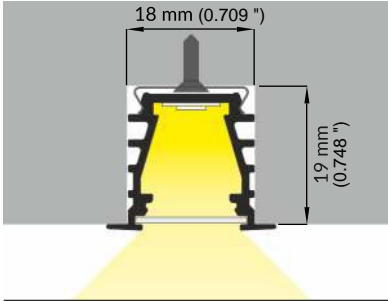
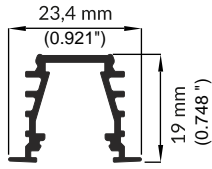


DEEP10 BC/UX

RECESSED PROFILE



max
10 mm



- B** B slide cover
- C** C click cover
- C** C lens click cover
- 1** DEEP10 ending with hole
- 2** power supply cable
- 3** LED power supply
- U¹** U flexible mounting plate
- U²** cone U flexible mounting plate
- U³** rack U flexible mounting plate
- X¹** X mounting plate
- X²** spring X mounting plate



scissors



hacksaw



pliers



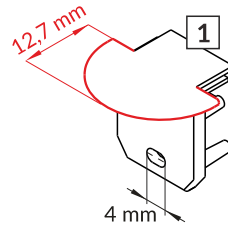
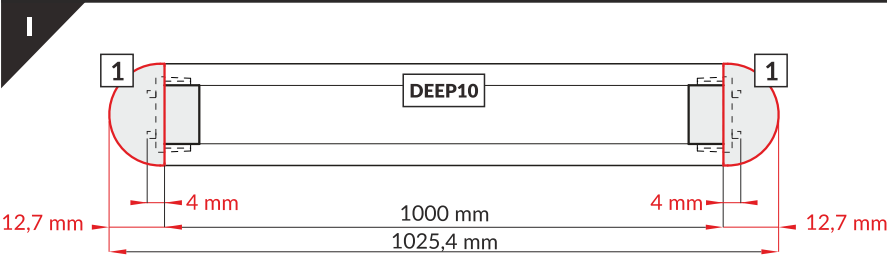
soldering iron



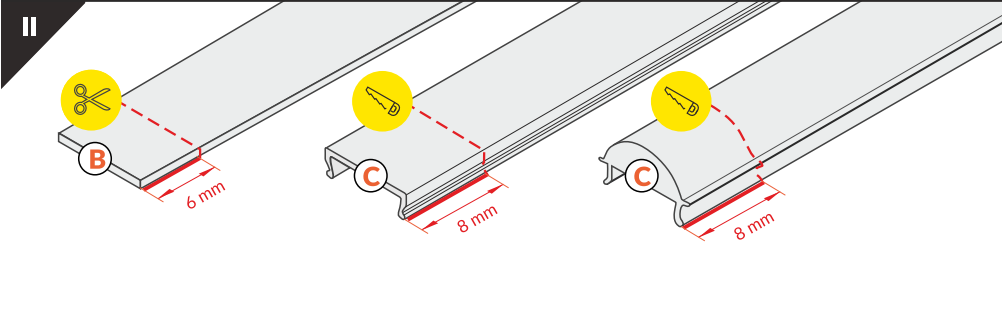
solder



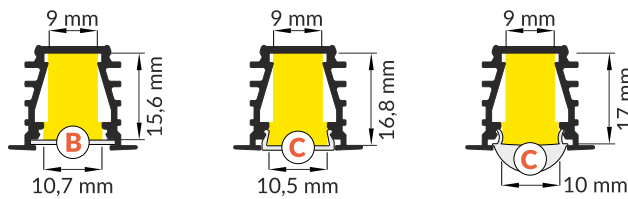
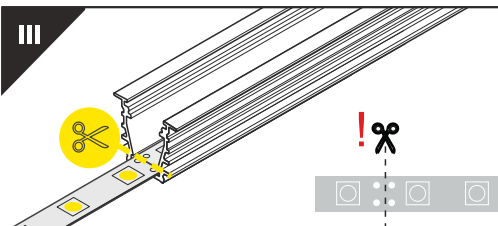
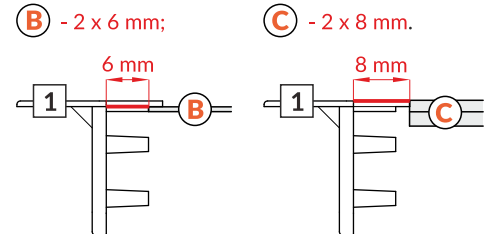
glue



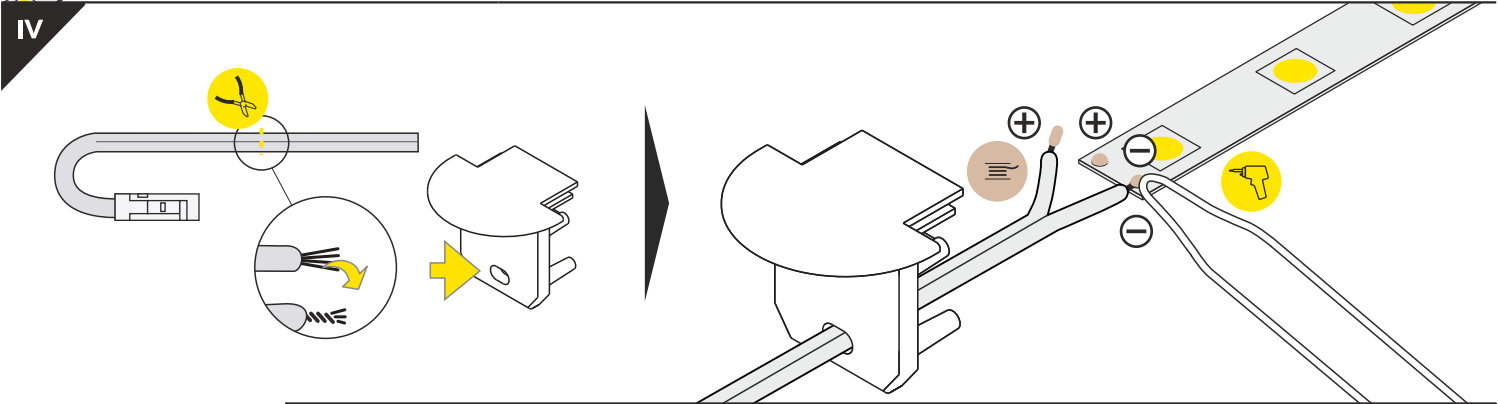
Note! Ending thickness increases the length of the luminaire (+ 2 x 12,7 mm) and the length of the mounting space (+ 2 x 4 mm).

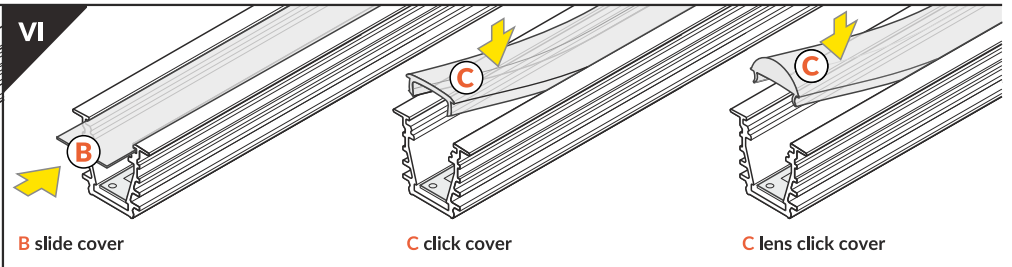
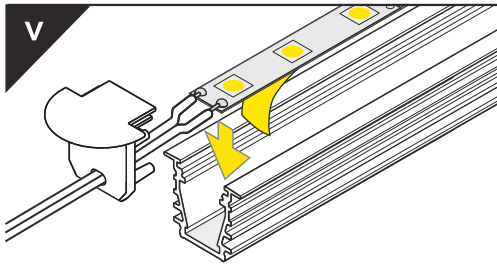


Note! Ending decreases the length of the cover:



Dimensions of the space to install LED source.



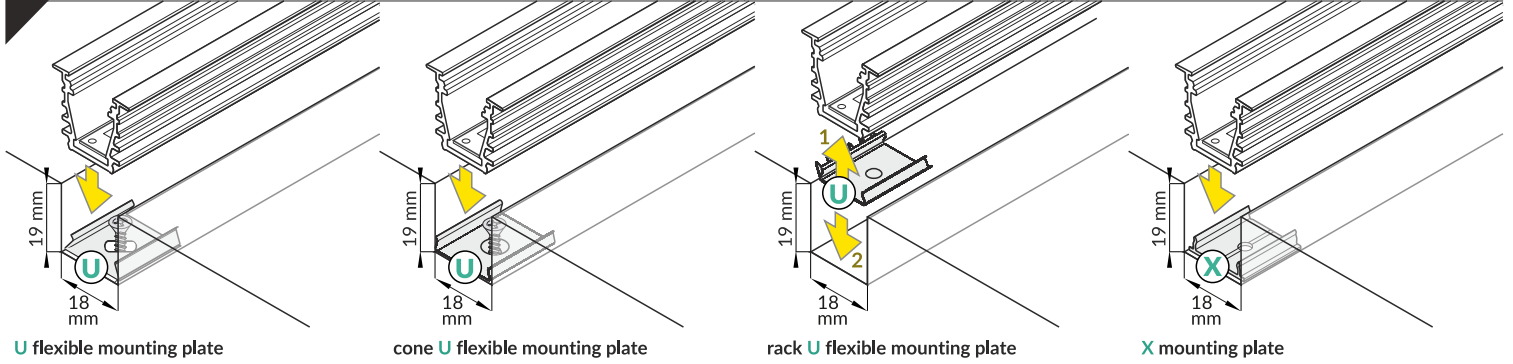


B slide cover

C click cover

C lens click cover

VII MOUNTING

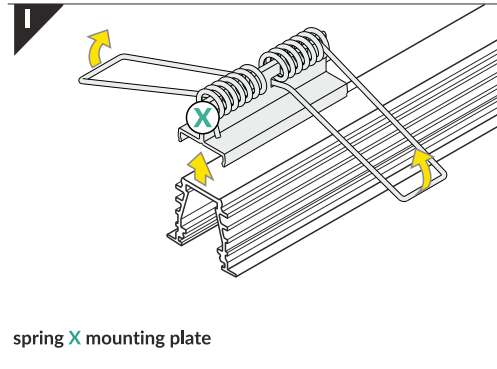


U flexible mounting plate

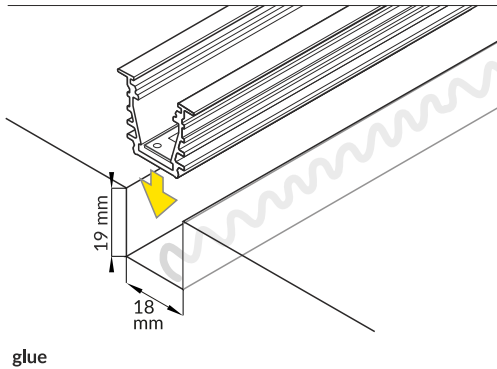
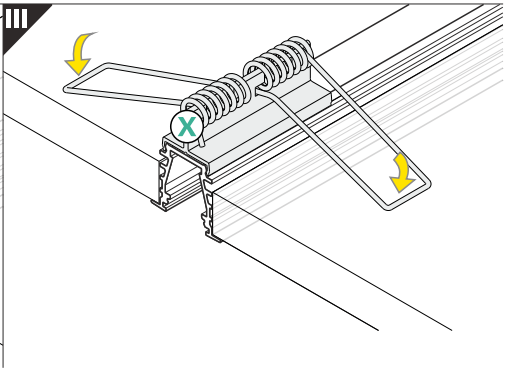
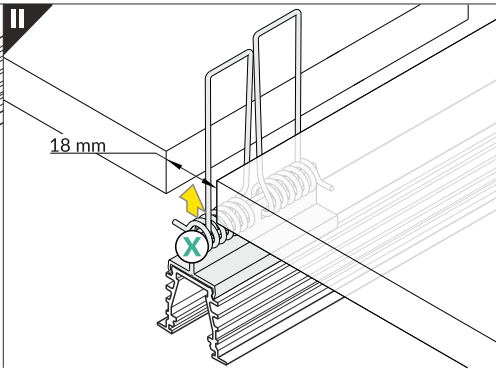
cone U flexible mounting plate

rack U flexible mounting plate

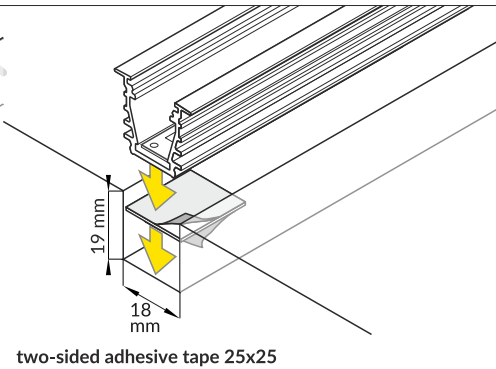
X mounting plate



spring X mounting plate

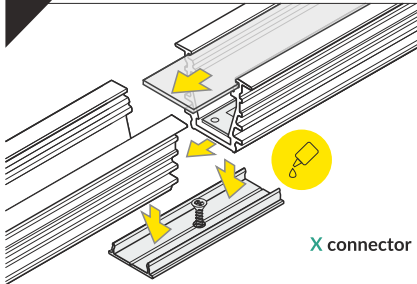


glue

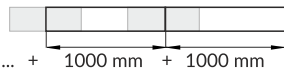


two-sided adhesive tape 25x25

VIII CONNECTORS



X connector



Note! X connector may be used to make extra long profiles by connecting multiple profiles.

