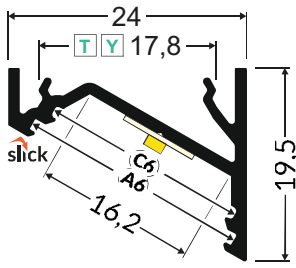
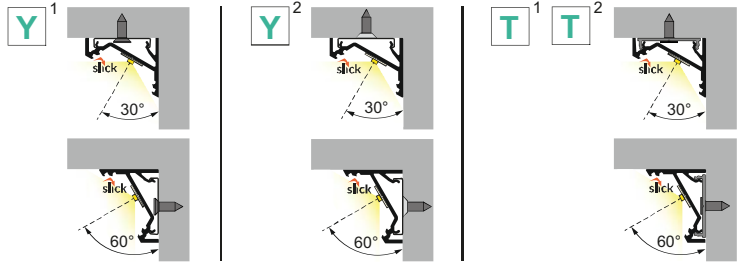




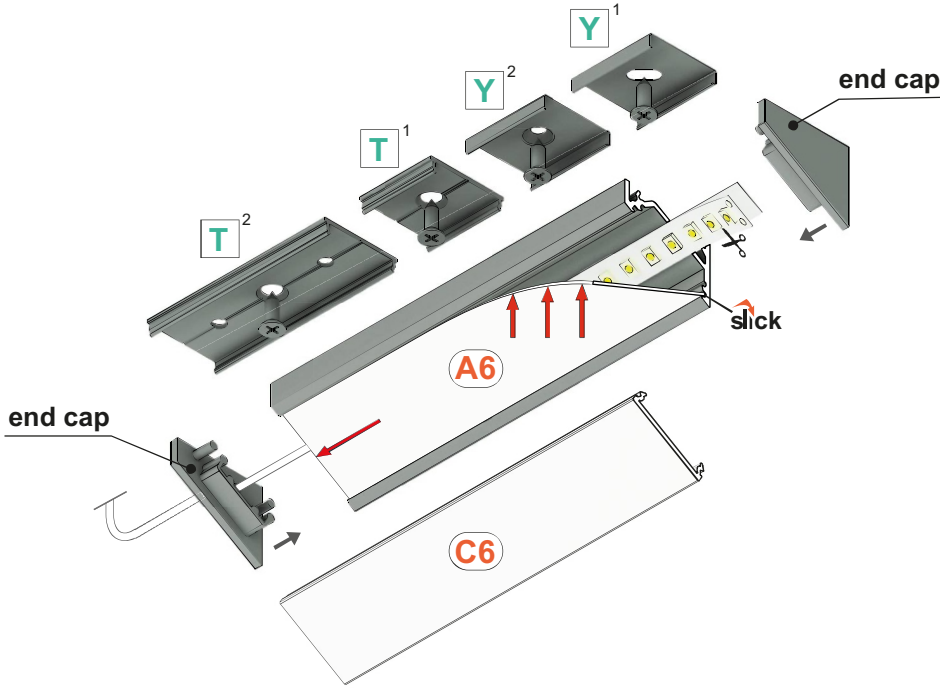
1 DIMENSIONS



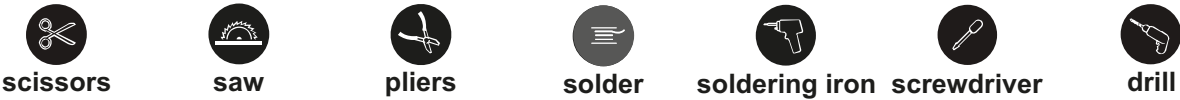
2 MOUNTING



3

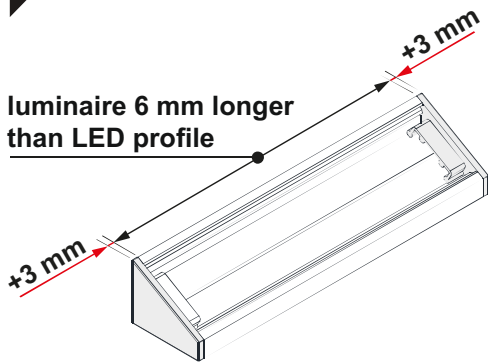


- Y¹** mounting plate Y
- Y²** mounting plate Y cone
- T¹** mounting plate T
- T²** connector T 180 deg
- A6** diffuser A6 slide
- C6** diffuser C6 click

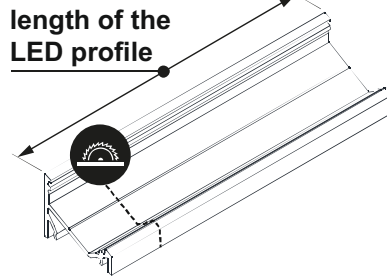


LENGTHS

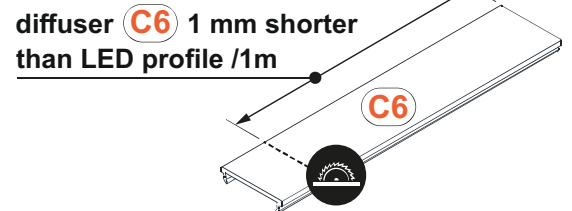
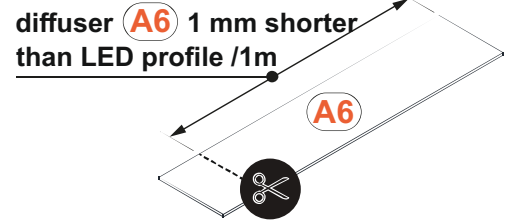
4.1



4.2

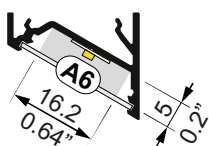


4.3

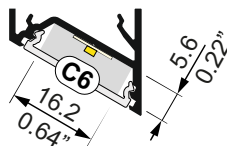


DIMENSIONS OF THE SPACE TO INSTALL LED SOURCE

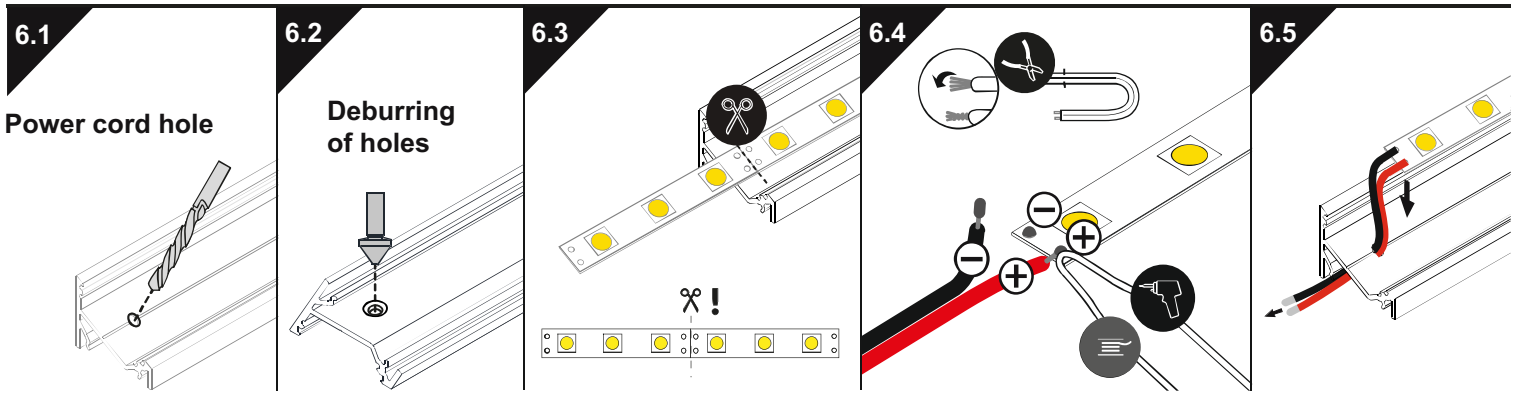
5.1



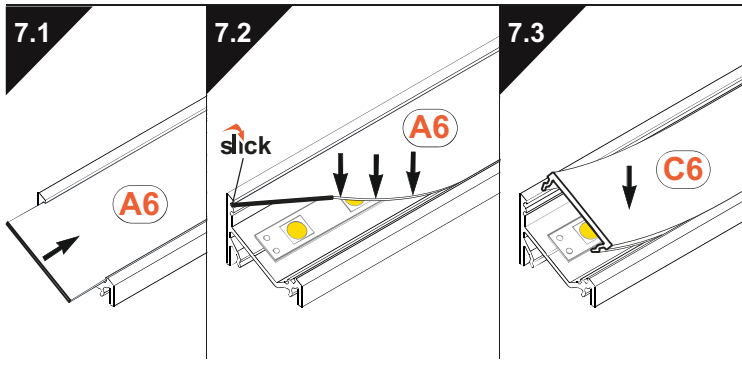
5.2



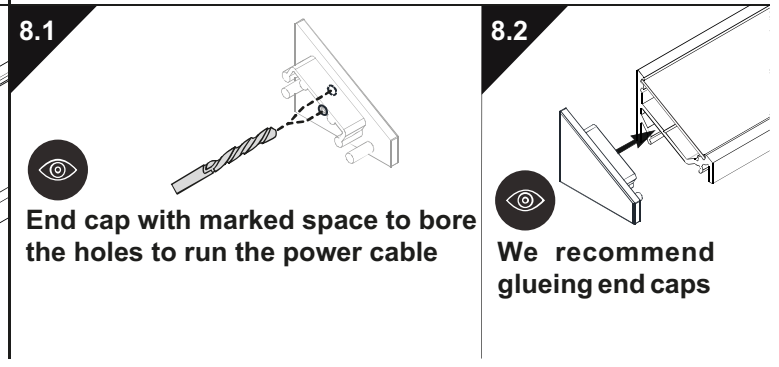
MOUNTING OF THE LED SOURCE



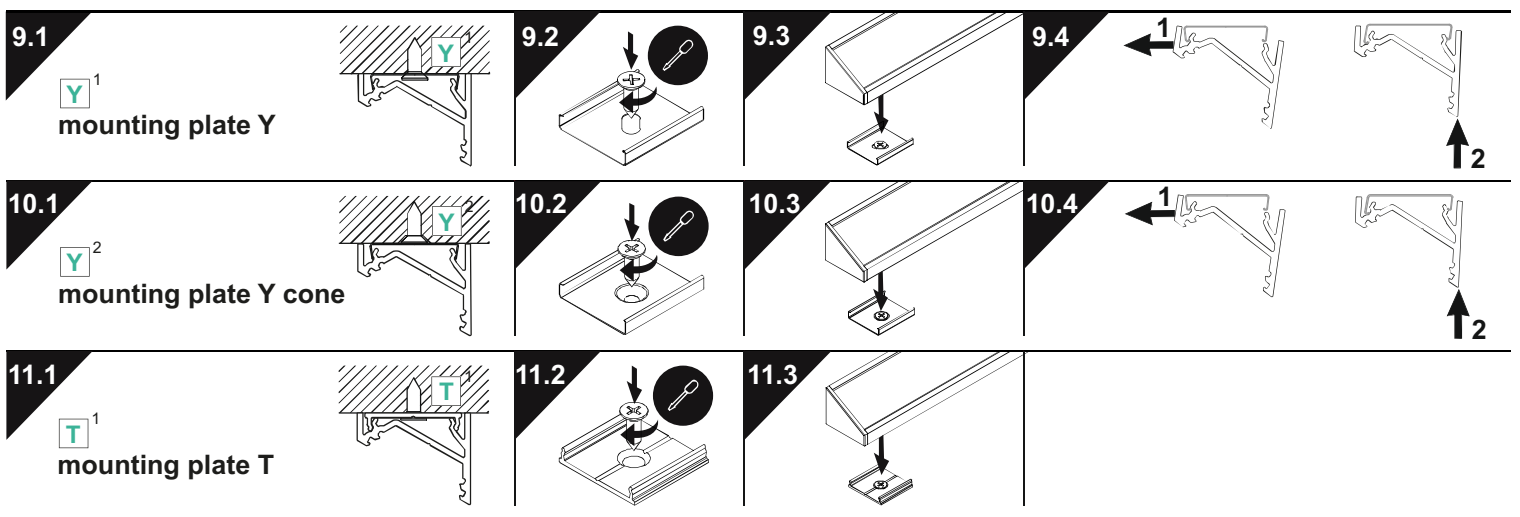
MOUNTING OF THE DIFFUSERS



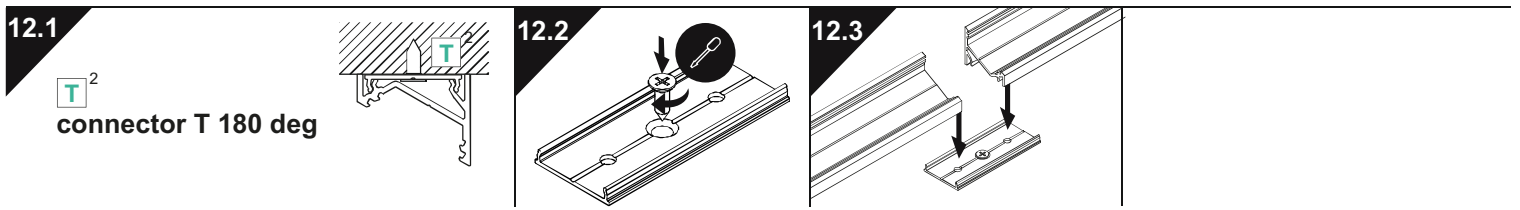
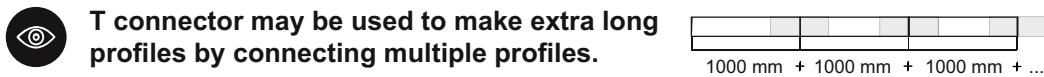
MOUNTING OF THE END CAPS



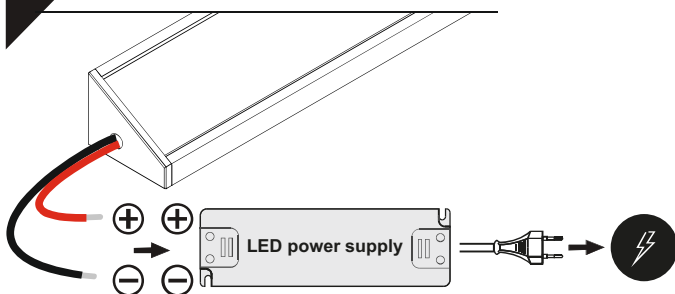
MOUNTING



CONNECTORS



13 POWER SUPPLY



DISTRIBUTED BY
 Wired 4 Signs USA
 +1 (865) 339 4956
 info@w4susa.com
 7669 Clinton Highway,
 Powell, Tennessee, 37849

UNIFORMLINEAR

TOPMET Light Kłosowicz Wiśniewski Sp. z o. o.
 Ostrowska 354 | 61-312 Poznań | POLAND
 tel.: +48 61 872 75 00 www.topmet.pl

