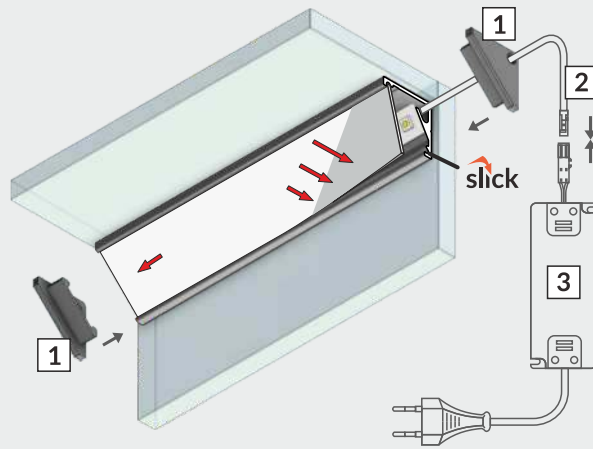
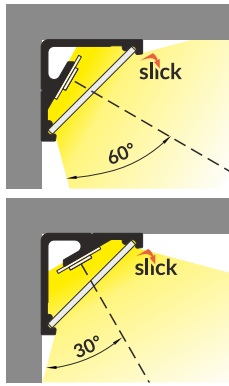
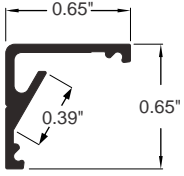













# Corner mount LED strip Channel

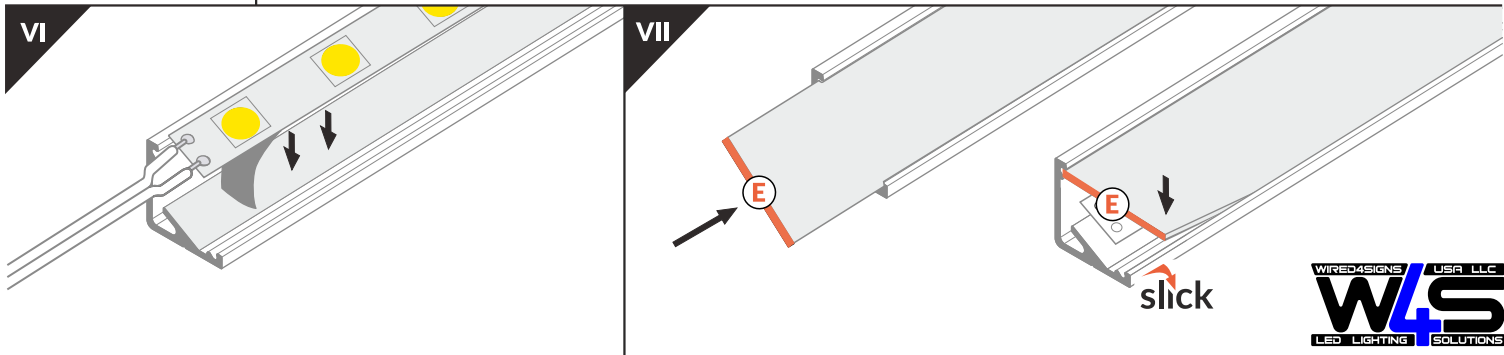
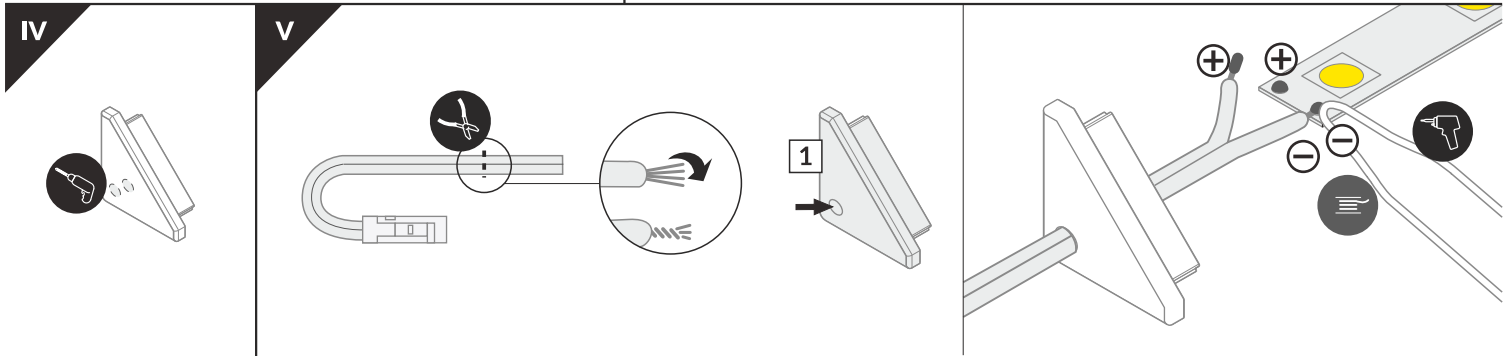
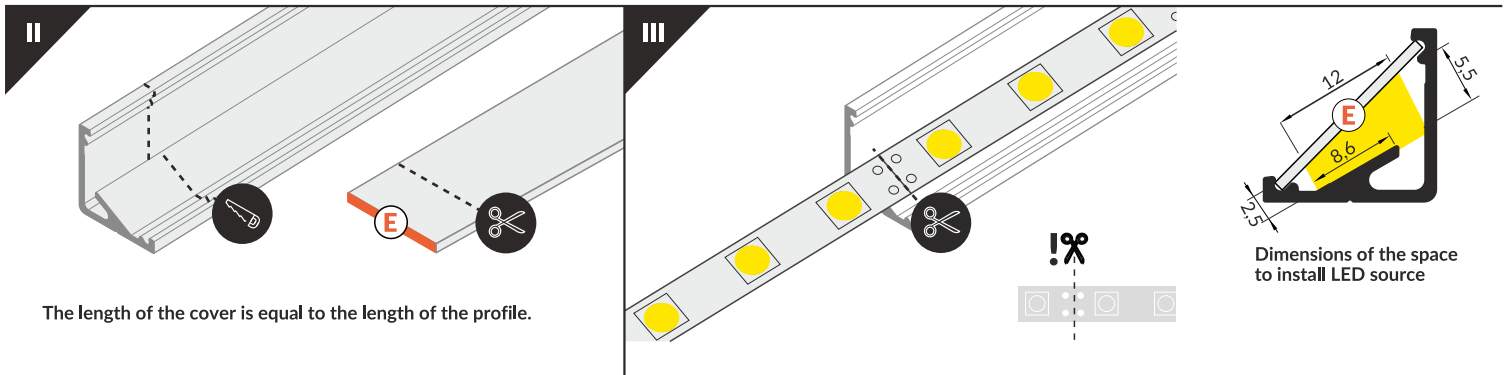
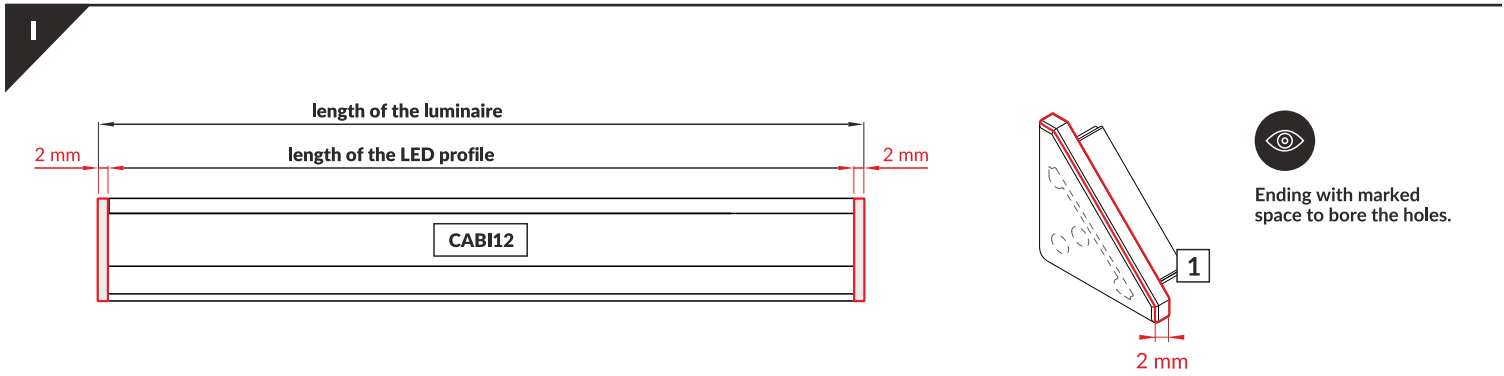
CABI12 E

 max 12 mm LED strip

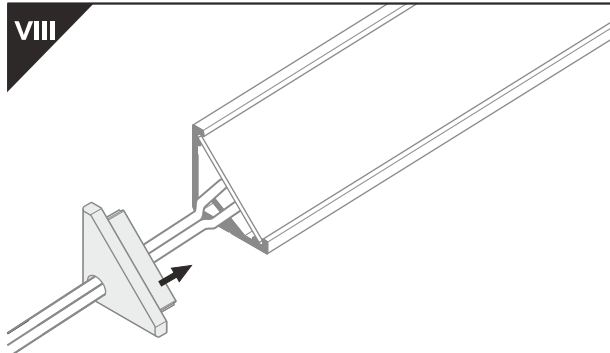


-  E slide cover
-  1 CABI12 ending
-  2 power supply cable
-  3 LED power supply

-  scissors
-  hacksaw
-  pliers
-  solder
-  soldering iron
-  glue
-  drill

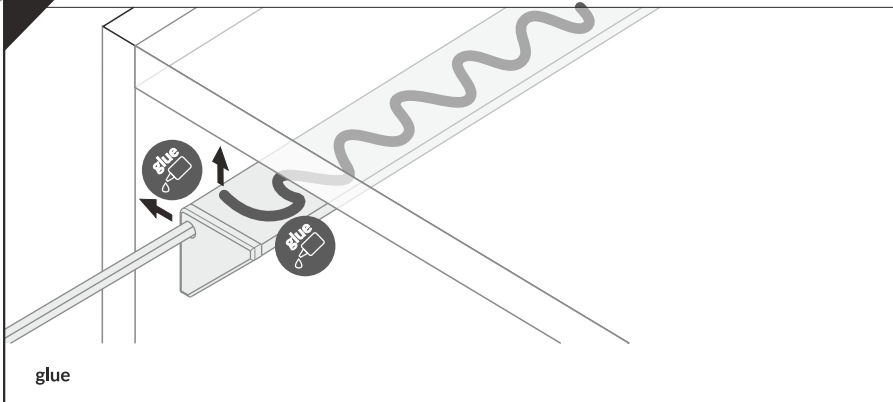


VIII



IX

MOUNTING



X

