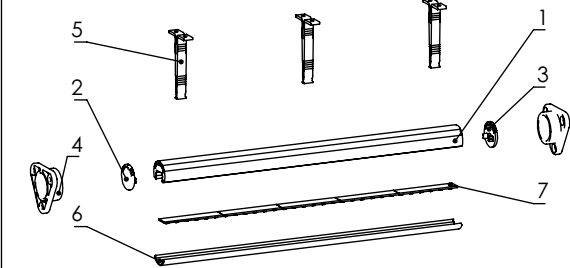


ALU-ROUND (with MC-R2 and MC-R3)



Nr	Code	Comments	Quantity
1	AL-RO	1, 2 or 3[m]	1
2	EC-R3	end cap (not use with MC-R2)	1 per 1 luminaire
3	EC-R4	end cap with cable hole (not use with MC-R2)	1 per 1 luminaire
4	MC-R2	closet mounting bracket	2 per 1 luminaire
5	MC-R3	intermediate mounting bracket	per 1 meter
6	AB-RO-K/L/MK	diffuser 1, 2 or 3[m]	1
7	10x195 PCB with 5060 LEDS	LED	

1

Use thermally conductive tape

2

NOT USE WITH MC-R2

3

4

Connect power cable

5a Option 1 with MC-R2

wardrobe

Connect power cable

PSU

without end cups

MC-R2

made power hole ~ Ø 6[mm]

max screw 3.5[mm] (0.138'')

3 x Ø 4[mm] (5/32'')

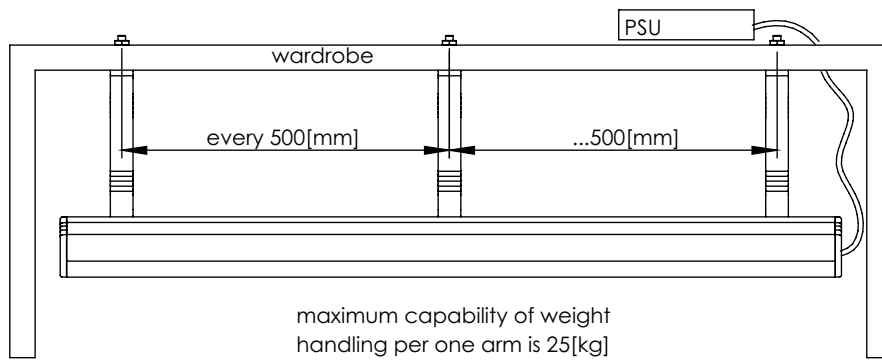
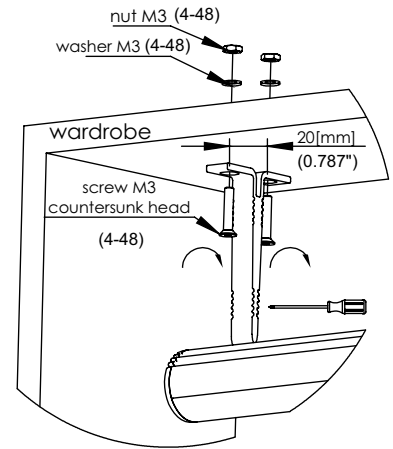
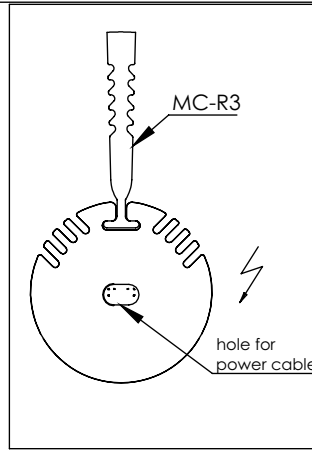
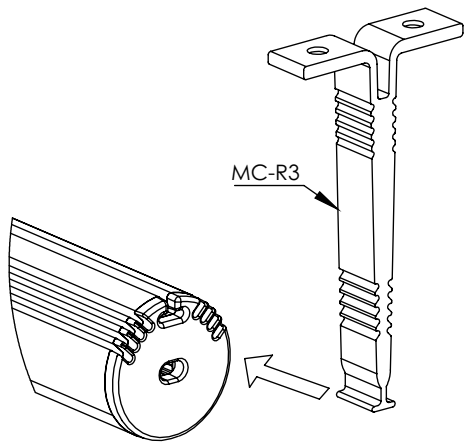
Ø 41[mm] (1.614'')

wardrobe

max 500[mm] (19.685'')

maximum capability of weight handling per one arm is 25[kg](55lb)

5b Option 2 with MC-R3



5c Option 3 with MC-R2 and MC-R3

