

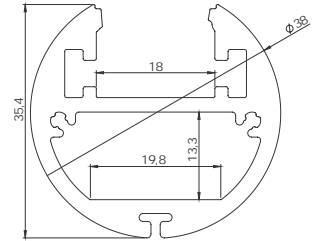
ALU ROUND 38 LED CHANNEL

ø38 mm

AL-RO38
 AB-SLW



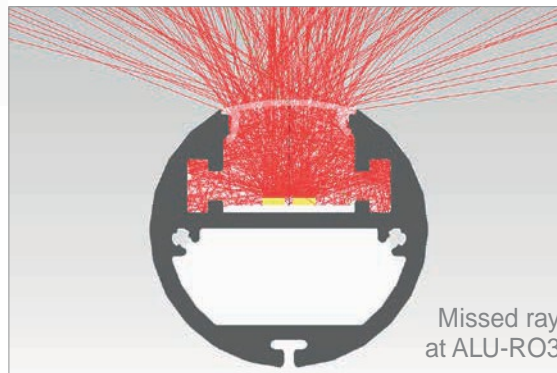
It is a high quality, rigid and a very solid round profile made of anodized aluminum designed to be used with LED light sources. Thanks to a suitably designed shape, the profile can be safely used with high power LED strips (36W/m). The shape guarantees high stiffness and its weight (1.1 kg/m) ensures perfect heat dissipation & cooling. Depending on the place of application, we offer our clients three types of UV-resistant and damage to the lenses: matte, transparent and 50% matte. Additionally, we developed solid, anodized aluminum mounting brackets giving opportunity to use profile as illuminated frame, hanger in wardrobe, etc. Moreover, ALU ROUND 38 can be used as hanging lighting, artistic lighting, shop lighting Or simply as internal lighting.



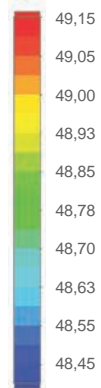
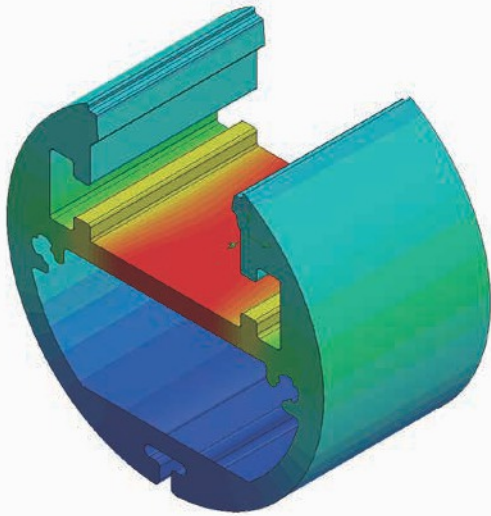
AL-RO38
 AB-SLW
 LC-LIN



Aluminum end caps
 EC-RO38

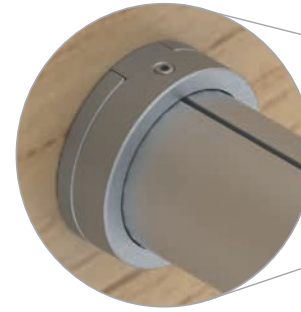


* Parameters tolerance +/- 7%

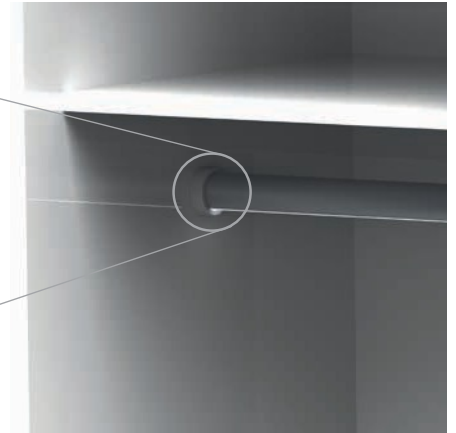


Temperature (Solid) [°C]
 Temperature ambient: 25°C
 Total power: 36,2W/m (72 LEDs)
 LED stripe: 17-DURIS
 Installation mode for test purpose: pendant

Installation of the Alu Round 38 profile in the Wardrobe

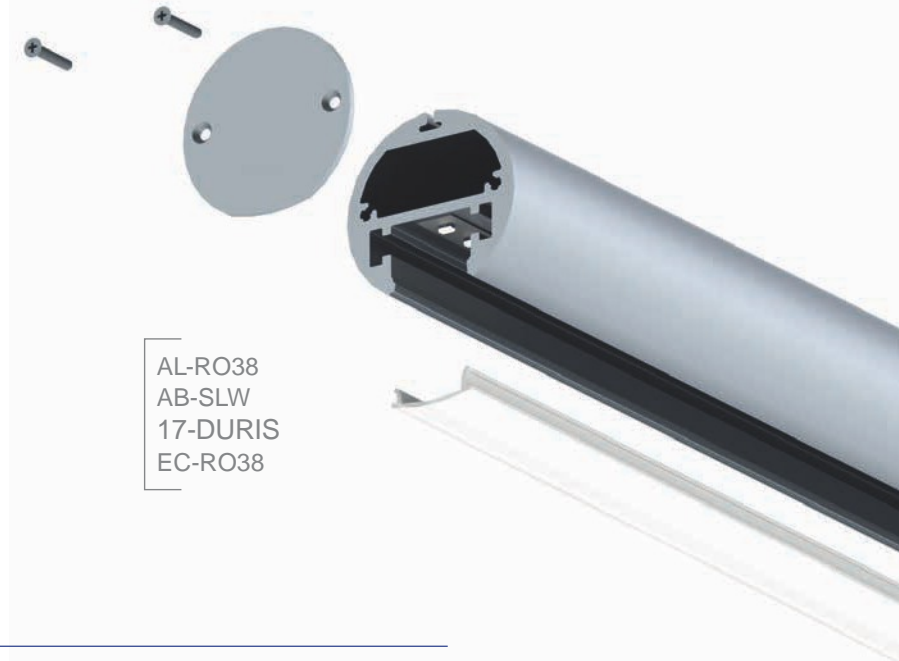
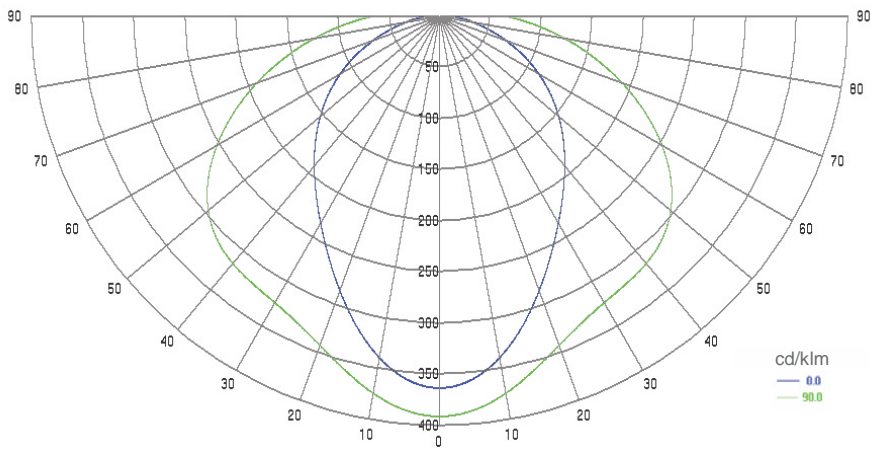


MC-RO38



Alu Round 38 Accessories

Polar Candela Distribution Plot Using Missed Rays



AL-RO38
 AB-SLW
 17-DURIS
 EC-RO38

* Parameters tolerance +/- 7%