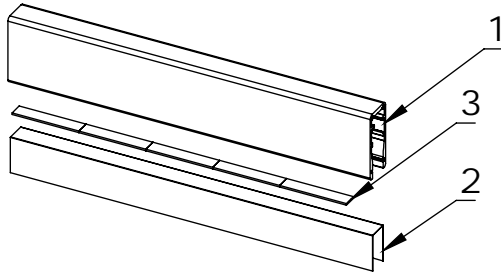


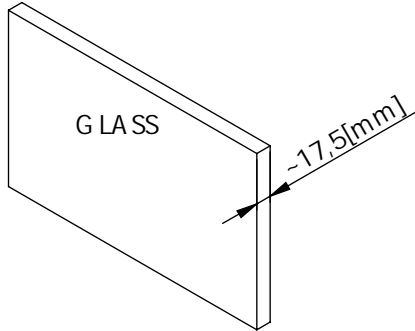
Instruction for mounting

ALU-GLASS HAND RAIL

Nr	Code	Comments	Quantity
1	LED-AL-GLS	1, 2 or 3[m]	1
2	LED-GA-TRA	silicone gasket 1[m]	
3	LEDs		

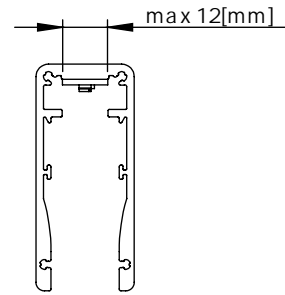


1

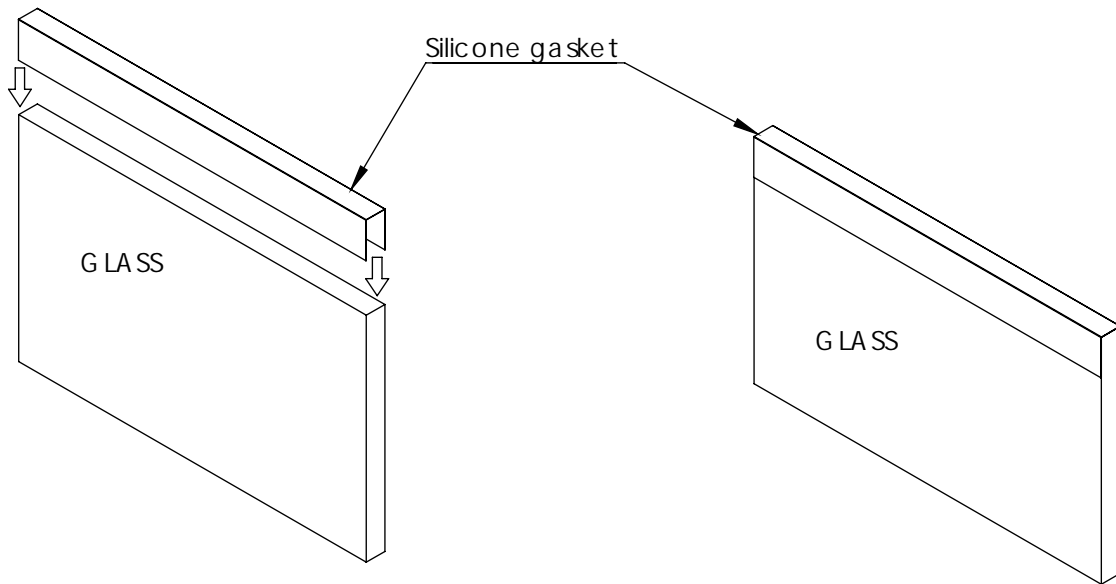


2

Use thermally conductive tape
Connect power cable



3



4

