

# Alphaeus 3

Installation Instructions - Page 1/2



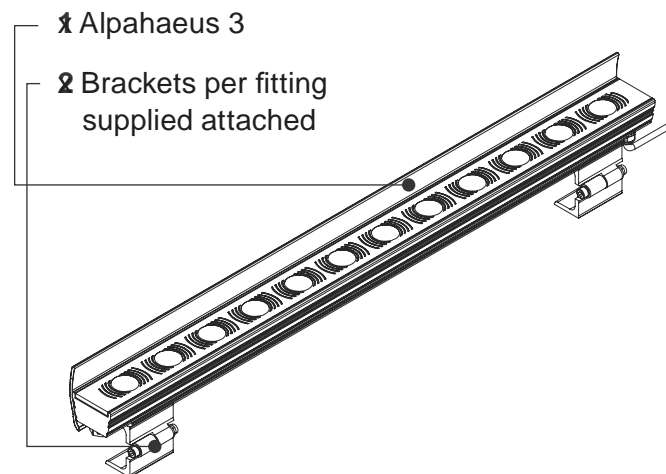
## WARNING

## READ BEFORE INSTALLATION

Installation must be carried out by a qualified electrician only.

- Disconnect power before installing
- Do NOT exceed specified power rating.
- Refer to specification for operating conditions.
- Do NOT connect luminaire directly to mains power. Luminaire must be connected to an LED driver.
- Control system connected to driver NOT, Luminaire.
- Ensure correct polarity of all LED & control connections.
- Disconnect fitting before any maintenance or investigating any faults.
- Do NOT connect fitting to Live Driver.
- Do NOT install fitting under water
- Do NOT clean with high pressure water jets or harsh chemicals
- Do NOT install or turn on if luminaire or connectors are damaged
- All connections must be IP67
- **ONLY CONNECT LUMINAIRE TO POWER SUPPLY WITH MAINS POWER TURNED OFF!**

## Provided



## You will need

### Tools:

Drill

### Fixings:

M6 Fasteners (not supplied)

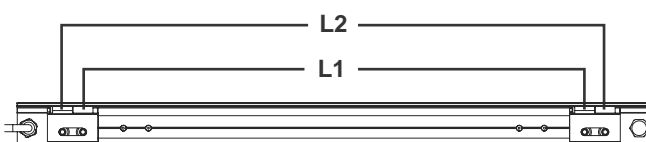
### Additional:

10m Extension Lead (Order Separately)

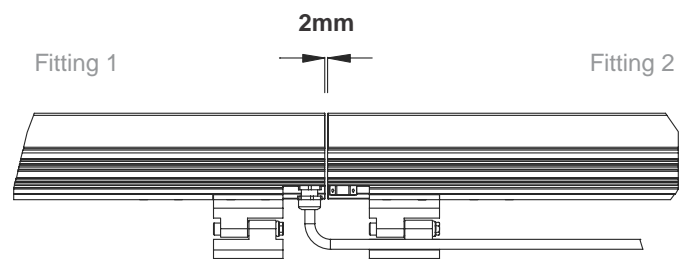
## Dimensions

### 1 Distance between brackets

Fitting Length	L1	L2
627mm	497mm	537mm
927mm	797mm	837mm
1227mm	1097mm	1137mm



### 2 Leave a minimum gap of 2mm between fittings.



# Alphaeus 3

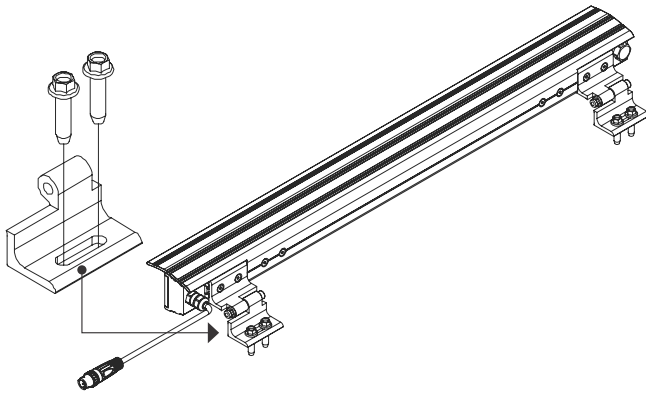
Installation Instructions - Page 2/2



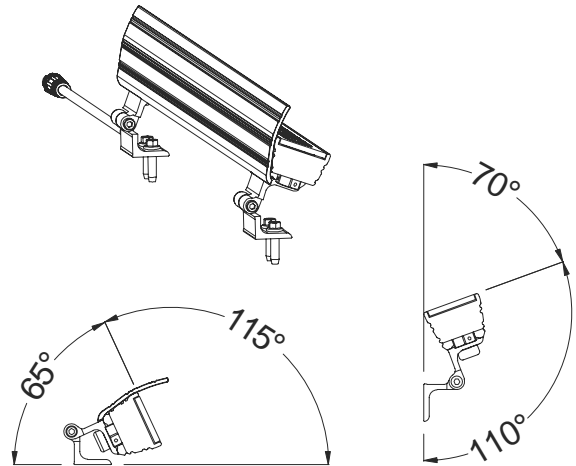
## Surface Mount Installation

- 1** Drill fixing holes in mounting surface. Refer to table for slot locations.

Fix the Alphaeus 3 fitting to the mounting surface.

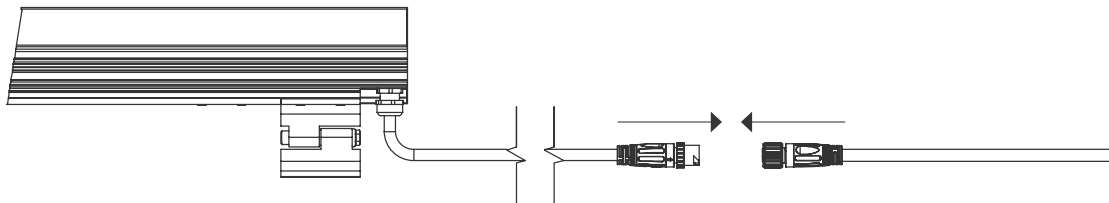


- 2** Set the angle of fitting and tighten bolts



- 3** Connect the luminaire to the driver using an extension lead.

Cut to length if needed (10m Supplied)



**ONLY CONNECT LUMINAIRE TO POWER SUPPLY WITH MAINS POWER TURNED OFF!**



**UNIFORMLINEAR**

DISTRIBUTED BY  
Wired 4 Signs USA  
+1 (865) 339 4956  
info@w4susa.com  
7669 Clinton Highway,  
Powell, Tennessee, 37849

ALP-3-1121



**Contact Us**

0113 263 9039

sales@kempslighting.com

kempsarchitecturallighting.com



Wired 4 Signs USA +1 (865) 339 4956 info@w4susa.com 7669 Clinton Highway, Powell, Tennessee, 37849