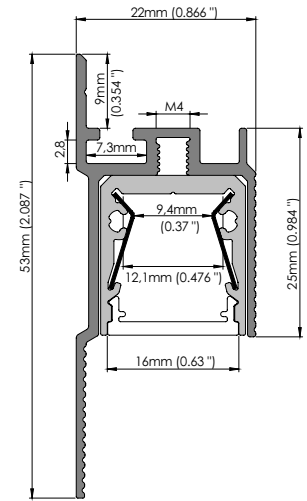


ALU COVE 1 LED PROFILE



High quality base extrusion made of raw aluminum, designed to be recessed into wall. Innovative concept of wall – wall solution, devised to be used together with newest 'SL15 FL' as a slide-in insert. This feature simplified installation, making it two-step process: Using perforated edges, the base is plastered and screwed to a wall & insert profile slides in, secured by M4 thread screw. Additionally, cove profile is suitable for linear connectors allowing to create uniform line of light up to desired length. Together with it come dedicated end caps making it a complete and clean design. All above features provide out-and-out package, able to wash down a wall With homogenous light, without a complicated installation process.



LED-AL-COVE1
LED-AL-SL15 FL
LED-AB-SL15 FL
LED-AL-REF13-B60

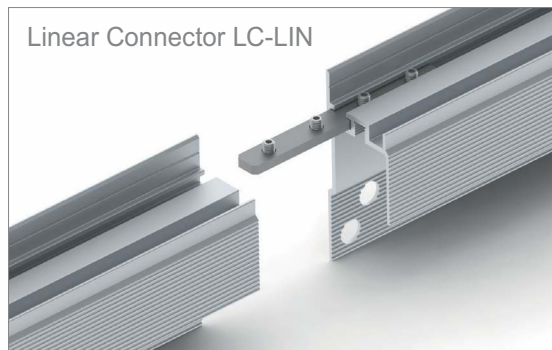
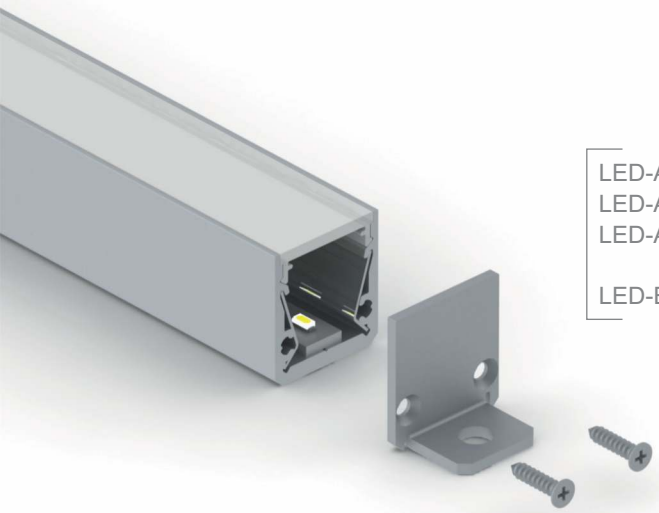


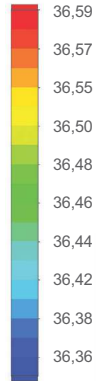
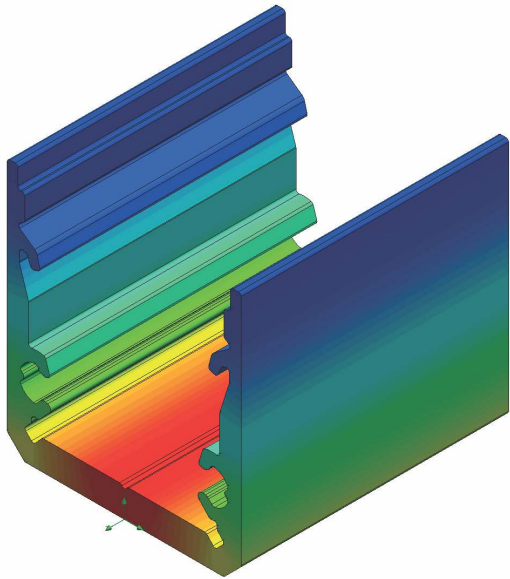
Aluminum end caps
LED-EC-SL15 FL-H1



LED-AL-SL15 FL
LED-AB-SL15 FL
LED-AL-REF13-B60

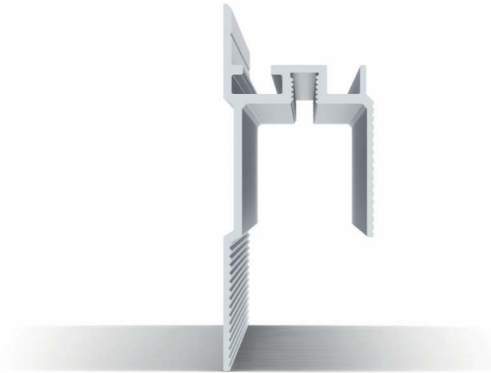
LED-EC-SL15 FL-H1





Temperature (Solid) [°C]
 Ambient temperature : 25° C / 77° F
 Total power: 10 W/m (126 LEDs)

Installation mode for test
 purpose: surface

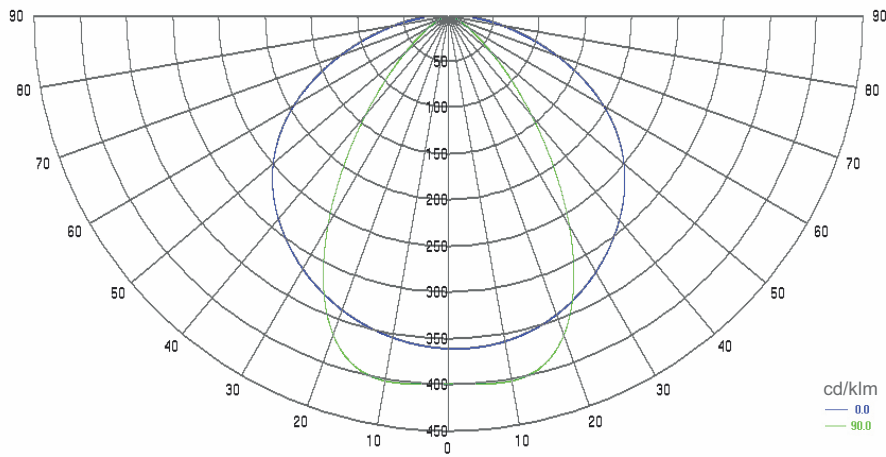


Cross section view of ALU COVE 1

- LED-AL-COVE1
- LED-AL-SL15 FL
- LED-AB-SL15 FL
- LED-AL-REF13-B60
- LED-EC-SL15 FL-H1

Polar Candela Distribution Plot Using Missed Rays

Light distribution diagram with LED-AB-SL FL / with reflector



Light distribution diagram with LED-AB-SL15 FL-L15 / without reflector

